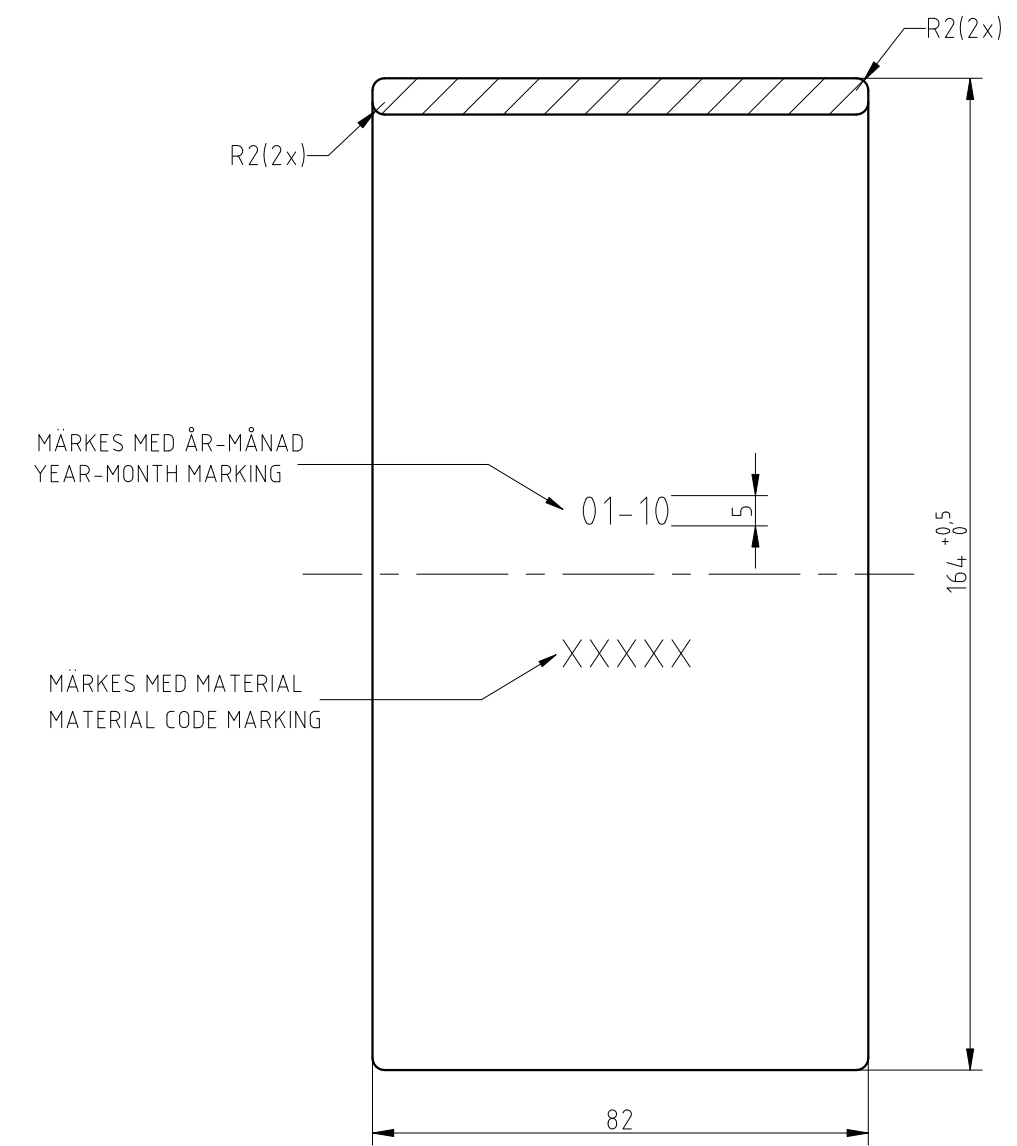
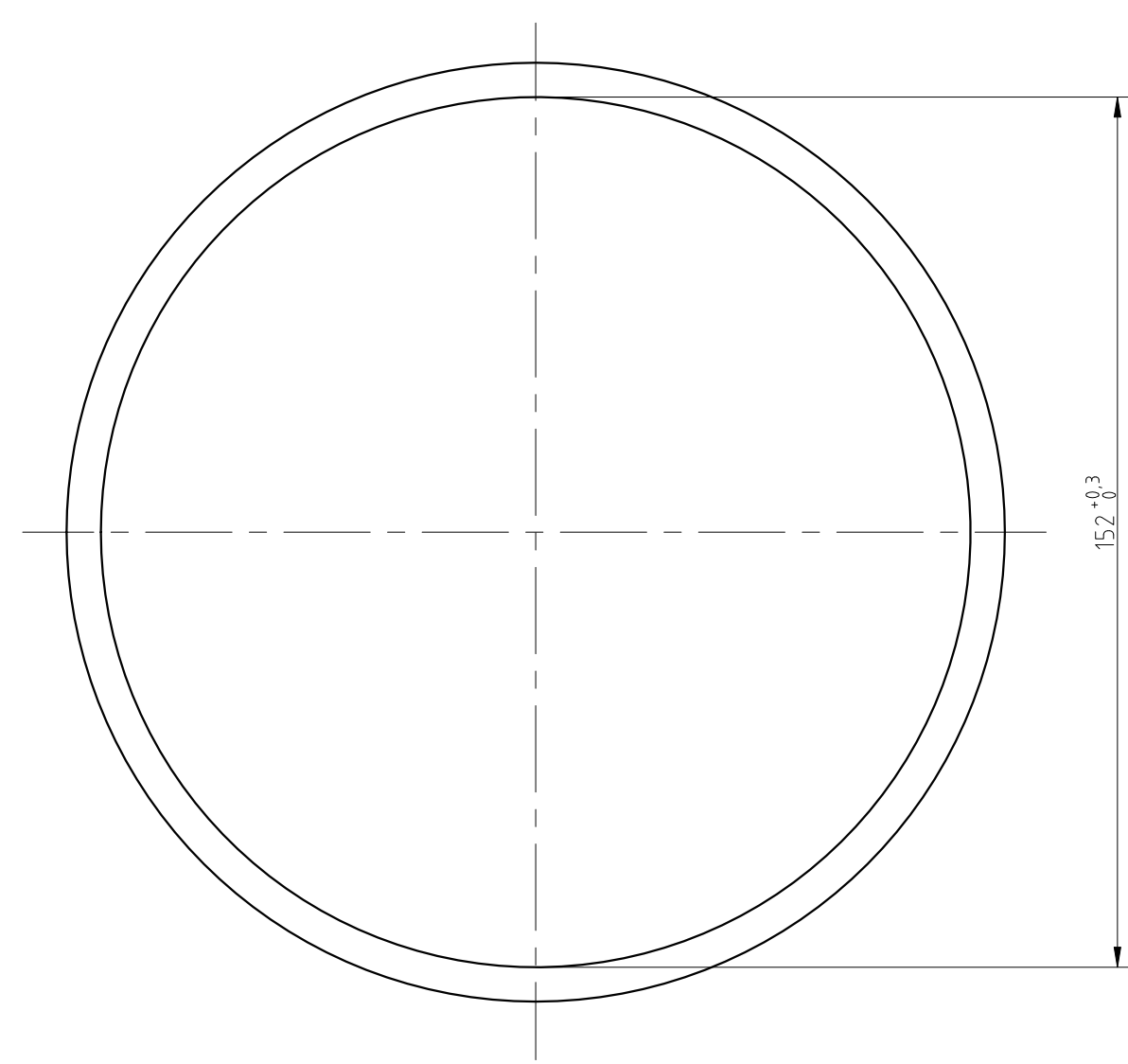


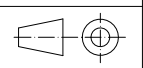
THIS DOCUMENT MUST NOT BE COPIED WITHOUT OUR WRITTEN PERMISSION, AND THE CONTENTS THEREOF MUST NOT BE IMPARTED TO A THIRD PARTY NOR BE USED FOR ANY UNAUTHORIZED PURPOSE. CONTRAVENTION WILL BE PROSECUTED.

Nr No	Orienterings- ruta Orientation square	Ändring eller meddelande Revision or message.	Ändr. v Rev./week	Sign.	Godkänd Approved
B		YEAR-MONTH MARKING ADDED	0143	RH	TF
C		MATERIAL CODE MARKING	0434	BO	TF
D-E		UP-DATED TO CORRECT REV. STATUS.	0746	BO	TF
F		MATERIAL UPDATED	0939	BO	TF
G		CHANGED DESIGNATION AND MATERIAL	1213	AK	TF



WARNING: THIS IS A CERTIFICATE RELATED PRODUCT.
 ANY CHANGES ARE NOT PERMITTED WITHOUT REFERENCE
 TO THE AUTHORIZED PERSON.

Pos nr Pos no	Antal No.	Benämning Title		Best. nr./ Ritn. nr / Dimension / material Order no. / Draw. no. / Material		Note Note	
Ritad Drawn	Kontr. Check.	Granskad Reviewed	Godkänd Approved	Tolerans där ej annat anges Tolerance unless otherwise not stated. ISO 2768m	Smst. nr. Assembly drawing no.	Ersätter Replaces	
BO	AK	TF	TF	Ytjämnhet där ej annat anges Surface finish otherwise not stated. Ra 3,2		Ersatt av Replaced of	
990126	120326	120328	120328			Alla mått och uppgifter avser färdig produkt om ej annat anges All measures and other information refer to finished products unless otherwise not stated.	
				PIPE SLEEVE S-150		Kund ordernr. Customer order no.	
						Ritn. nr. Draw. no.	Rev.
						130902	G



Vikt
Weight