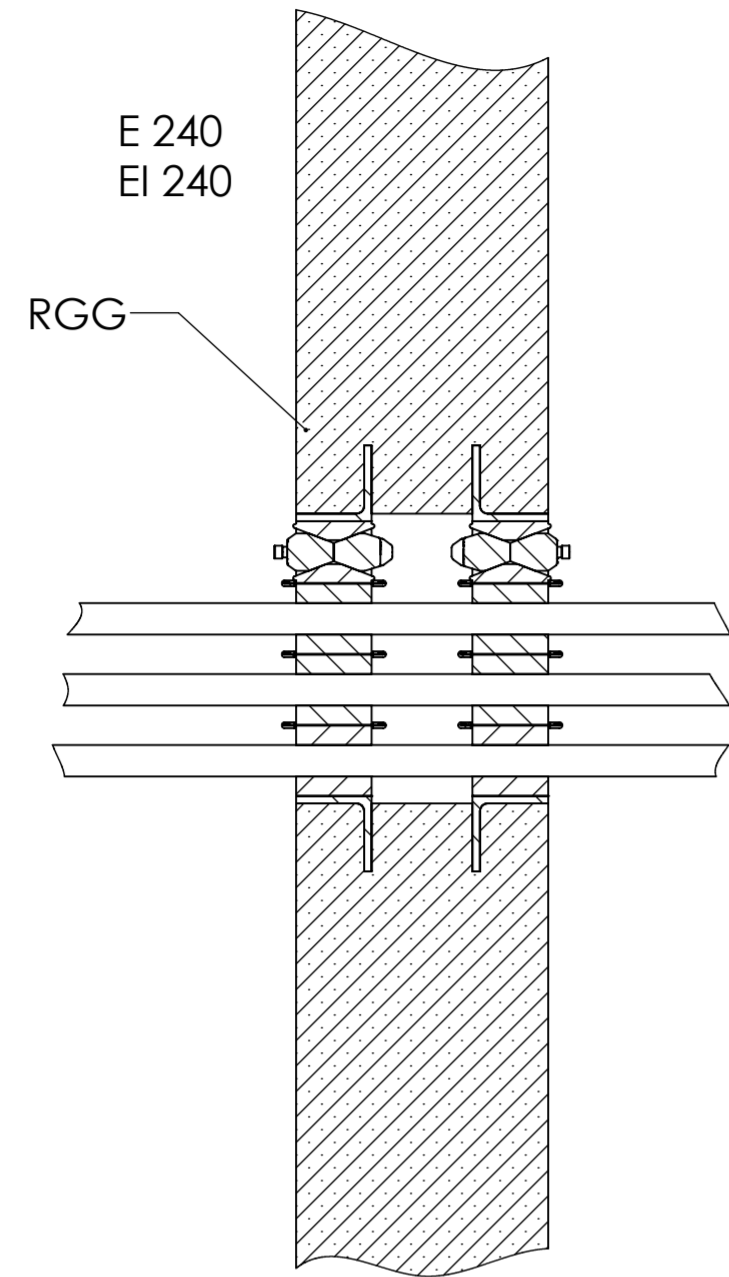


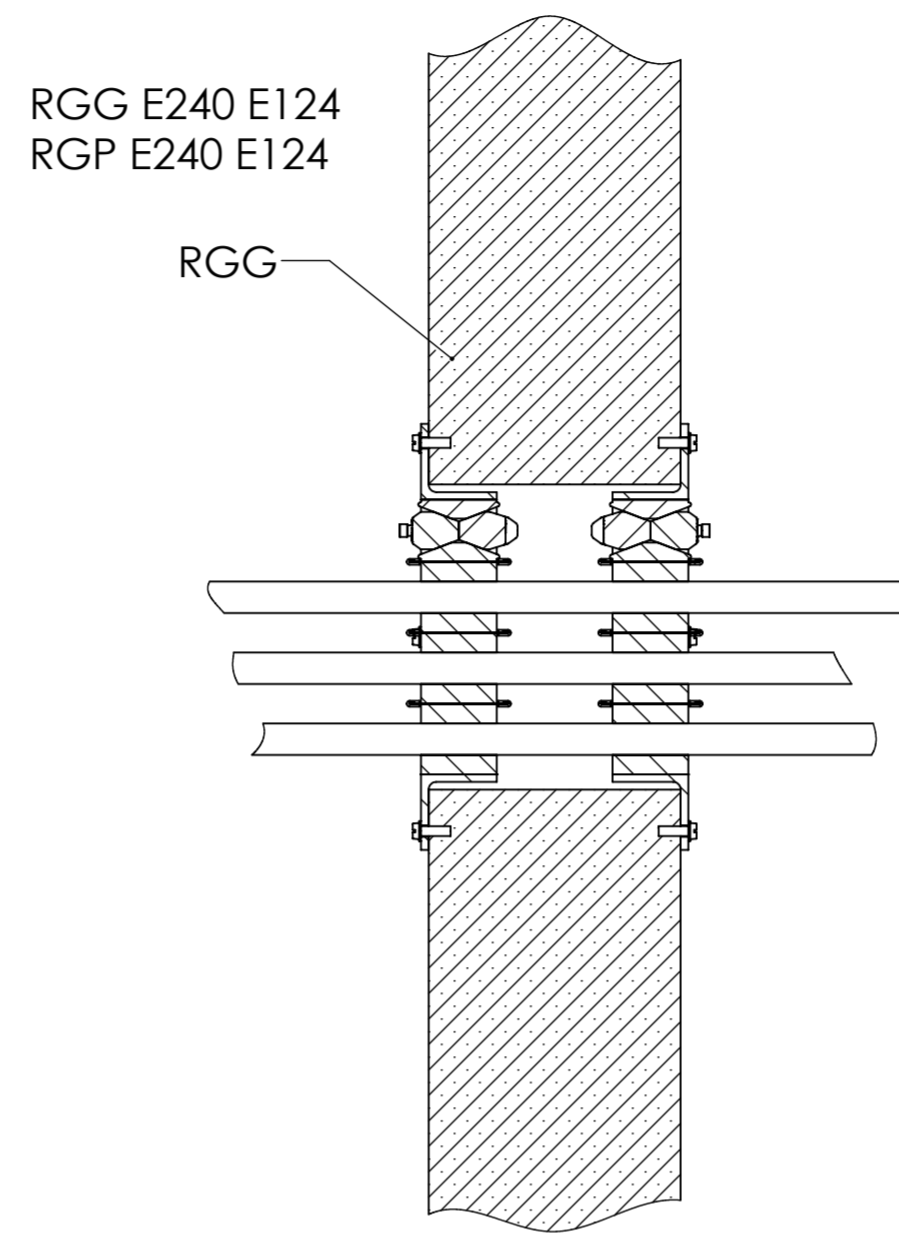
THIS DOCUMENT MUST NOT BE COPIED WITHOUT OUR WRITTEN PERMISSION, AND THE CONTENTS THEREOF MUST NOT BE IMPARTED TO A THIRD PARTY. IT IS NOT TO BE USED FOR ANY UNAPPROVED PURPOSE. CONTRAVENTION WILL BE PROSECUTED.

REVISIONS			
REV.	DESCRIPTION	DATE	SIGNATURE
A		2021-12-02	JA
B	RGP/RGG INFORMATION ADDED	2025-01-28	SS

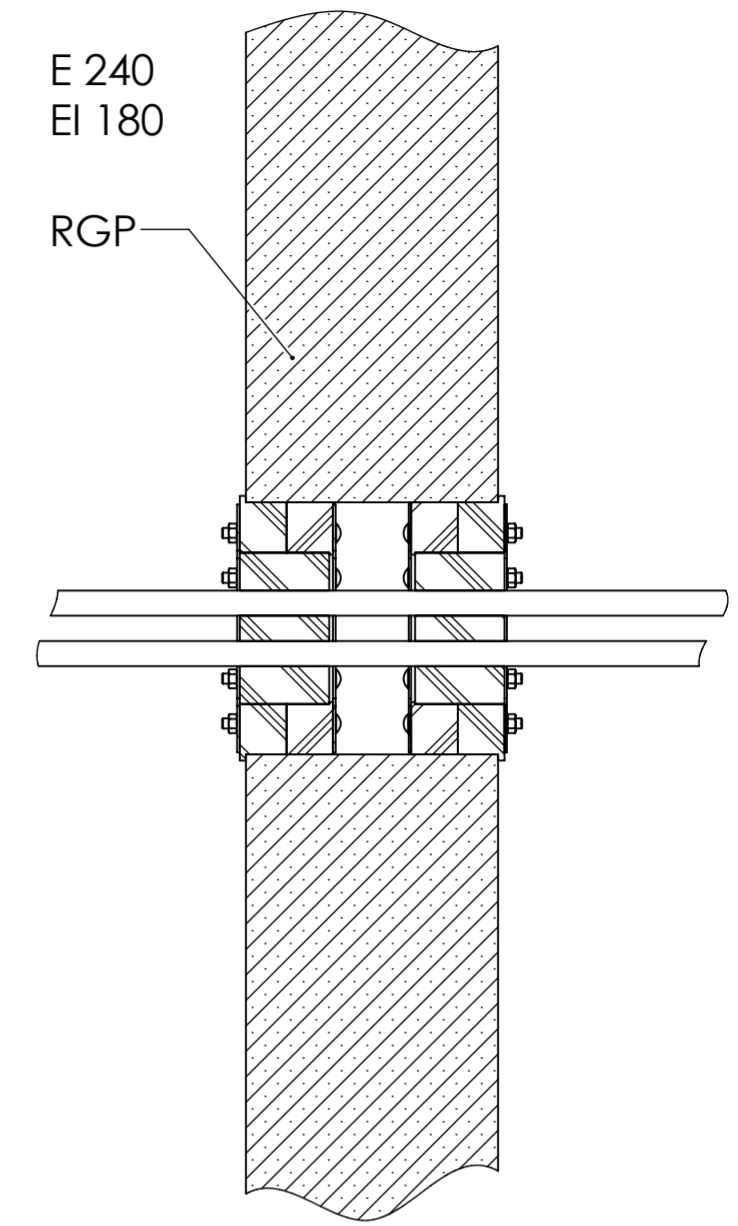
**EMBEDED**



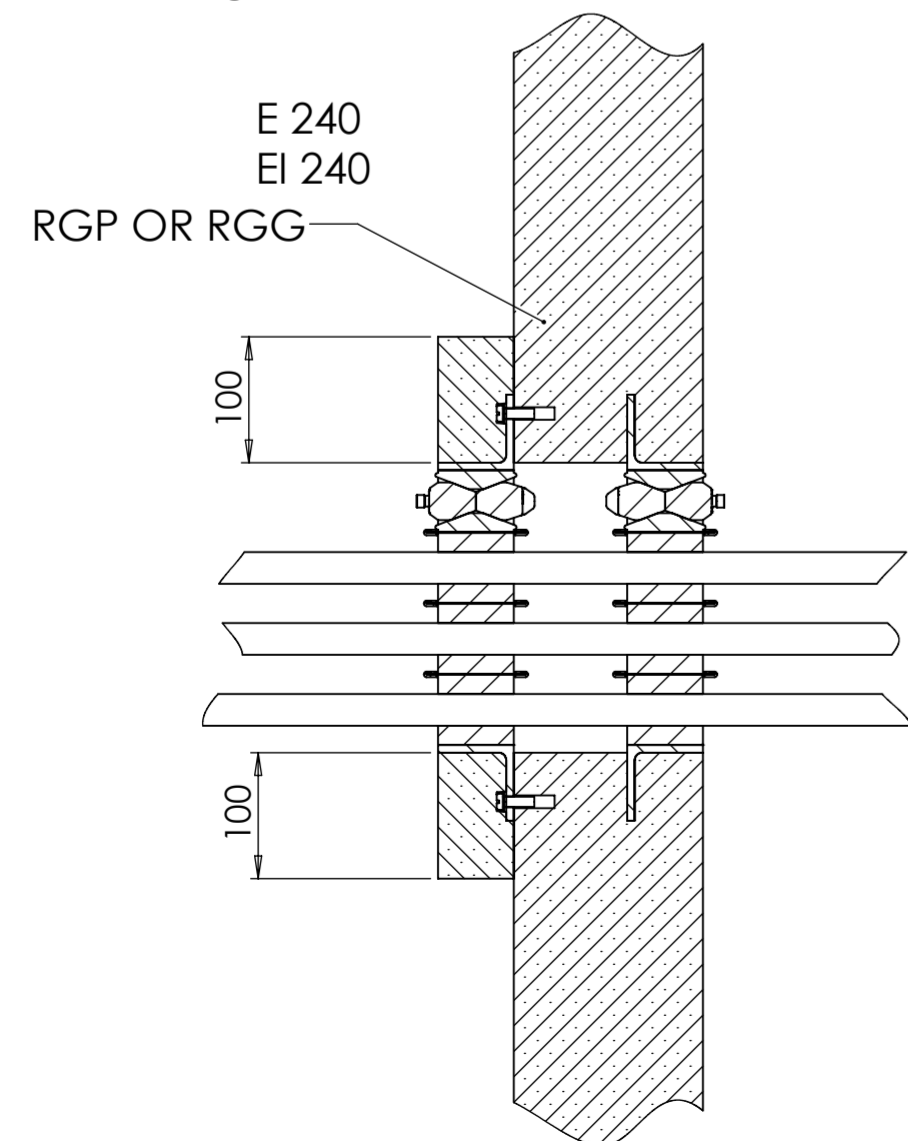
**BOLTED**



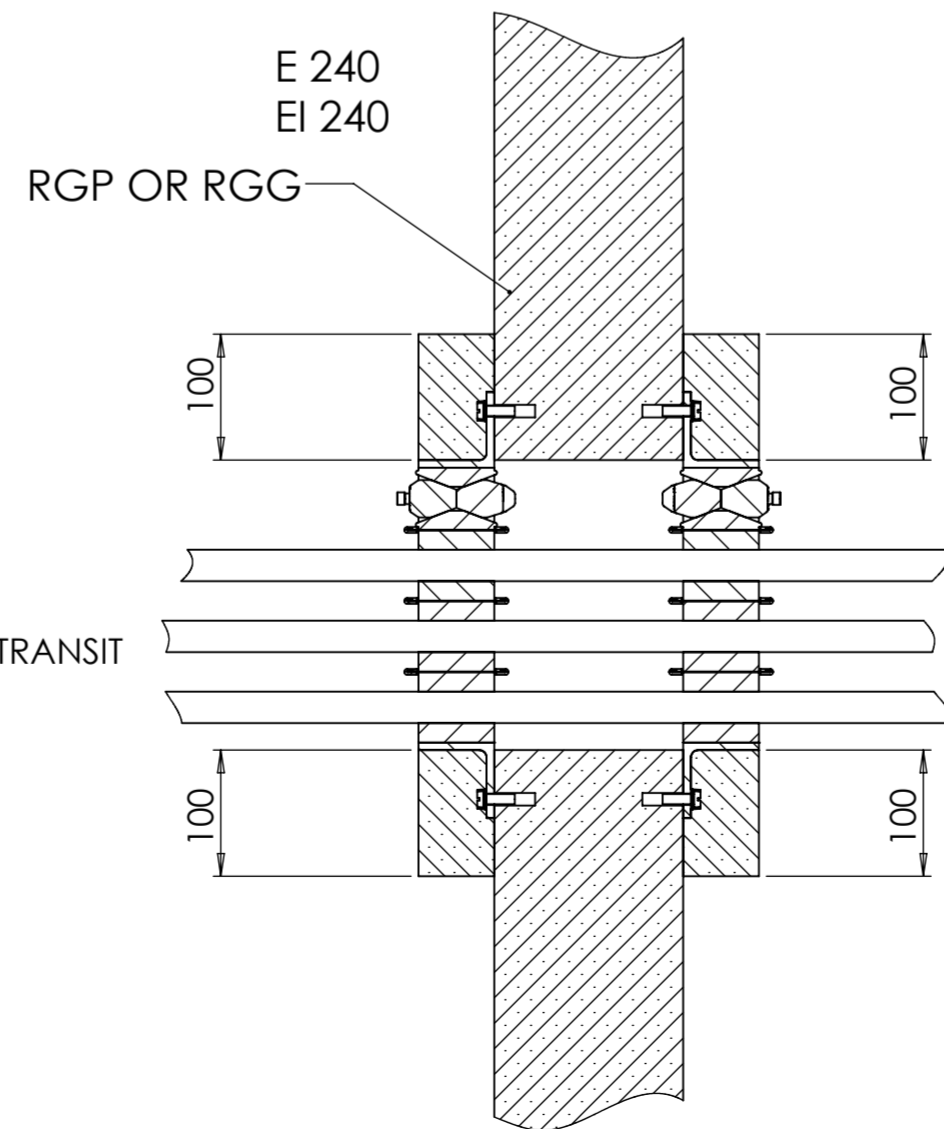
**CORE DRILLED HOLES**



**MORTAR**



**MORTAR**



ADD MORTAR TO COVER THE TRANSIT FRAME SIDES AND FLANGE

\*CABLE DIMENSIONS UP TO Ø80 FOR ALL CONFIGURATIONS.

\*RGP 50-220

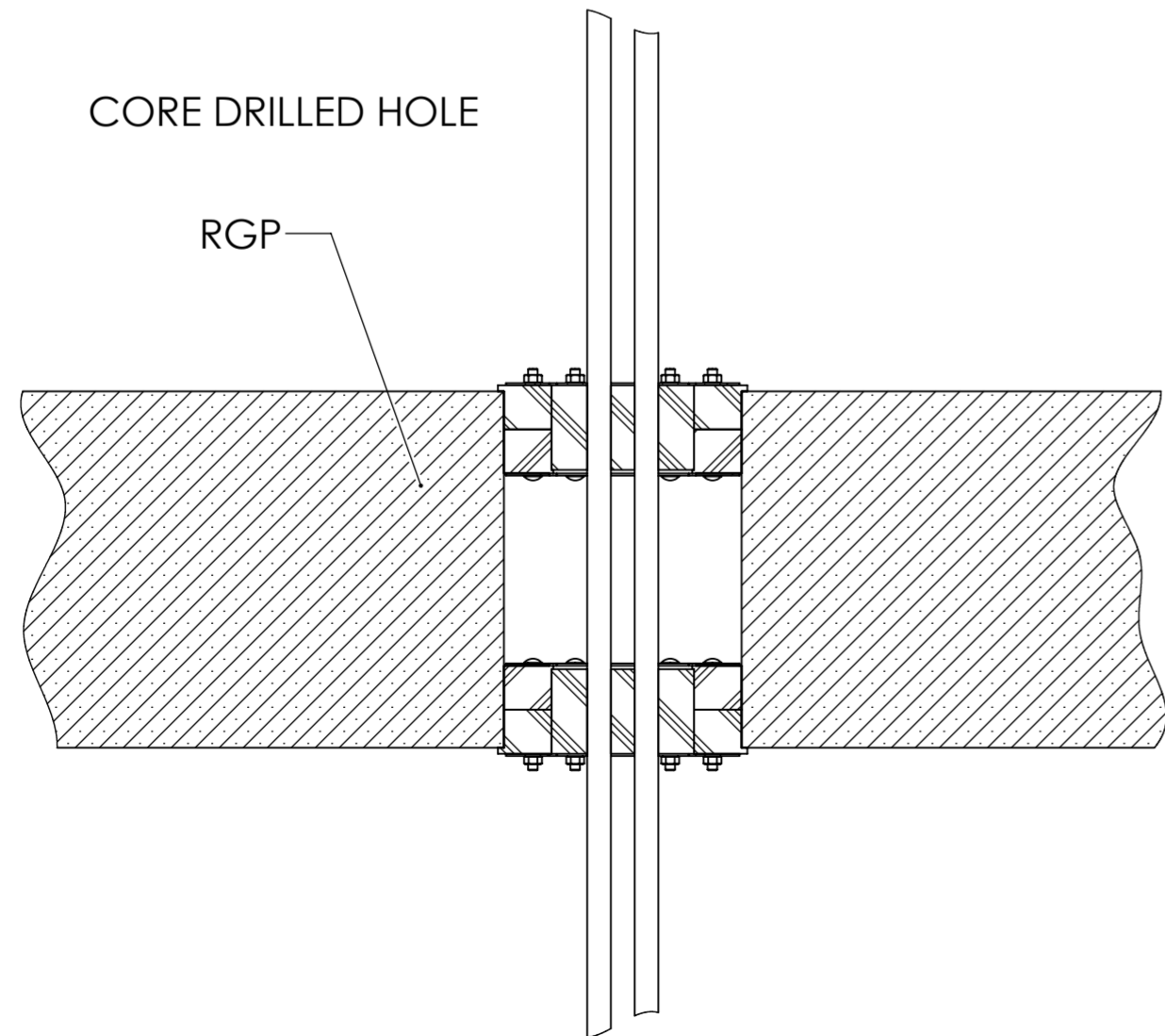
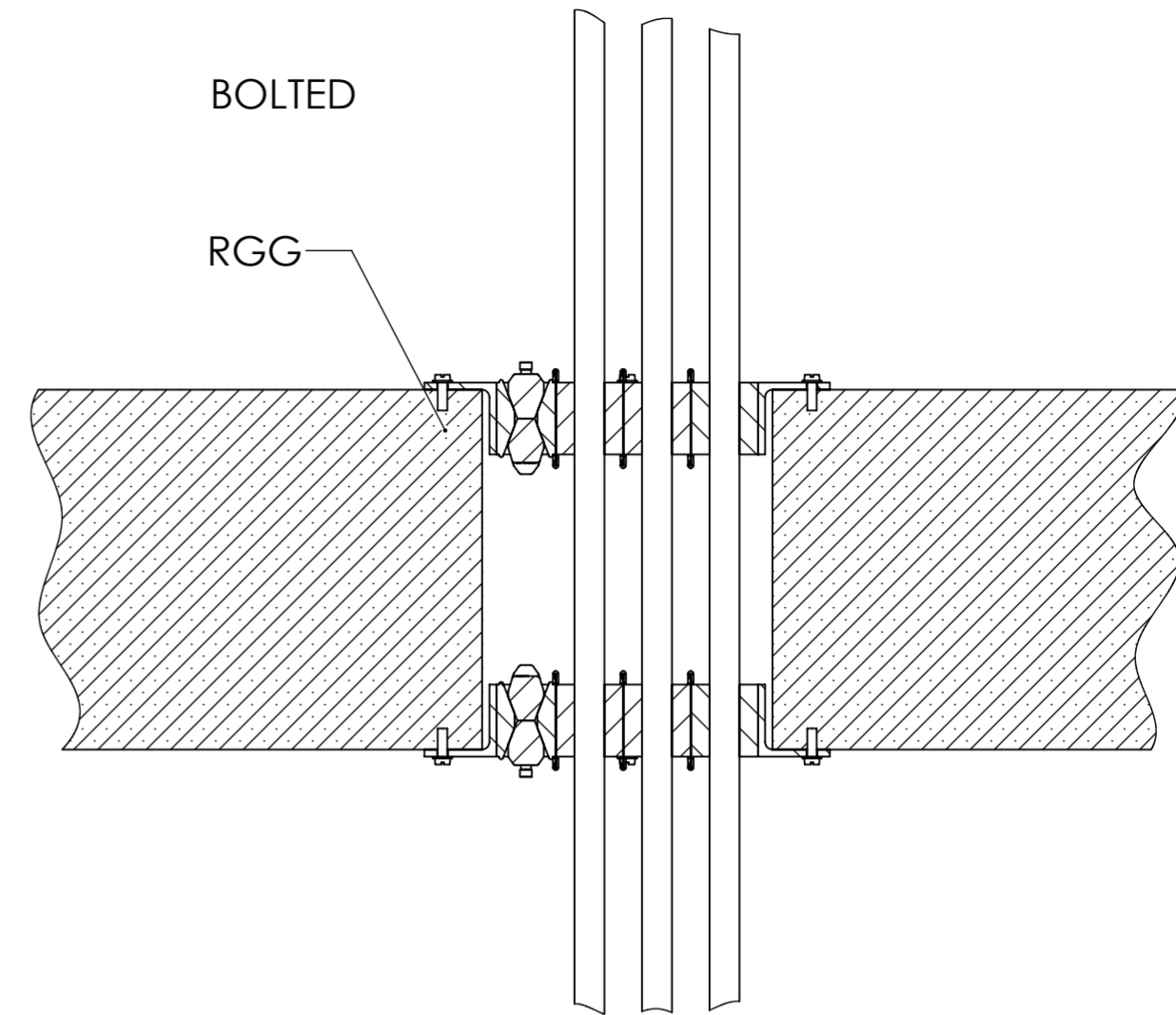
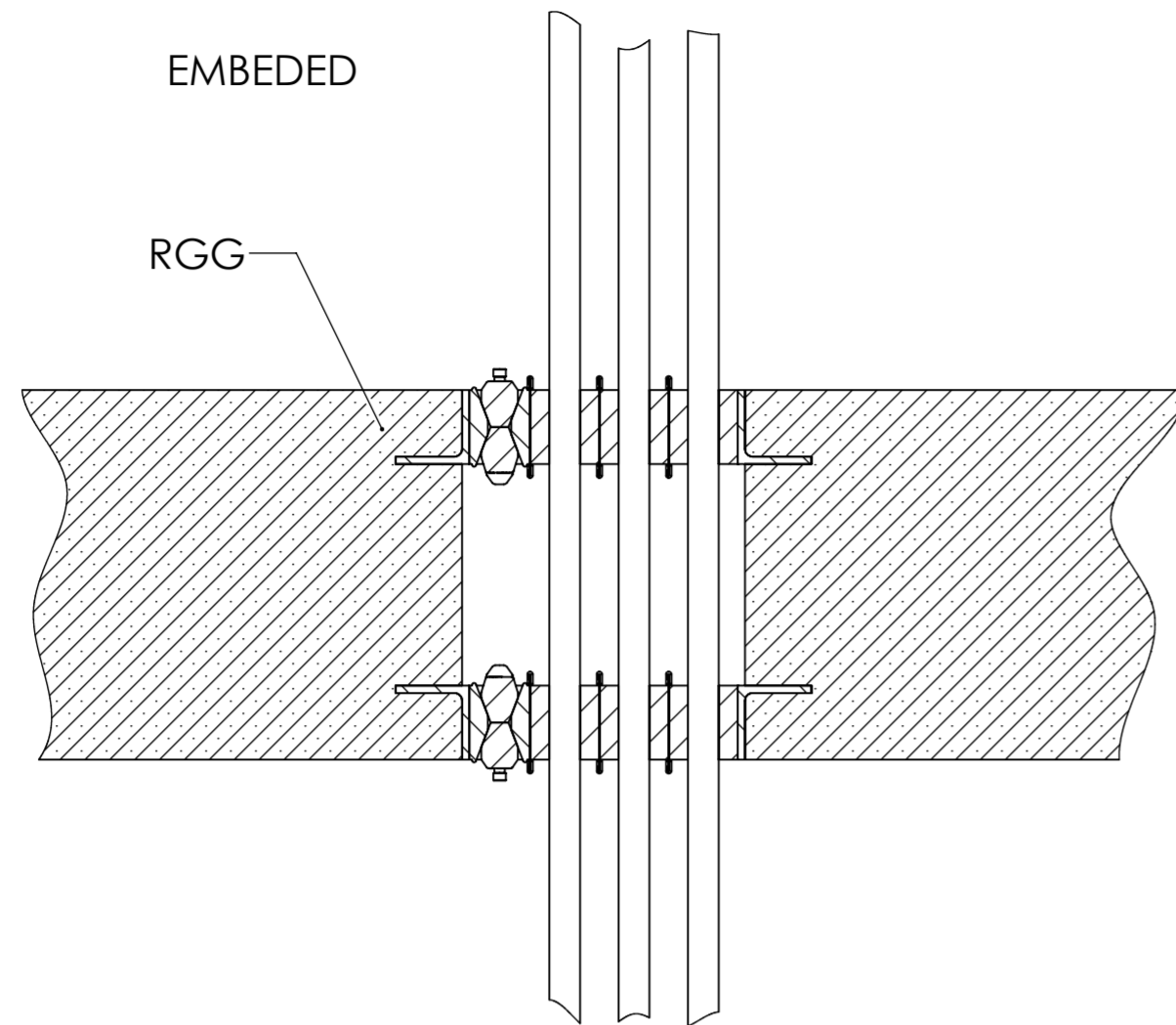
**FIRE SIDE ON BOTH SIDES IN ALL CONFIGURATIONS**

NOTE:\* TYPES OF CABLES acc. TABLE A. 1 EN-1366-3. STANDARD SHEATHED CABLES COVER ALL CABLE TYPES USUALLY AND COMMONLY USED IN BUILDING PRACTICE IN EUROPE, WITH EXCEPTION OF CABLE BUNDLES, WAVEGUIDES AND NON-SHEATHED CABLES. OPTICAL CABLES ARE COVERED. NON-SHEATHED CABLE GROUP G1: UP TO Ø17 AND G2: UP TO Ø24 ARE VALID.

Ritad Drawn	Kontr. Check	Granskad Reviewed	Godkänd Approved	Tolerans där ej annat anges Tolerance unless otherwise stated	Smsl. nr. Assembly drawing no.	Ersätter Replaces	E
JA	SS	LS	OF	Ytjämnhet där ej annat anges. Surface finish otherwise not stated	Material	Ersatt av Replaced of	Vikt Weight
211202	250128	250212	250304			Alla mått och uppgifter avser färdig produkt om ej annat anges. All measures and other information refer to finished products unless otherwise stated.	
				ETA CONCRETE WALL BTB CABLE		Kund ordernr. Customer order no	
				MCT BRATTBERG		Ritn. nr. Draw. no.	Rev.
						1210320	B

THIS DOCUMENT MUST NOT BE COPIED WITHOUT OUR WRITTEN PERMISSION, AND THE CONTENTS THEREOF MUST NOT BE IMPARTED TO A THIRD PARTY WITHOUT OUR WRITTEN PERMISSION. ANY USE FOR ANY UNAPPROVED PURPOSE, CONTRAVENTION WILL BE PROSECUTED.

REVISIONS			
REV.	DESCRIPTION	DATE	SIGNATURE
A		2021-12-02	JA
B	INFORMATION OF RGP ADDED	2025-01-28	SS



\*CABLE DIMENSIONS UP TO Ø80  
E120, EI120  
FOR ALL CONFIGURATIONS

\*RGP 50-220

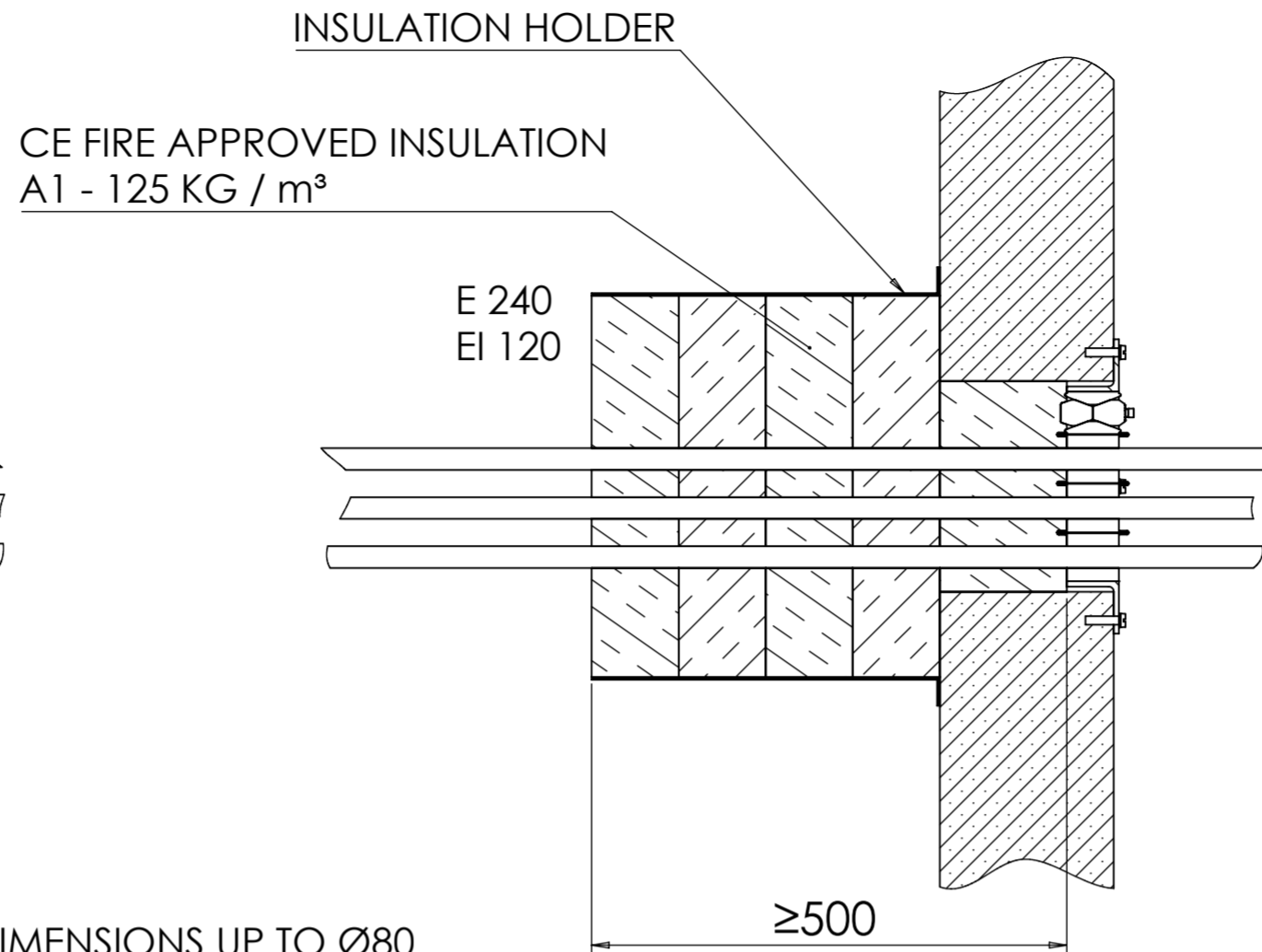
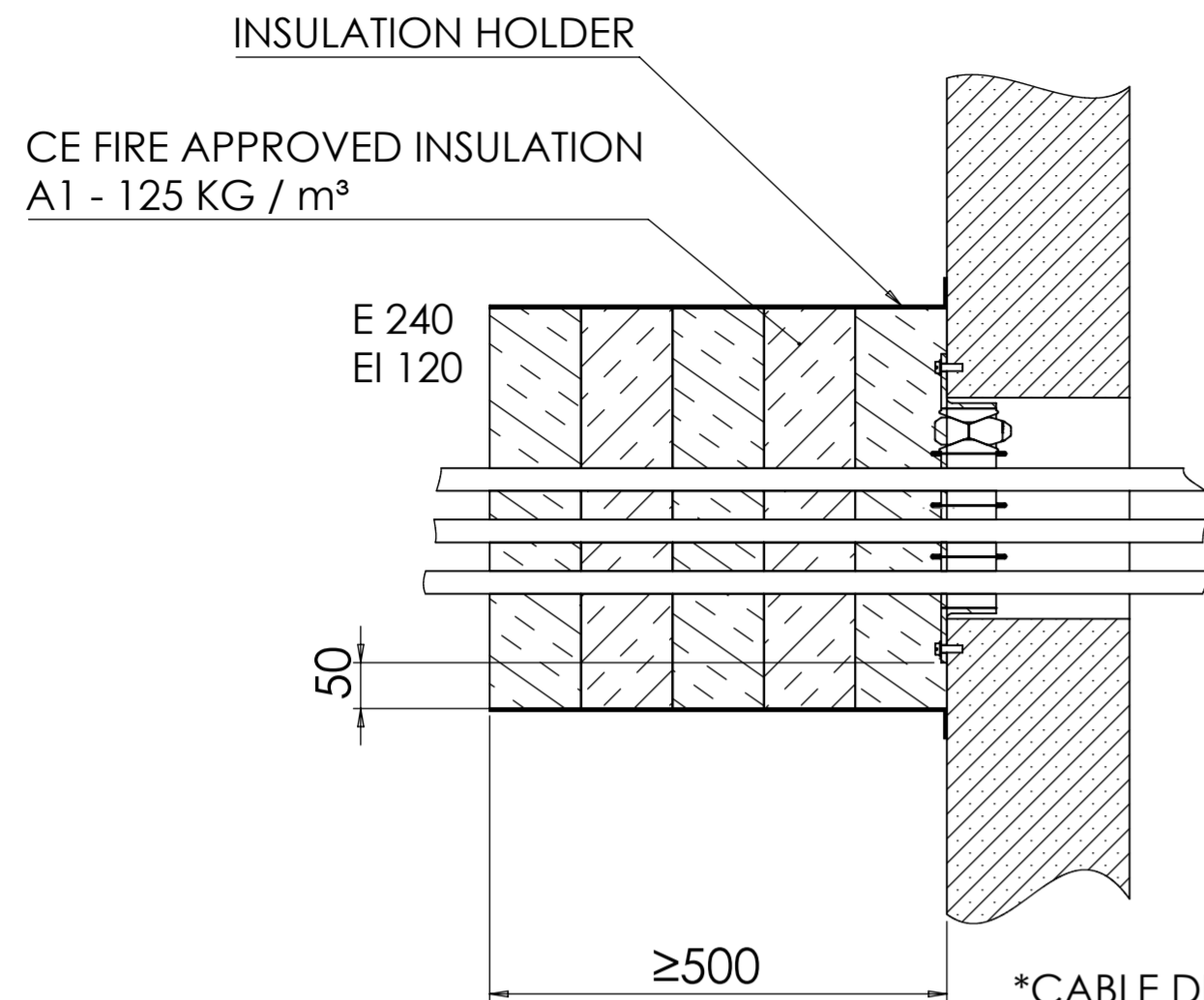
FIRE SIDE ON BOTH SIDES IN ALL CONFIGURATIONS

NOTE:\* TYPES OF CABLES acc. TABLE A. 1 EN-1366-3.  
STANDARD SHEATHED CABLES COVER ALL CABLE TYPES USUALLY AND COMMONLY USED IN BUILDING PRACTICE IN EUROPE, WITH EXCEPTION OF CABLE BUNDLES, WAVEGUIDES AND NON-SHEATHED CABLES. OPTICAL CABLES ARE COVERED.  
NON-SHEATHED CABLE GROUP G1: UP TO Ø17 AND G2: UP TO Ø24 ARE VALID.

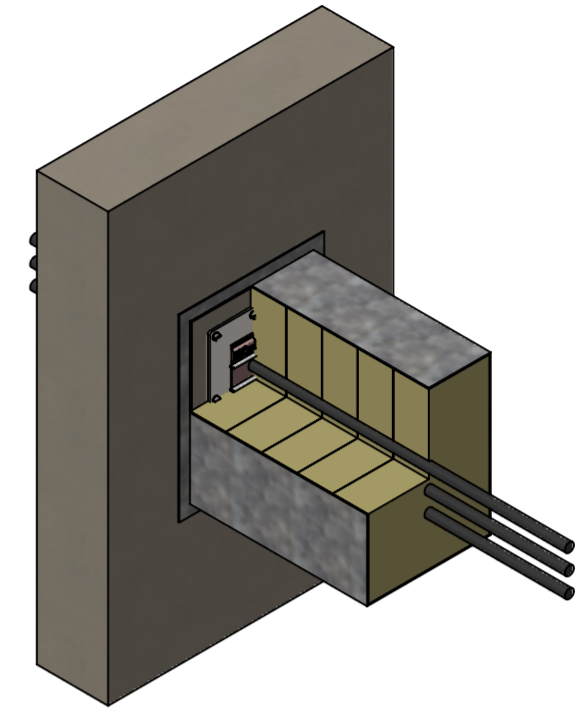
Ritad Drawn	Kontr. Check	Granskad Reviewed	Godkänd Approved	Tolerans där ej annat anges Tolerance unless otherwise not stated.	Smsl. nr. Assembly drawing no.	Ersätter Replaces	E
JA	SS	LS	OF	Ytjämnhet där ej annat anges. Surface finish otherwise not stated.	Material	Ersatt av Replaced of	Vikt Weight
211203	250128	250212	250304			Alla mått och uppgifter avser färdig produkt om ej annat anges. All measures and other information refer to finished products unless otherwise not stated.	
				ETA CONCRETE FLOOR BTB CABLE		Kund ordernr. Customer order no.	
<b>MCT</b> <b>BRATTBERG</b>						Ritn. nr. Draw. no.	Rev.
						1210321	B

THIS DOCUMENT MUST NOT BE COPIED WITHOUT OUR WRITTEN PERMISSION, AND THE CONTENTS THEREOF MUST NOT BE IMPARTED TO A THIRD PARTY WITHOUT OUR WRITTEN PERMISSION. THIS DOCUMENT IS NOT TO BE USED FOR ANY UNAPPROVED PURPOSE. CONVENTION WILL BE PROSECUTED.

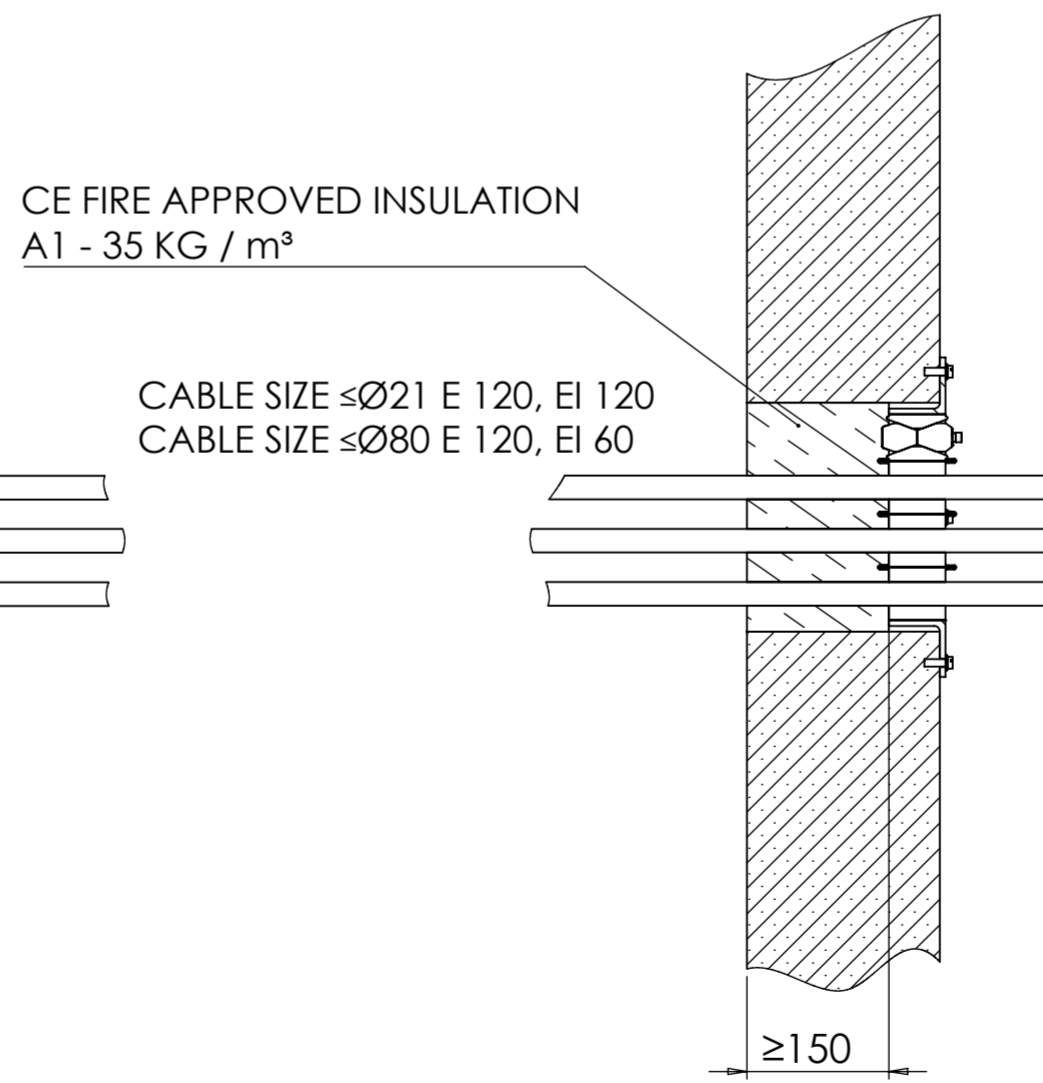
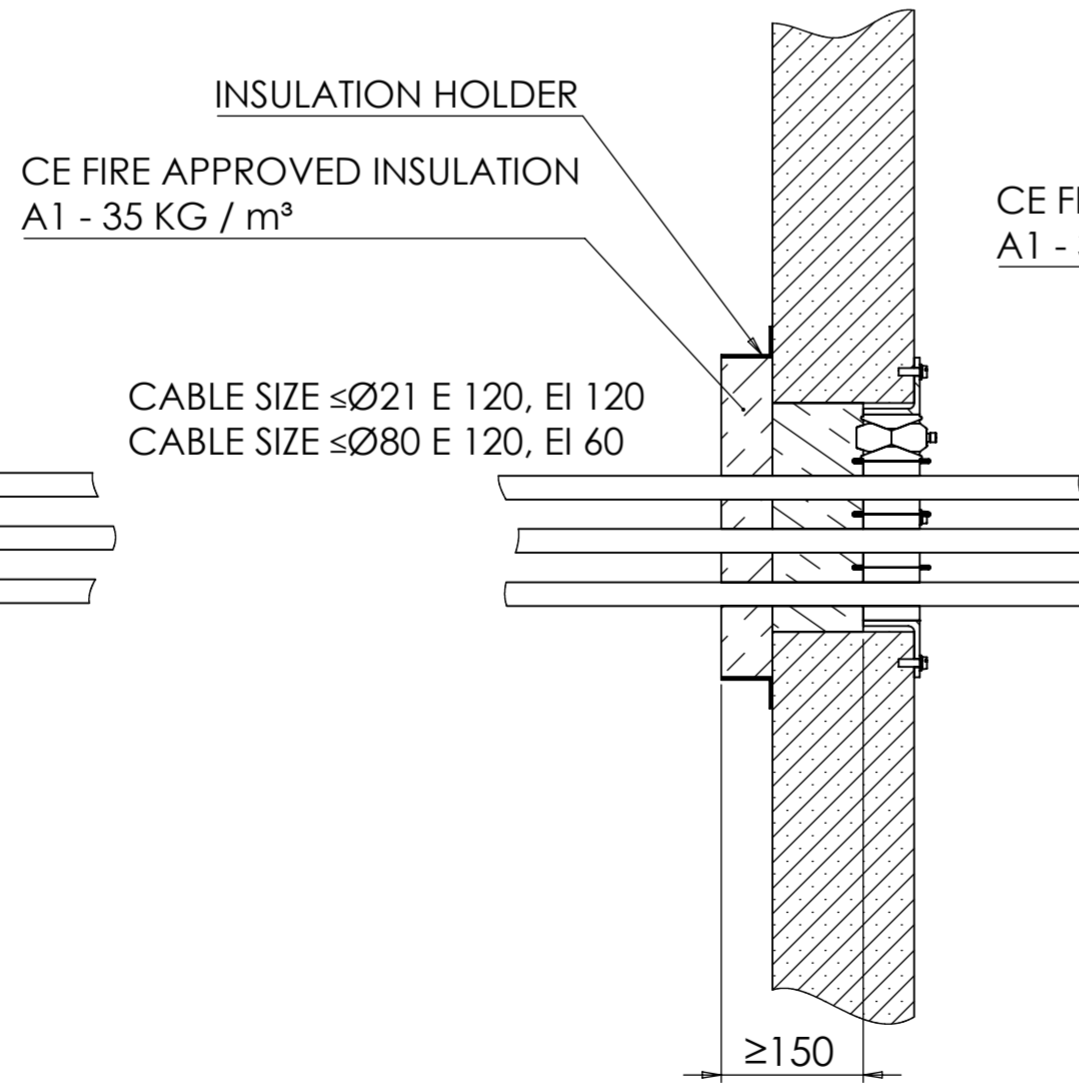
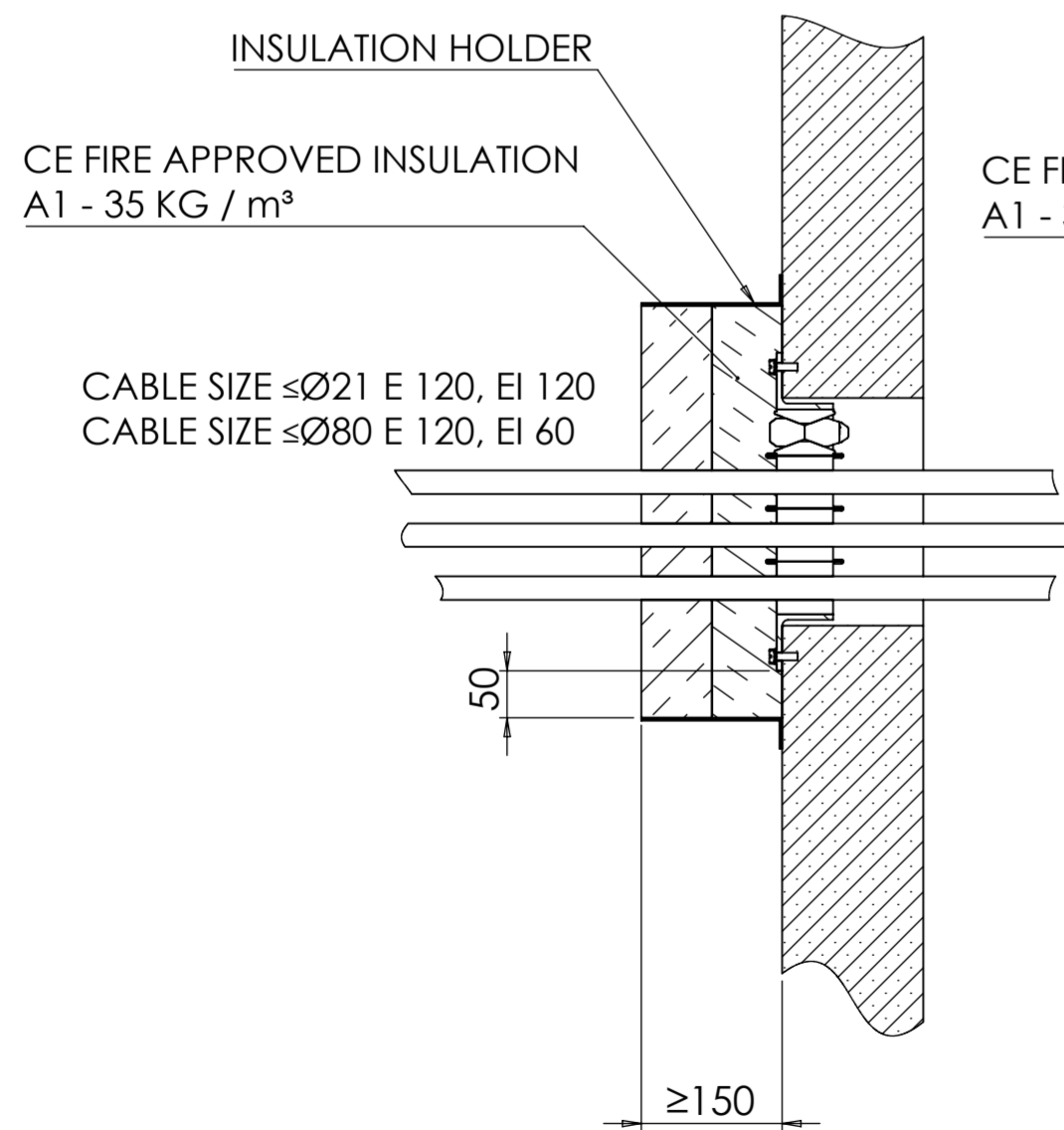
REVISIONS			
REV.	DESCRIPTION	DATE	SIGNATURE
A		2021-12-06	JA
B	INFORMATION OF RGP INCLUDED	2025-01-28	SS



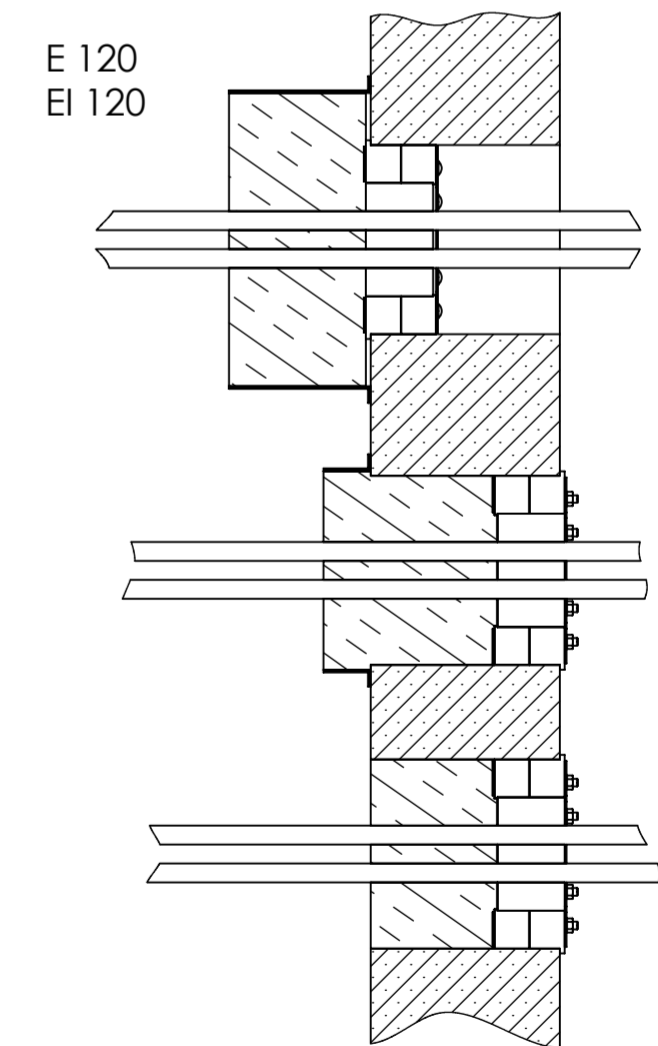
FIRE SIDE ON BOTH SIDES IN ALL CONFIGURATIONS



\*CABLE DIMENSIONS UP TO Ø80 IN CONFIGURATIONS WITH 500mm INSULATION



SAME APPLICATIONS APPLIED FOR RGP 50-220 WITH 150mm INSULATION



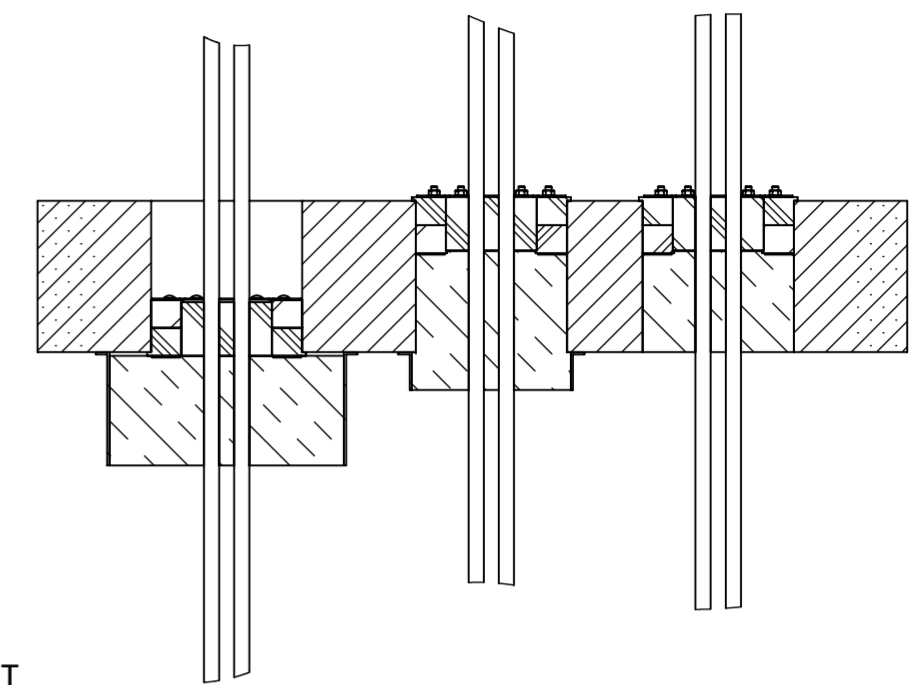
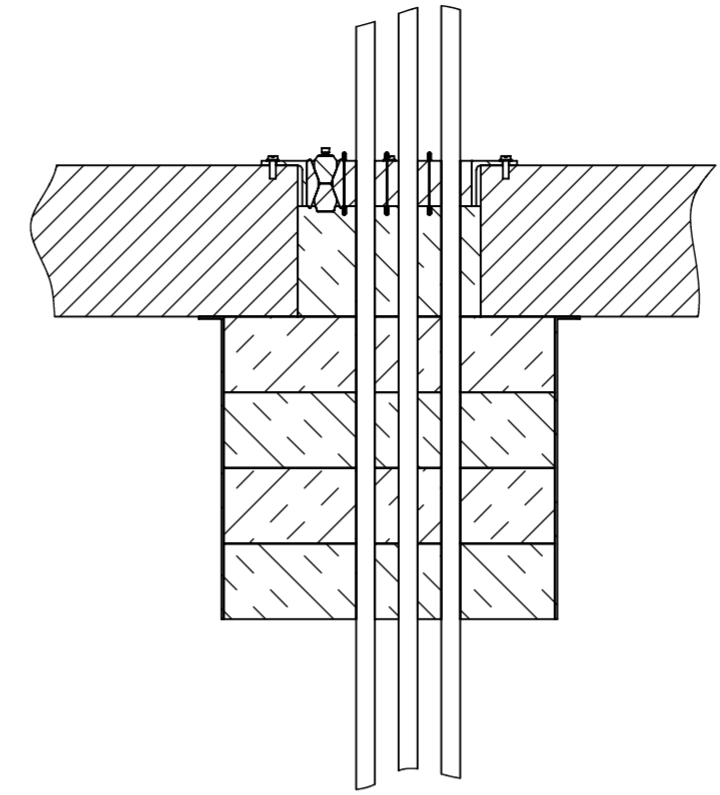
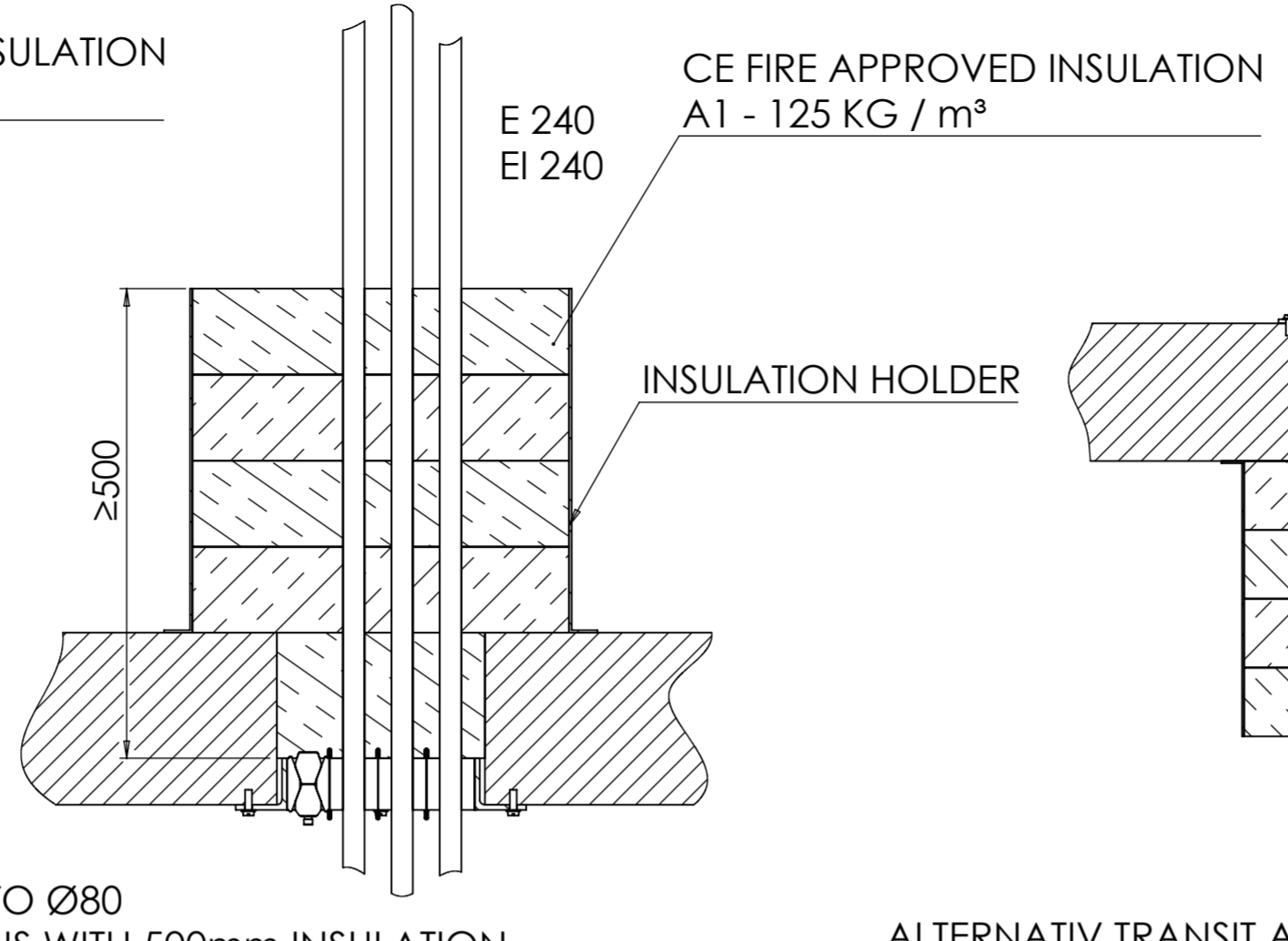
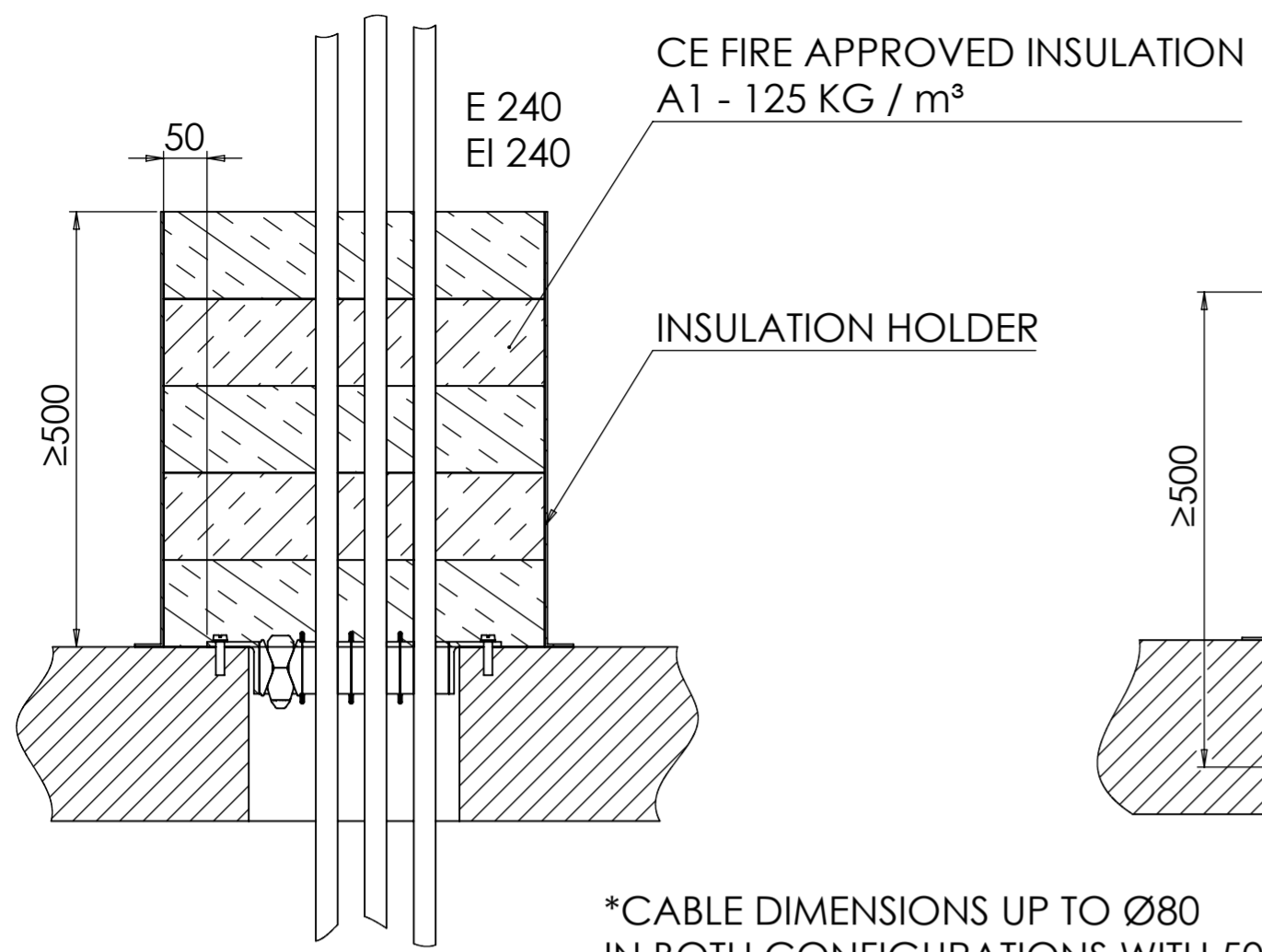
NOTE: \* TYPES OF CABLES acc. TABLE A. 1 EN-1366-3. STANDARD SHEATHED CABLES COVER ALL CABLE TYPES USUALLY AND COMMONLY USED IN BUILDING PRACTICE IN EUROPE, WITH EXCEPTION OF CABLE BUNDLES, WAVEGUIDES AND NON-SHEATHED CABLES. OPTICAL CABLES ARE COVERED. NON-SHEATHED CABLE GROUP G1: UP TO Ø17 AND G2: UP TO Ø24 ARE VALID.

Ritad Drawn	Kontr. Check	Granskad Reviewed	Godkänd Approved	Tolerans där ej annat anges Tolerance unless otherwise not stated.	Smsl. nr. Assembly drawing no.	Ersätter Replaces	E
JA	SS	LS	OF	Ytjämnhet där ej annat anges. Surface finish otherwise not stated.	Material	Ersatt av Replaced of	Vikt Weight
211206	250128	250212	250304			Alla mått och uppgifter avser färdig produkt om ej annat anges. All measures and other information refer to finished products unless otherwise not stated.	
				ETA CONCRETE WALL INSULATION CABLE		Kund ordernr. Customer order no.	
						Ritn. nr. Draw. no.	Rev.
						1210322	B



THIS DOCUMENT MUST NOT BE COPIED WITHOUT OUR WRITTEN PERMISSION, AND THE CONTENTS THEREOF MUST NOT BE IMPARTED TO A THIRD PARTY WITHOUT OUR WRITTEN PERMISSION. ANY REUSE OF THIS DOCUMENT FOR ANY UNAPPROVED PURPOSE, CONTRAVENTION WILL BE PROSECUTED.

REVISIONS			
REV.	DESCRIPTION	DATE	SIGNATURE
A		2021-12-06	JA
B	VIEW ADDED	2025-02-12	PB

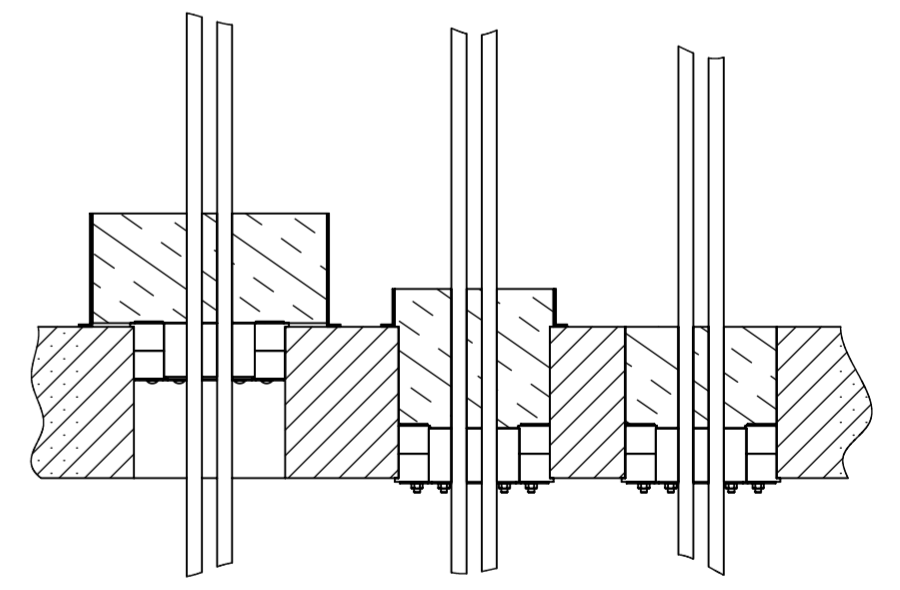
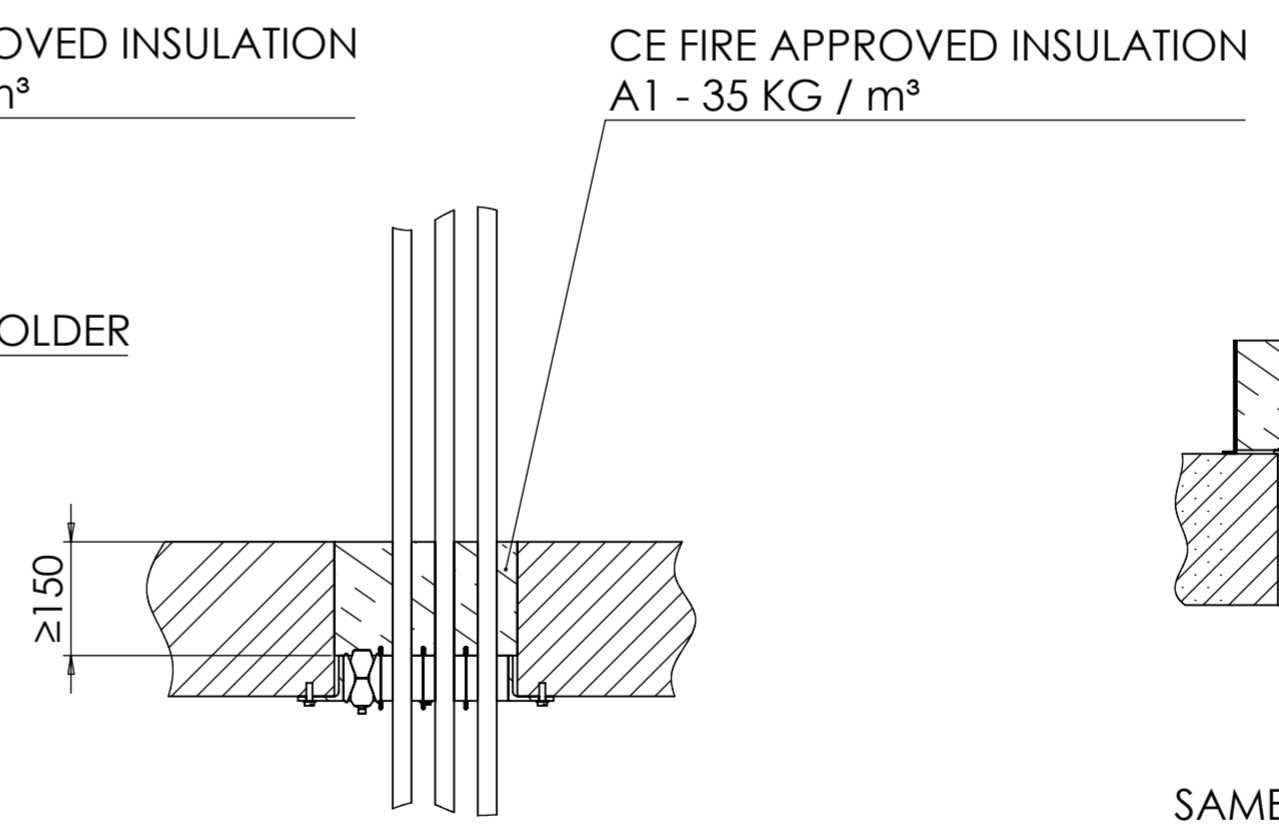
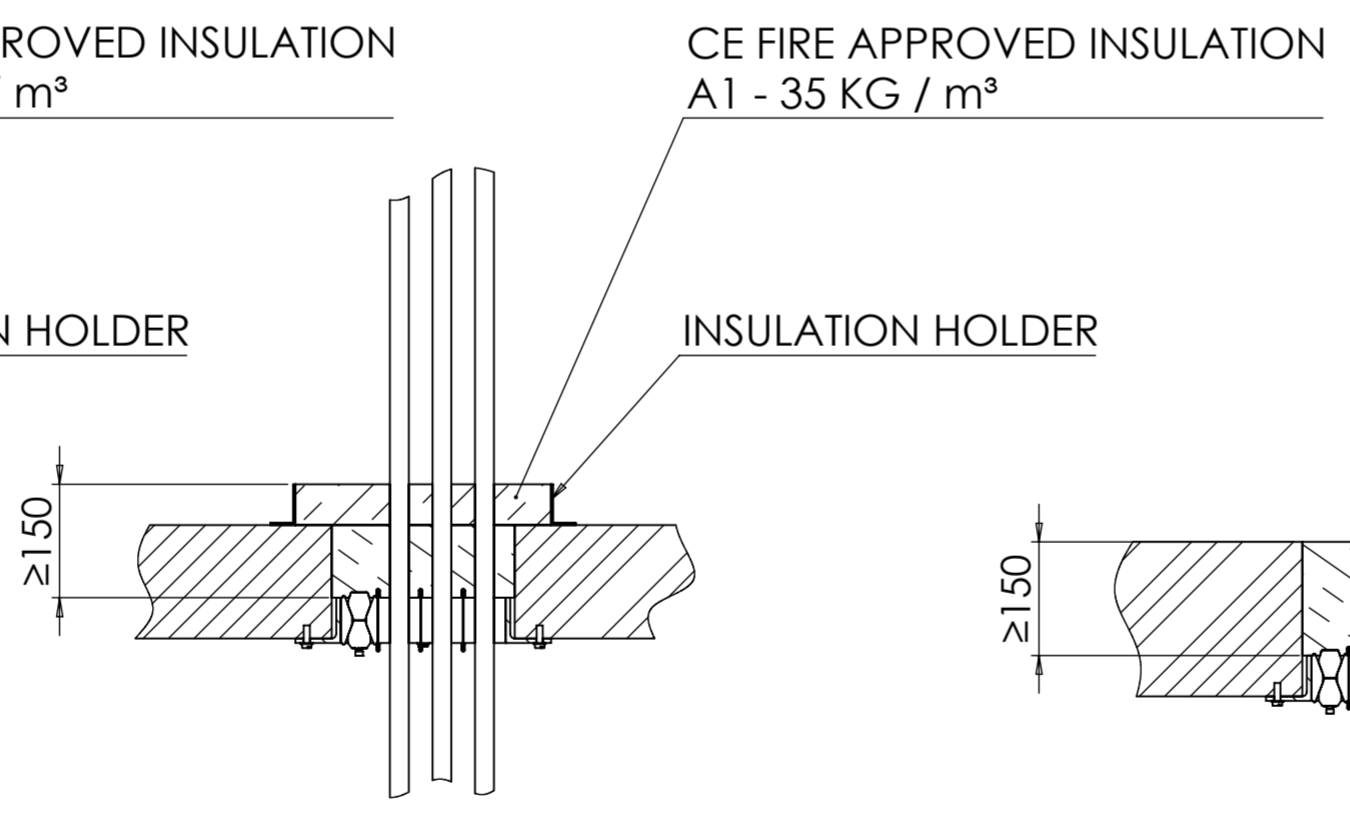
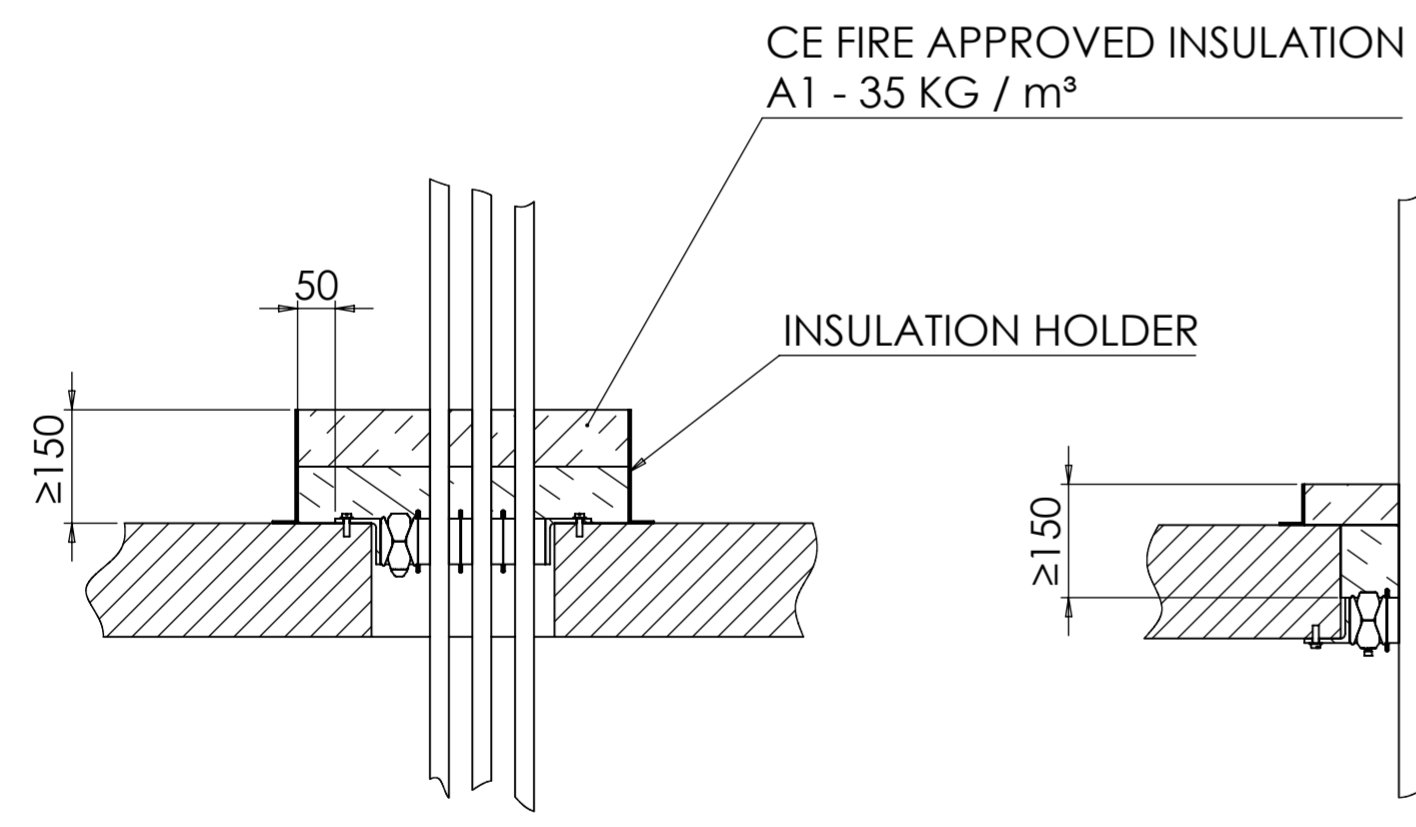


\*CABLE DIMENSIONS UP TO Ø80  
IN BOTH CONFIGURATIONS WITH 500mm INSULATION

ALTERNATIV TRANSIT AND INSULATION PLACEMENT  
FOR ALL CONFIGURATIONS

SAME APPLICATIONS APPLIED FOR RGP  
WITH 150mm INSULATION  
CABLE SIZE ≤Ø80 E 120, EI 120  
RGP-50 - RGP-220

FIRE SIDE ON BOTH SIDES IN ALL CONFIGURATIONS



CABLE SIZE ≤Ø21 E 120, EI 120  
CABLE SIZE ≤Ø80 E 120, EI 60

CABLE SIZE ≤Ø21 E 120, EI 120  
CABLE SIZE ≤Ø80 E 120, EI 60

CABLE SIZE ≤Ø21 E 120, EI 120  
CABLE SIZE ≤Ø80 E 120, EI 60

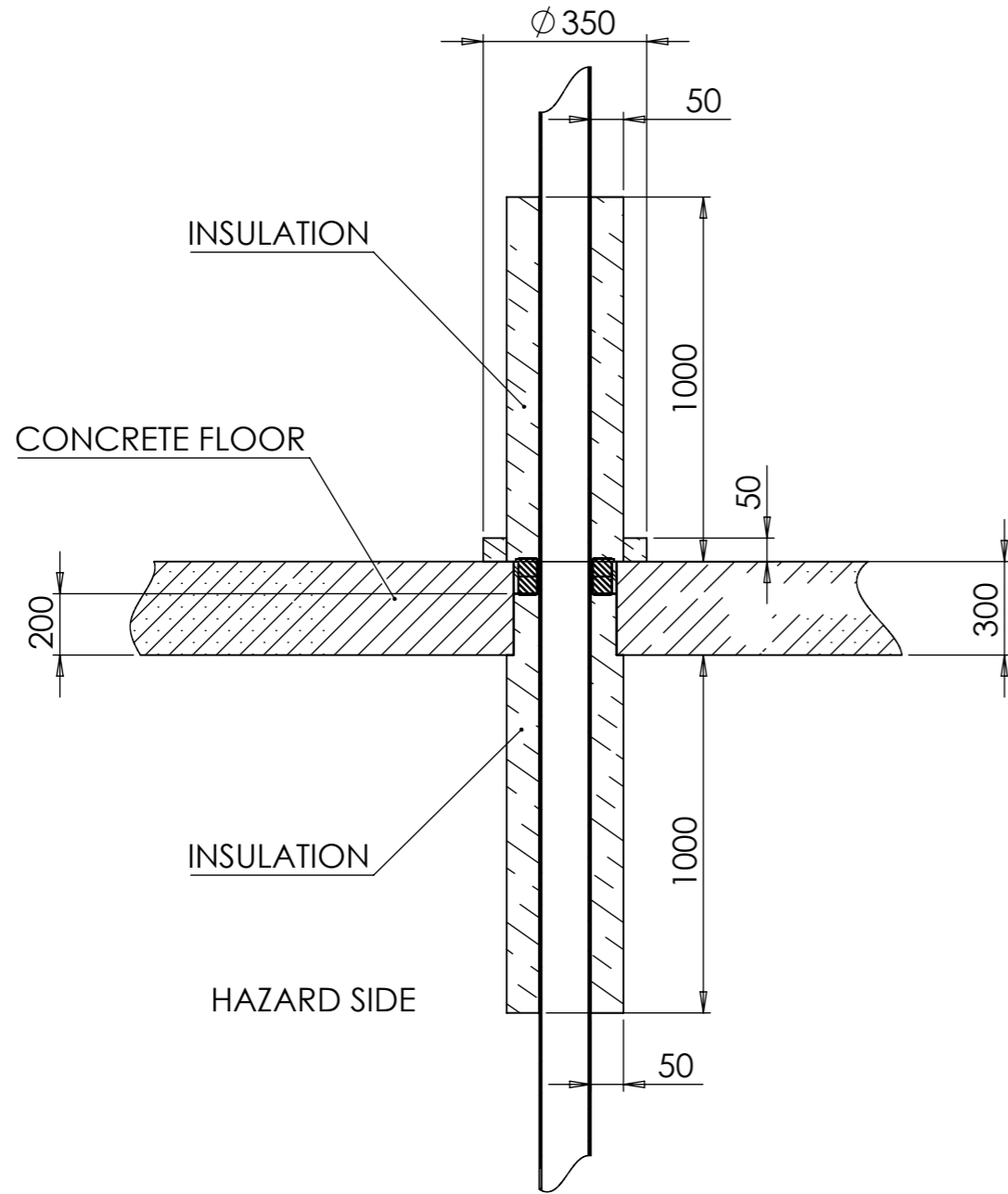
SAME APPLICATIONS APPLIED FOR RGP  
WITH 150mm INSULATION  
CABLE SIZE ≤Ø80 E 120, EI 120  
RGP-50 - RGP-220

NOTE: \* TYPES OF CABLES acc. TABLE A. 1 EN-1366-3.  
STANDARD SHEATHED CABLES COVER ALL CABLE TYPES USUALLY AND COMMONLY USED IN BUILDING PRACTICE IN EUROPE, WITH EXCEPTION OF CABLE BUNDLES, WAVEGUIDES AND NON-SHEATHED CABLES. OPTICAL CABLES ARE COVERED.  
NON-SHEATHED CABLE GROUP G1: UP TO Ø17 AND G2: UP TO Ø24 ARE VALID.

Ritad Drawn	Kontr. Check	Granskad Reviewed	Godkänd Approved	Tolerans där ej annat anges Tolerance unless otherwise not stated.	Smsl. nr. Assembly drawing no.	Ersätter Replaces	E
JA	PB	LS	OF	Ytjämnhet där ej annat anges. Surface finish otherwise not stated.	Material	Ersatt av Replaced of	Vikt Weight
211207	250212	250218	250304			Alla mått och uppgifter avser färdig produkt om ej annat anges. All measures and other information refer to finished products unless otherwise not stated.	
						Kund ordernr. Customer order no.	
						Ritn. nr. Draw. no.	Rev.
ETA CONCRETE FLOOR INSULATION CABLE						1210323	B

THIS DOCUMENT MUST NOT BE COPIED WITHOUT OUR WRITTEN PERMISSION, AND THE CONTENTS THEREOF MUST NOT BE IMPARTED TO A THIRD PARTY NOR BE USED FOR ANY UNAUTHORIZED PURPOSE. CONTRAVENTION WILL BE PROSECUTED.

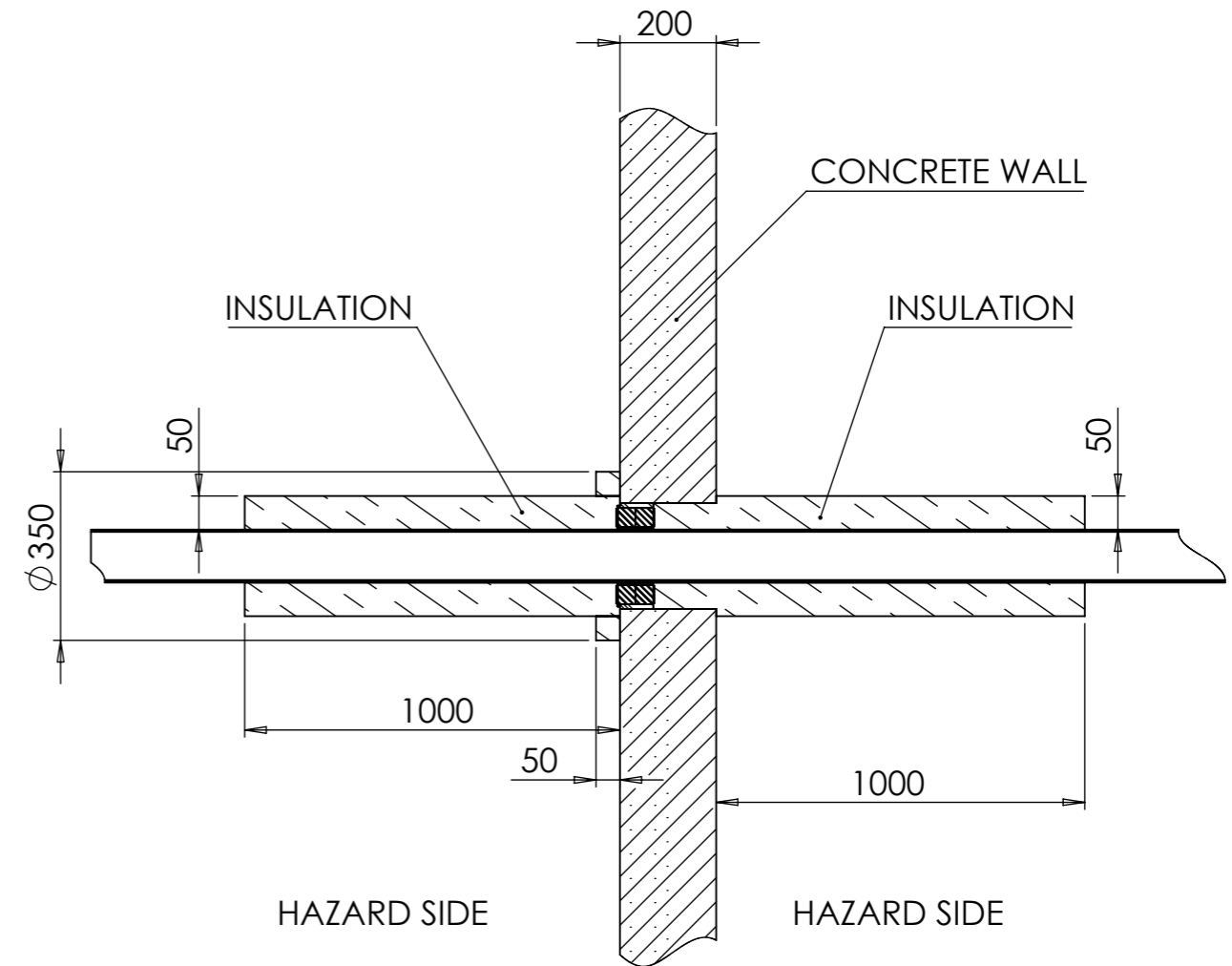
REVISIONS			
REV.	DESCRIPTION	DATE	SIGNATURE
A		2025-02-12	PB



EI 180

PIPE DIM Ø8mm - Ø163,3mm

INSULATION:  
85 KG / m<sup>3</sup>

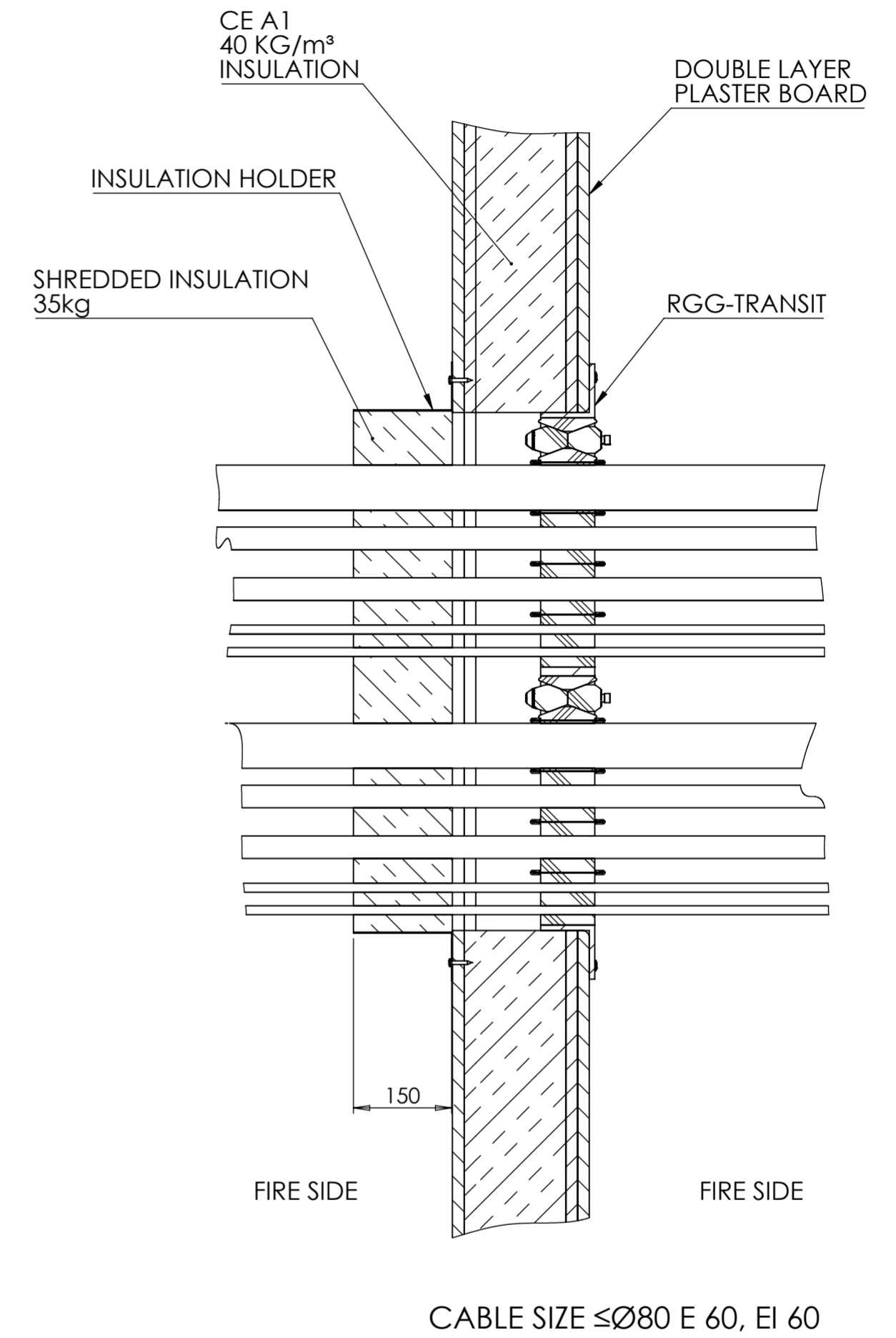
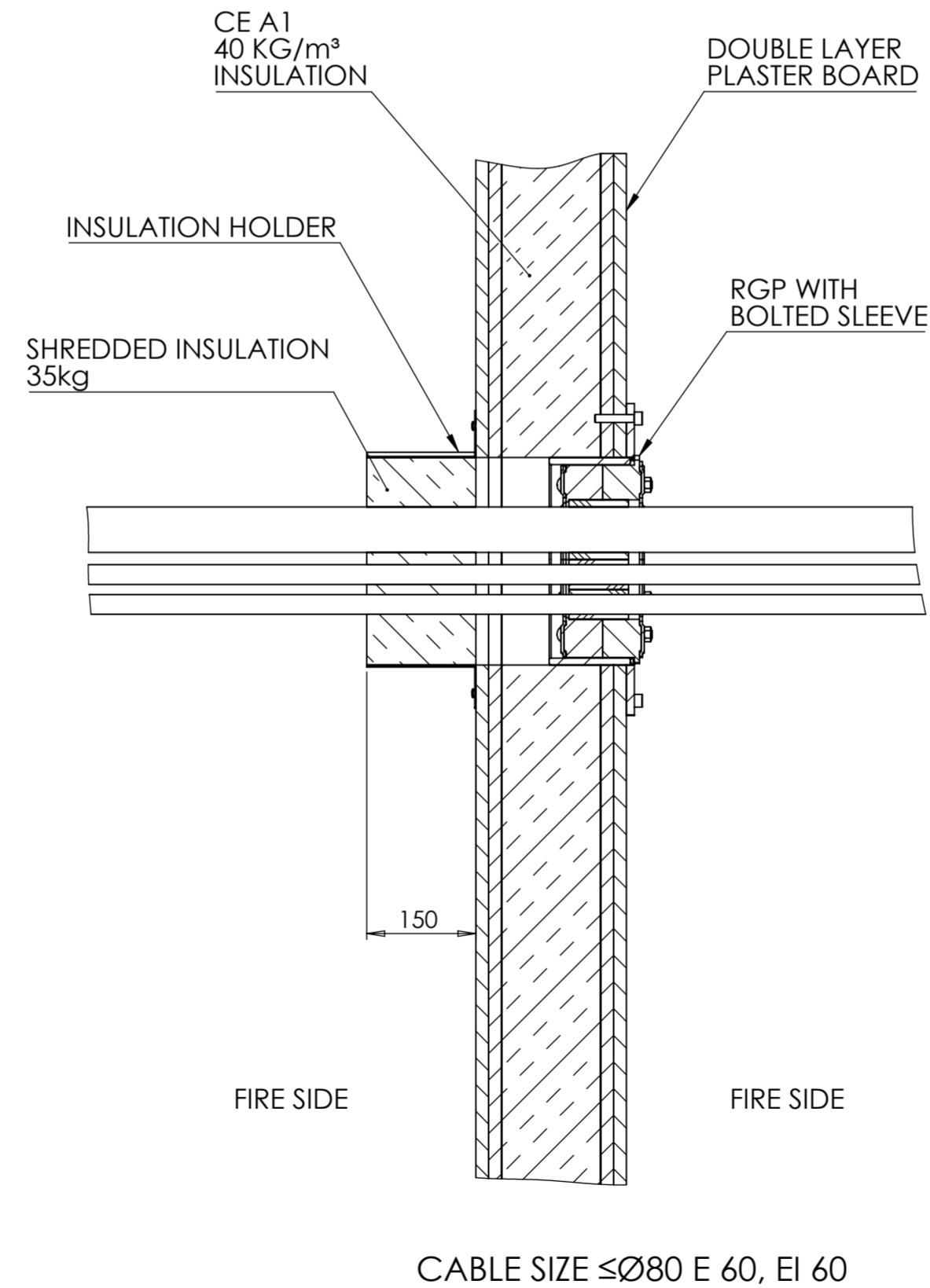
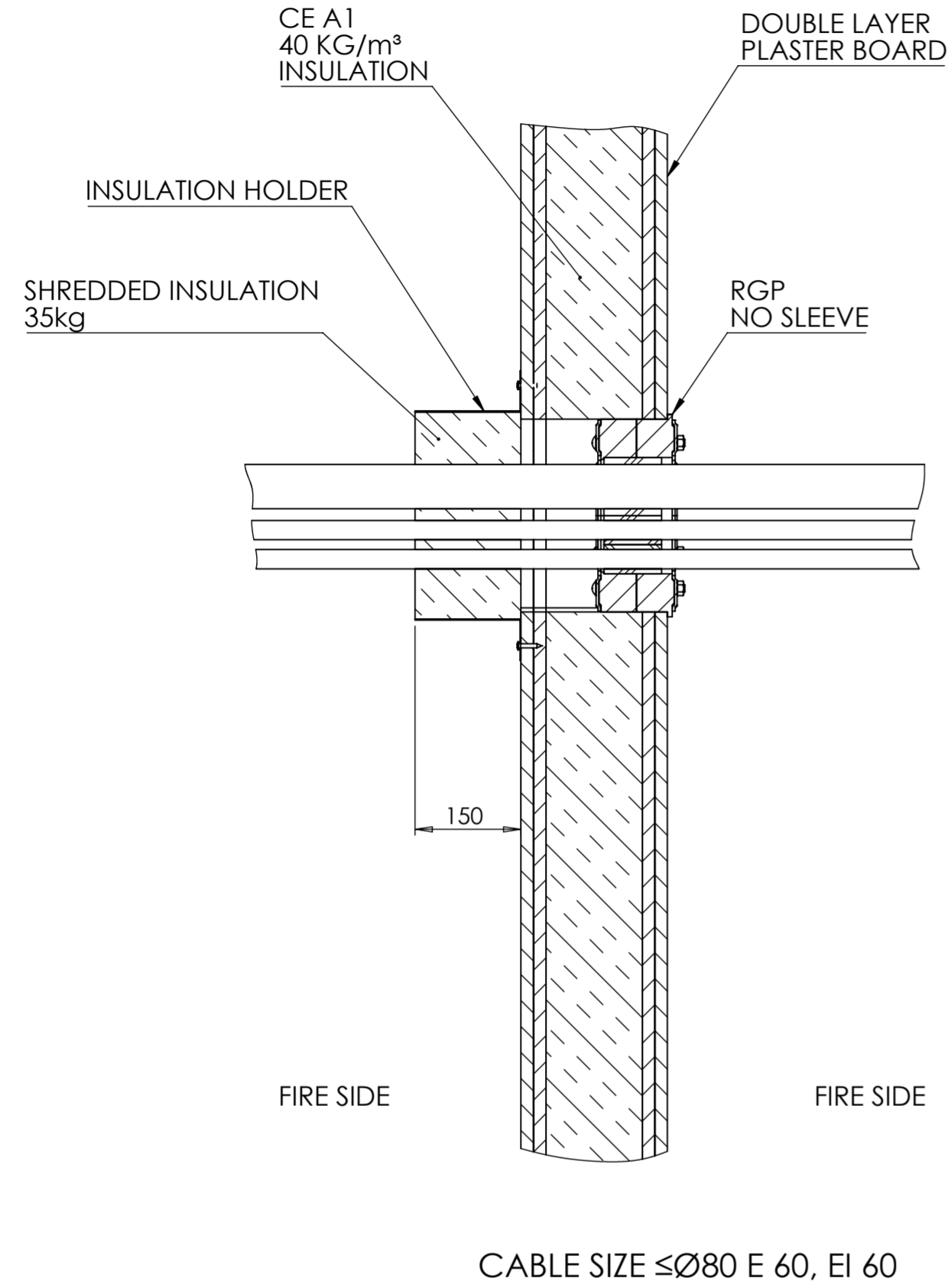


EI 240

Ritad Drawn	Kontr. Check	Granskad Reviewed	Godkänd Approved	Tolerans där ej annat anges Tolerance unless otherwise not stated.	Smst. nr. Assembly drawing no.	Ersätter Replaces	1180118/30	E
PB	PB	LS	OF	Ytjämnhet där ej annat anges. Surface finish otherwise not stated.	Material	Ersatt av Replaced of		Vikt Weight
250212	250212	250218	250304			Alla mått och uppgifter avser färdig produkt om ej annat anges All measures and other information refer to finished products unless otherwise not stated.		
				ETA CONCRETE WALL/FLOOR INSULATION PIPE RGP		Kund ordernr. Customer order no		
						Ritn. nr. Draw. no.		1250067

THIS DOCUMENT MUST NOT BE COPIED WITHOUT OUR WRITTEN PERMISSION, AND THE CONTENTS THEREOF MUST NOT BE IMPARTED TO A THIRD PARTY OR USED FOR ANY UNAPPROVED PURPOSE. CONTRAVENTION WILL BE PROSECUTED.

REVISIONS			
REV.	DESCRIPTION	DATE	SIGNATURE
A		2025-02-18	PB



Ritad Drawn	Kontr. Check	Granskad Reviewed	Godkänd Approved	Tolerans där ej annat anges Tolerance unless otherwise not stated.	Smsl. nr. Assembly drawing no.	Ersätter Replaces	E
PB	PB	OF	OF	Ytjämnhet där ej annat anges. Surface finish otherwise not stated.	Material	Ersatt av Replaced of	Vikt Weight
250212	250304	250304	250304			Alla mått och uppgifter avser färdig produkt om ej annat anges. All measures and other information refer to finished products unless otherwise not stated.	
						Kund ordernr. Customer order no.	
ETA PLASTERBOARD WALL INSULATION DRAWING RGP / RGG						Ritn. nr. Draw. no.	Rev.
						1250068	A