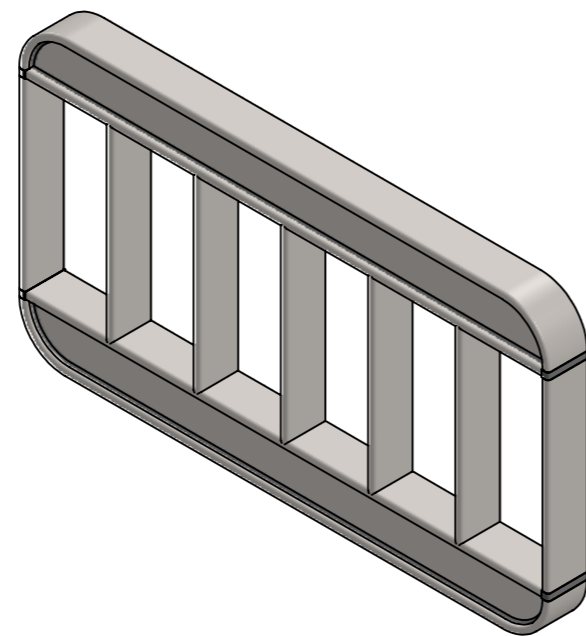
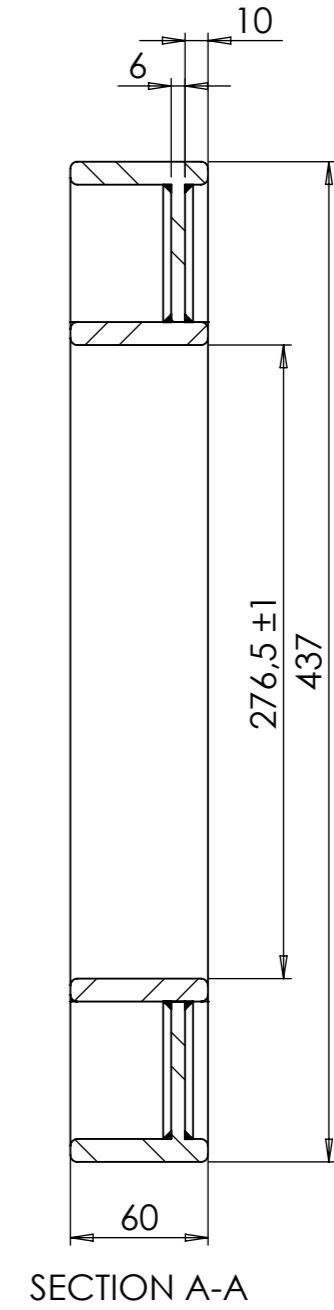
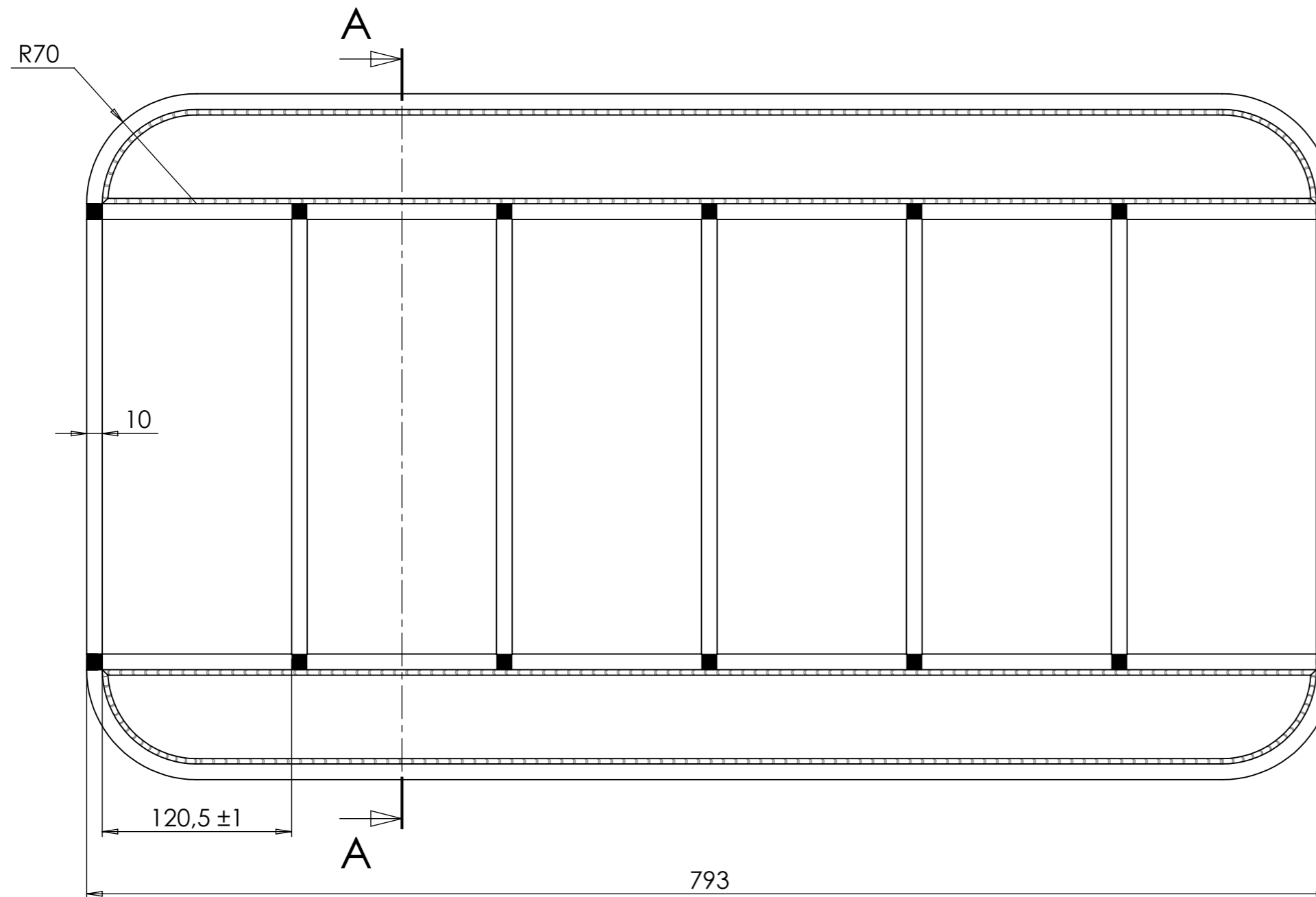


THIS DOCUMENT MUST NOT BE COPIED WITHOUT OUR WRITTEN PERMISSION, AND THE CONTENTS THEREOF MUST NOT BE IMPARTED TO A THIRD PARTY NOR BE USED FOR ANY UNAUTHORIZED PURPOSE. CONTRAVENTION WILL BE PROSECUTED.

| REVISIONS | | | |
|-----------|-------------|------------|-----------|
| REV. | DESCRIPTION | DATE | SIGNATURE |
| A | | 2019-11-22 | JA |



| | | | | | | | |
|----------------|-----------------|----------------------|---------------------|---|-----------------------------------|---|----------------|
| Ritad Drawn | Kontr. Check | Granskad Reviewed | Godkänd Approved | Tolerans där ej annat anges Tolerance unless otherwise not stated. ISO 13920-BF | Smst. nr. Assembly drawing no. | Ersätter Replaces | E |
| JA | JA | JF | ML | Ytjämnhet där ej annat anges. Surface finish otherwise not stated. | Material | Ersatt av Replaced of | Vikt Weight |
| 191118 | 191125 | 191209 | 200109 | | | Alla mått och uppgifter avser färdig produkt om ej annat anges. All measures and other information refer to finished products unless otherwise not stated. | |
| | | | | RGSR-8x6 INFORMATION DRAWING | | Kund ordernr. Customer order no | |
| | | | | | | Ritn. nr. Draw. no. | Rev. |
| | | | | | | 1190627 | A |