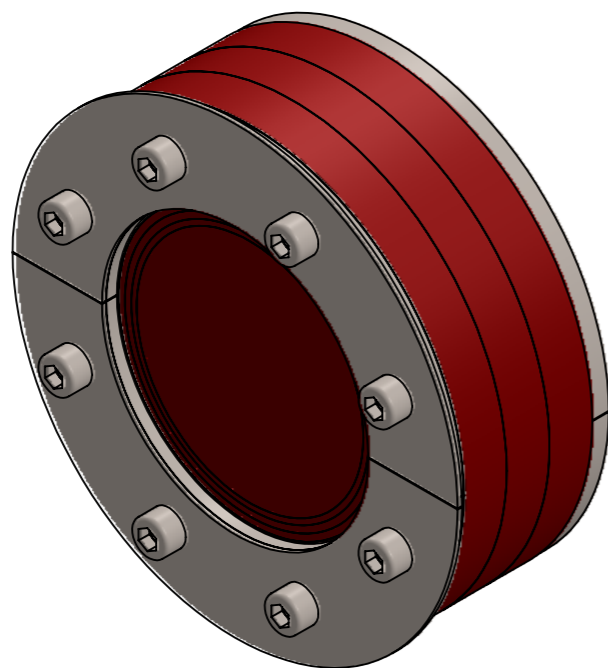
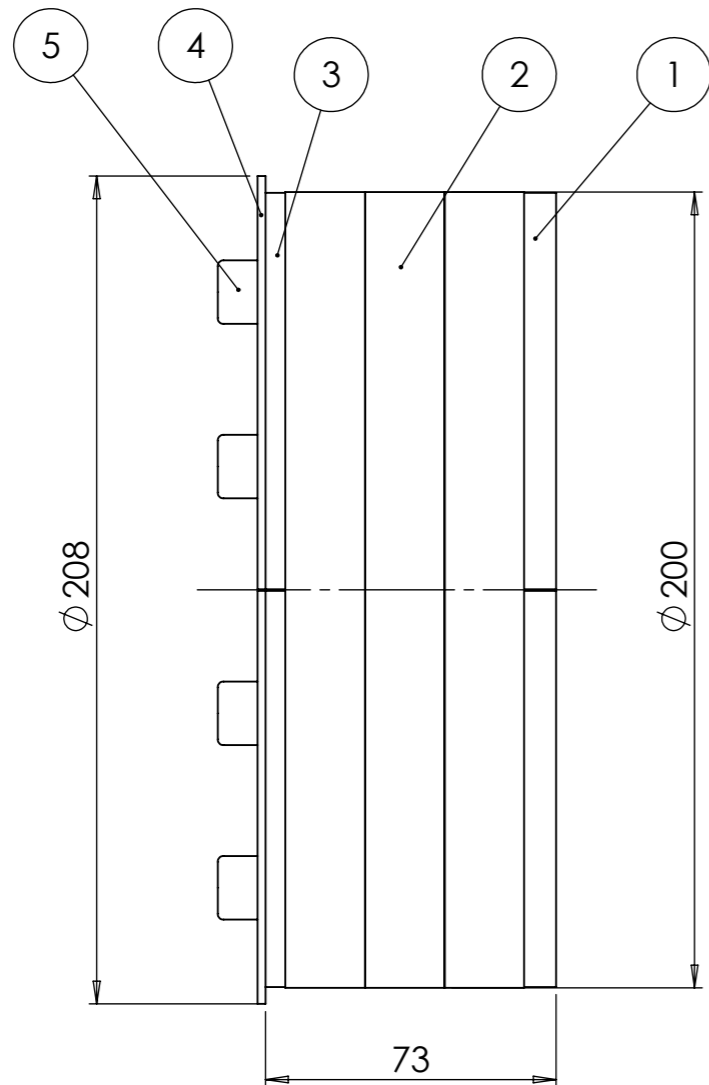
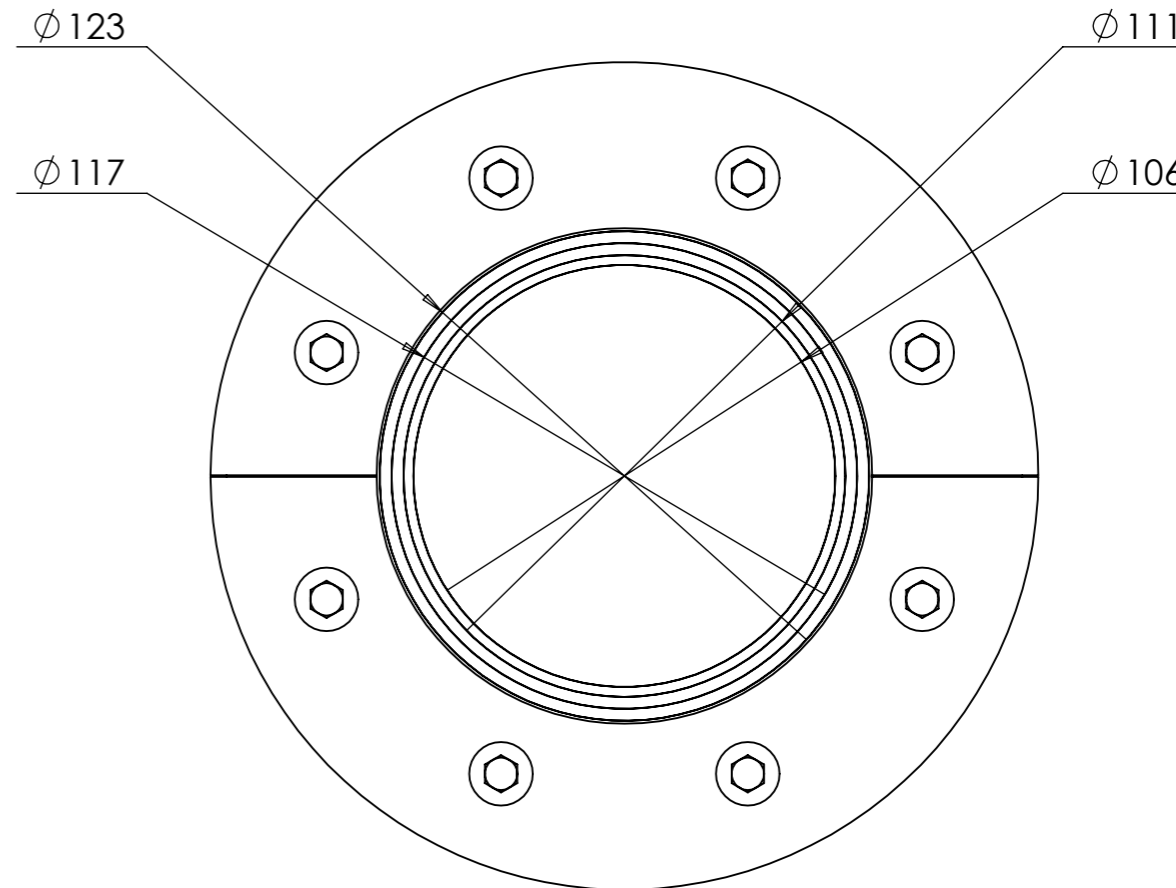


THIS DOCUMENT MUST NOT BE COPIED WITHOUT OUR WRITTEN PERMISSION, AND THE CONTENTS THEREOF MUST NOT BE IMPARTED TO A THIRD PARTY NOR BE USED FOR ANY UNAUTHORIZED PURPOSE. CONTRAVENTION WILL BE PROSECUTED.



REVISIONS			
REV.	DESCRIPTION	DATE	SIGNATURE
A		2020-04-06	JA
B	SCREW UPDATED	2023-09-20	PB



ITEM NO.	TITLE	DRAW. No. / DESCRIPTION / MATERIAL	QTY.
1	BACK PLATE	1230291 / 8mm / 316	1
2	SEAL	20mm / SILICON	3
3	FRONT PLATE	1230291 / 5mm / 316	1
4	CAPTURE PLATE	1230291 / 2mm / 316	1
5	SCREW	ISO 4762 / M10x75 / A4	8

Ritad Drawn	Kontr. Check	Granskad Reviewed	Godkänd Approved	Tolerans där ej annat anges Tolerance unless otherwise not stated. ISO 2768-m	Smst. nr. Assembly drawing no.	Ersätter Replaces	E
JA	PB	LS	ML	Ytjämnhet där ej annat anges. Surface finish otherwise not stated.	Material	Ersatt av Replaced of	Vikt Weight 5,8 KG
200406	230920	230920	230920		SILICON / 316	Alla mått och uppgifter avser färdig produkt om ej annat anges All measures and other information refer to finished products unless otherwise not stated.	
						Kund ordernr. Customer order no	
						Ritn. nr. Draw. no.	Rev.
						1200154	B