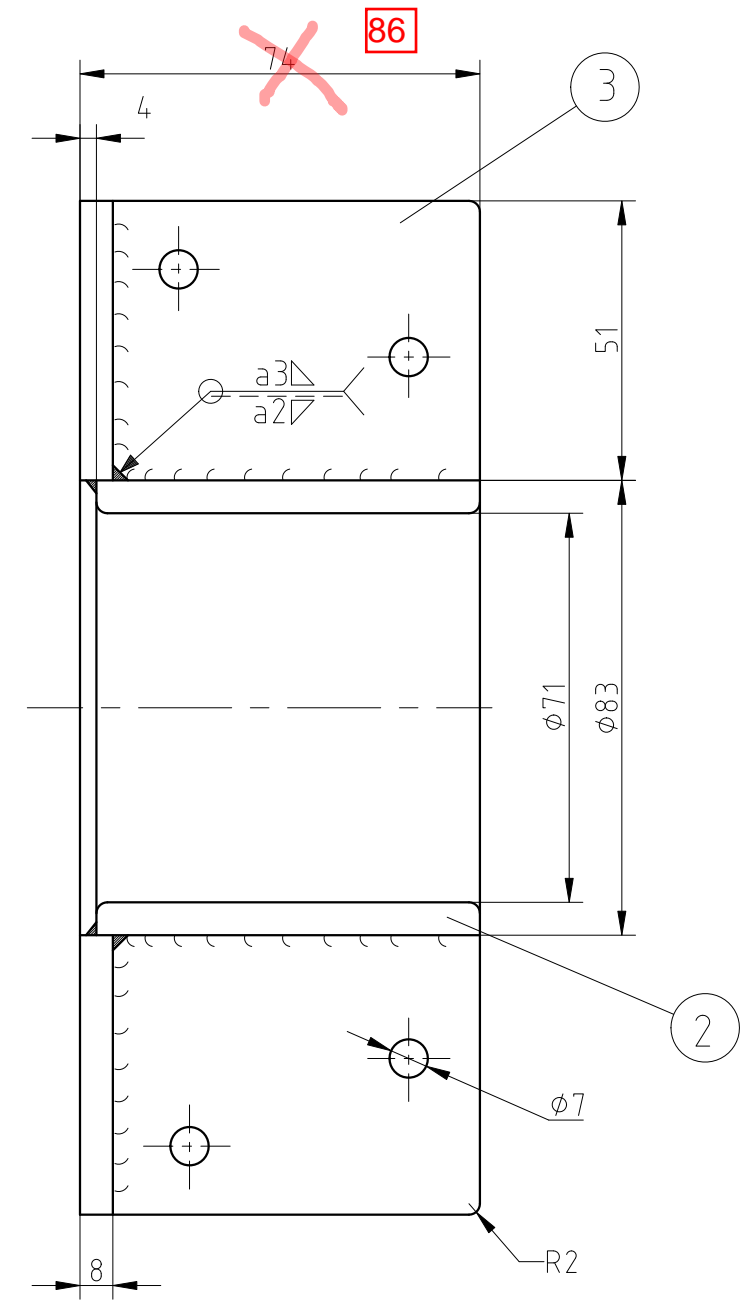
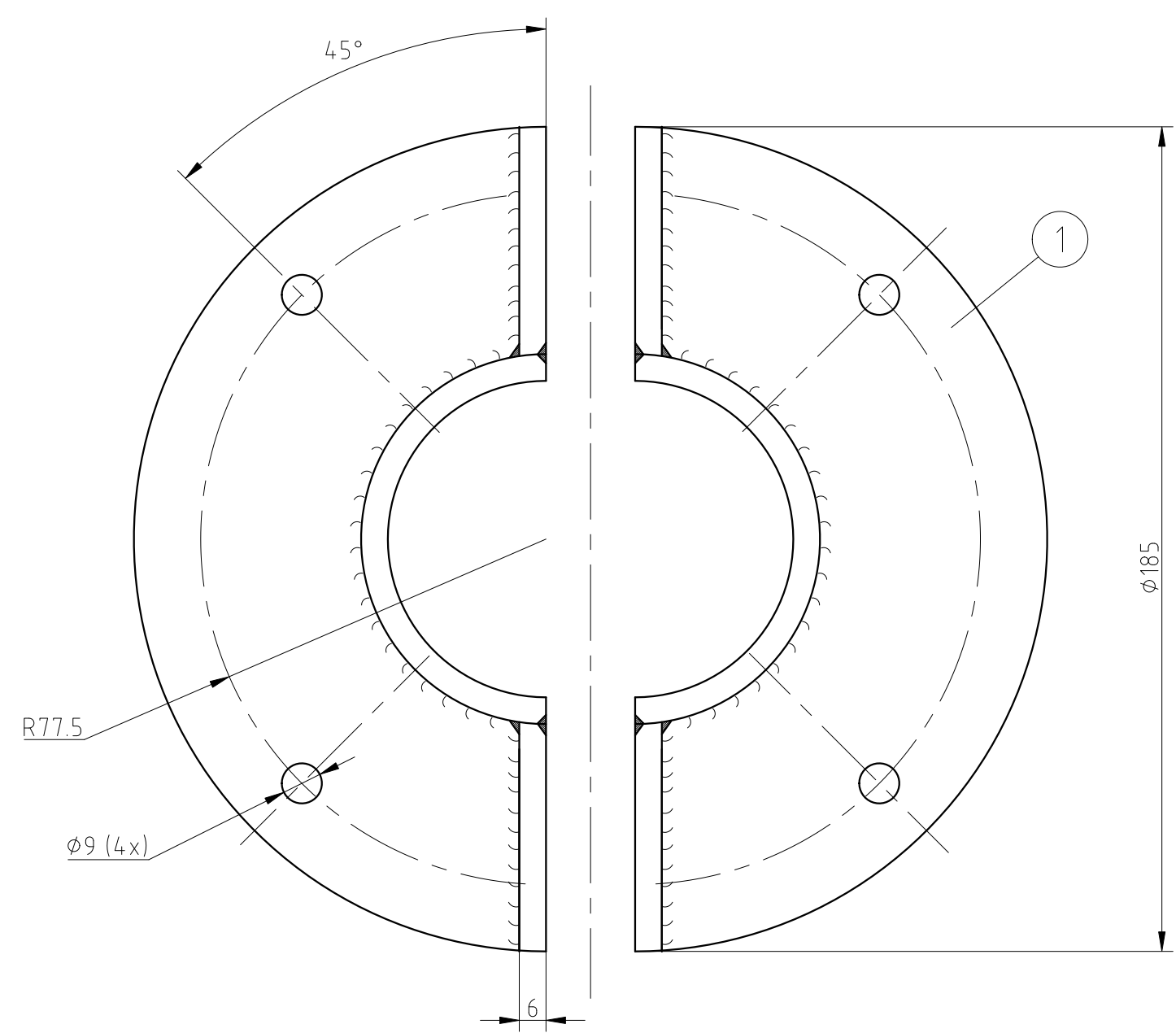


THIS DOCUMENT MUST NOT BE COPIED WITHOUT OUR WRITTEN PERMISSION, AND THE CONTENTS THEREOF MUST NOT BE IMPARTED TO A THIRD PARTY NOR BE USED FOR ANY UNAUTHORIZED PURPOSE. CONTRAVENTION WILL BE PROSECUTED.

Nr No	Orienterings- ruta Orientation square	Ändring eller meddelande Revision or message.	Ändr. v Rev./week	Sign.	Godkänd Approved
A		PRODUCTION DRAWING	9923	BO	TF
B-C		DRAWING FORM CHANGED, MATERIAL UPDATED	0937	BO	TF
D		CHANGED HOLE PATTERN	1213	AK	TF
E		CHANGED FROM 6 TO 4 HOLES	1914	AK	BJ



WARNING: THIS IS A CERTIFICATE RELATED PRODUCT.
ANY CHANGES ARE NOT PERMITTED WITHOUT REFERENCE
TO THE AUTHORIZED PERSON.

3	4	FIXING			DRAW No: 1090254
2	1	S-70			DRAW No: 103322
1	1	FLANGE			DRAW No: 1090253
Pos nr Pos no	Antal No.	Benämning Title		Best. nr./ Ritn. nr / Dimension / material Order no. / Draw. no. / Material	Note Note
Ritad Drawn	Kontr. Check	Granskad Reviewed	Godkänd Approved	Tolerans där ej annat anges Tolerance unless otherwise not stated. ISO 13920 BF	Smst. nr. Assembly drawing no.
BO	AK	LS	BJ	Ytjämnhet där ej annat anges Surface finish otherwise not stated.	Ersätter Replaces
990602	190404	190404	190404		Ersatt av Replaced of
				SFRBO-70	E
					Vikt Weight
				Alla mått och uppgifter avser färdig produkt om ej annat anges All measures and other information refer to finished products unless otherwise not stated.	
				Kund ordernr. Customer order no	Rev.
				Ritn. nr. Draw. no.	E
				103330	