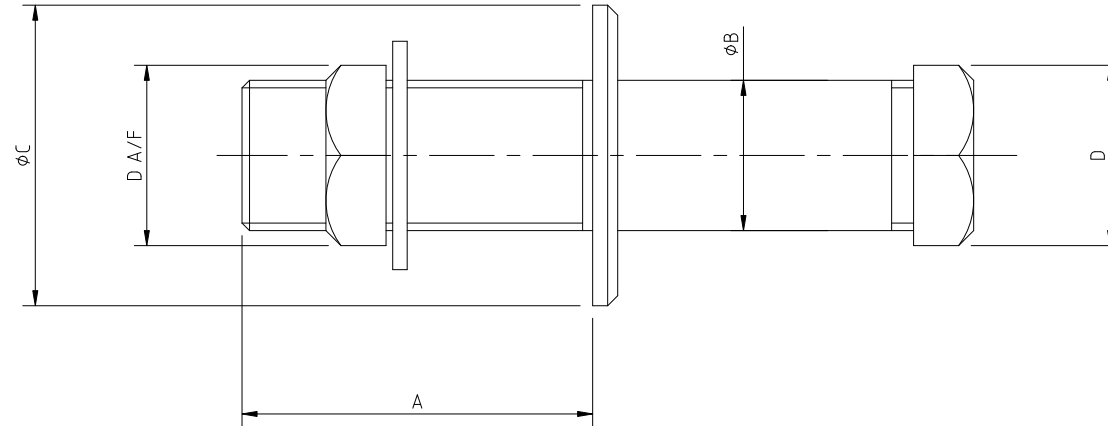


THIS DOCUMENT MUST NOT BE COPIED WITHOUT OUR WRITTEN PERMISSION, AND THE CONTENTS THEREOF MUST NOT BE IMPARTED TO A THIRD PARTY NOR BE USED FOR ANY UNAUTHORIZED PURPOSE. CONTRAVENTION WILL BE PROSECUTED.

Nr No	Drägerings ruta Orientation square	Ändring eller meddelande Revision or message.	Ändr. v Rev./week	Sign.	Godkänd Approved
A		FOR MANUFACTURING	090608	AP	TF



SIZE REF	CABLE RANGE		GLAND 70mm THREAD LENGTH				NUT		MCT BRATTBERG STOCK CODE
			THREAD LENGTH A	DIA B	THREAD METRIC 8g	FLANGE DIA C	BACK	LOCK	
	ACROSS FLATS D								
M16	4.0	16.0	70.0	33.0	M33 x 2	79.0	46.0	46.0	6-M16-75-70-A
M25	13.0	25.0	70.0	50.0	M50 x 2	79.0	67.0	67.0	6-M25-75-70-A
M35	23.0	35.0	70.0	60.0	M60 x 2	100.0	80.0	80.0	6-M35-75-70-A
M50	32.0	50.0	70.0	75.0	M75 x 2	120.0	100.0	100.0	6-M50-75-70-A
M60	48.0	60.0	70.0	90.0	M90 x 2	150.0	120.0	120.0	6-M60-75-70-A

Pos nr Pos no	Antal No	Benämning Title				Best. nr./ Ritn. nr / Dimension / material Order no. / Draw. no. / Material		Note Note
Ritad Drawn	Kontr. Check	Gransk. Reviewed	Godkänd Approved	Tolerans där ej annat anges Tolerance unless otherwise not stated.		Sätts, nr. Assembly drawing no.		Ersätter Replaces
NG	BO	JF	TF	Ytjämnhet där ej annat anges Surface finish otherwise not stated.		Ersatt av Replaced of		Vikt Weight
090601	091214	091215	091216	Alla mått och uppgifter avser färdig produkt om ej annat anges All measures and other information refer to finished products unless otherwise not stated.		Kund ordernr. Customer order no.		
		75mm GLAND ASSEMBLY WITH 70mm THREAD LENGTH				Ritn. nr. Draw. no.		Rev.
						1090332		A