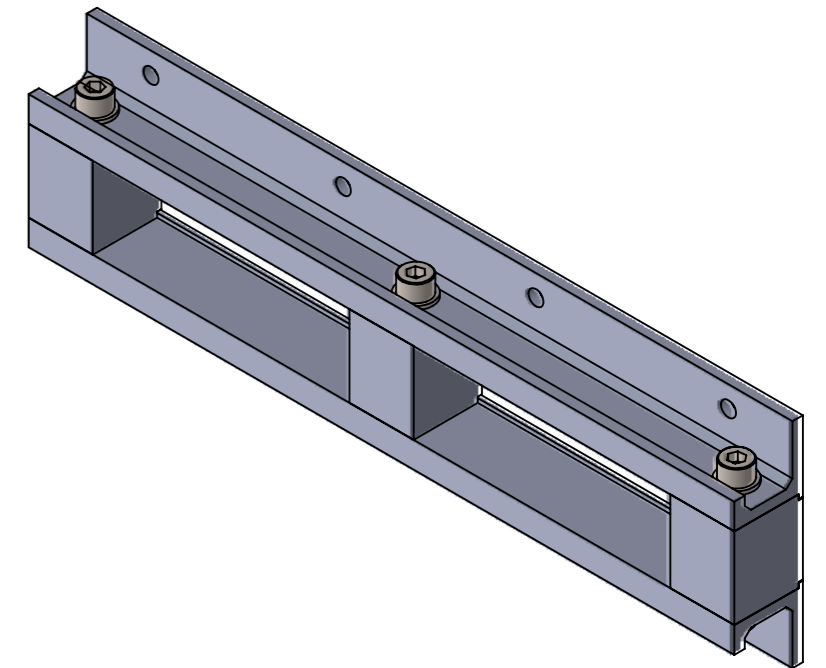
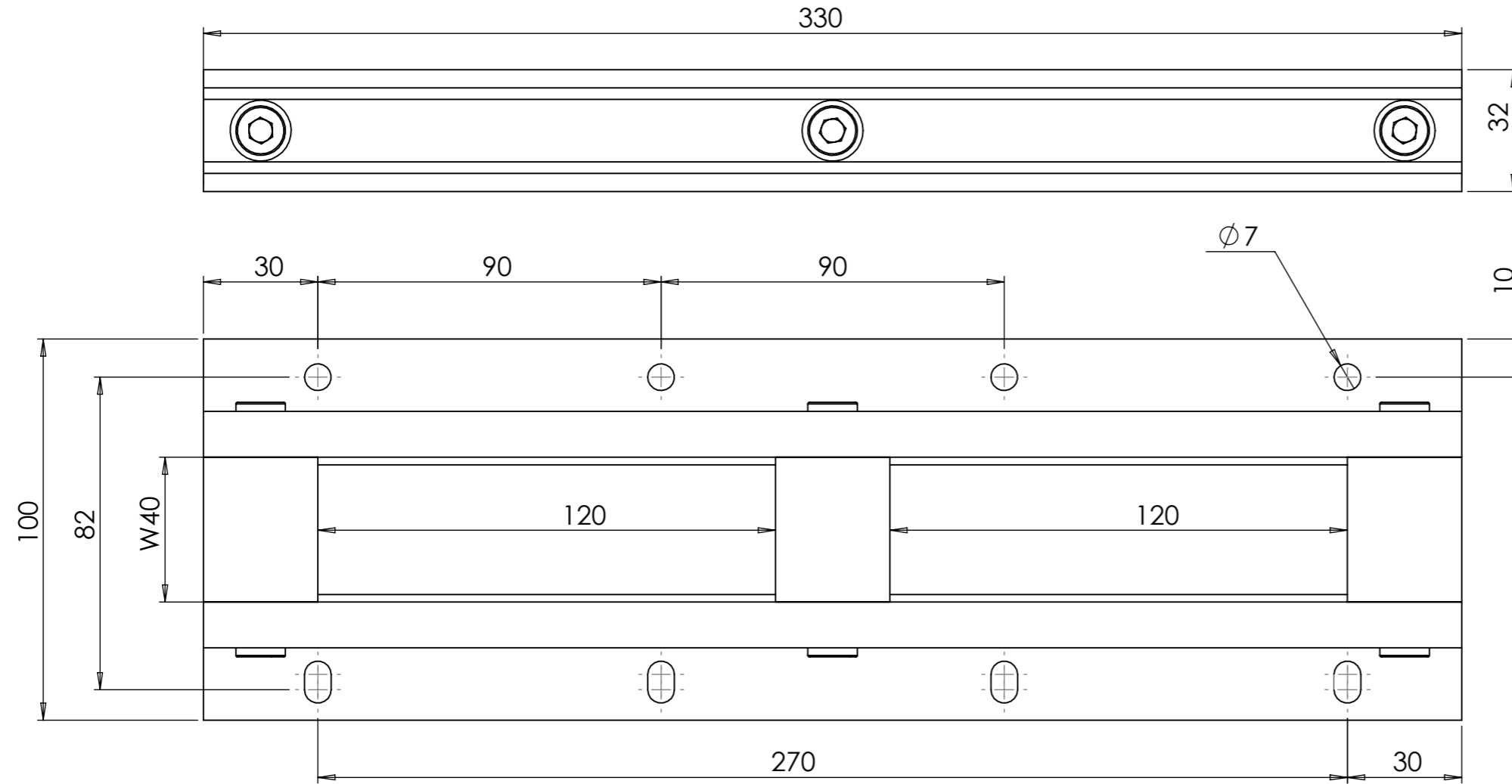
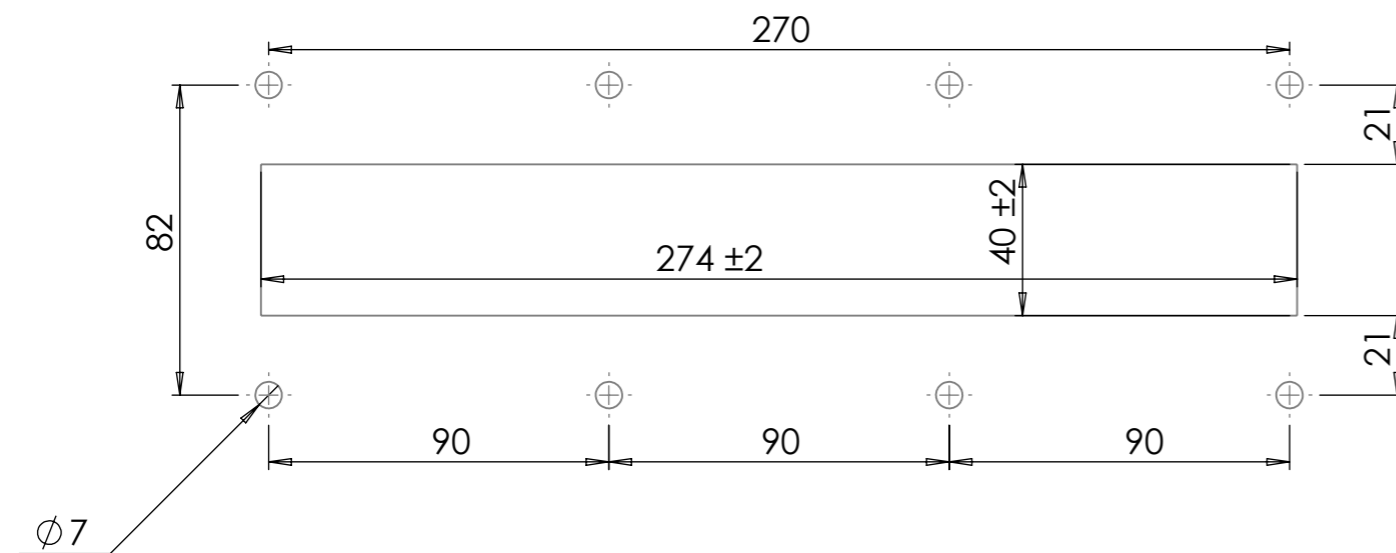


THIS DOCUMENT MUST NOT BE COPIED WITHOUT OUR WRITTEN PERMISSION, AND THE CONTENTS THEREOF MUST NOT BE IMPARTED TO A THIRD PARTY NOR BE USED FOR ANY UNAUTHORIZED PURPOSE. CONTRAVENTION WILL BE PROSECUTED.

| REVISIONS | | | |
|-----------|-----------------|------------|-----------|
| REV. | DESCRIPTION | DATE | SIGNATURE |
| A | | 2024-05-24 | SS |
| B | CUT OUT UPDATED | 2024-09-03 | SS |



CUT OUT



| | | | | | | | |
|----------------|-----------------|----------------------|---------------------|--|--|--|----------------|
| Ritad Drawn | Kontr. Check | Granskad Reviewed | Godkänd Approved | Tolerans där ej annat anges Tolerance unless otherwise not stated. ISO 2768-m | Smst. nr. Assembly drawing no. 1240202 | Ersätter Replaces | E |
| SS | SS | PB | ML | Ytjämnhet där ej annat anges. Surface finish otherwise not stated. | Material ALUMINIUM | Ersatt av Replaced of | Vikt Weight |
| 240513 | 240903 | 240903 | 240930 | | | Alla mått och uppgifter avser färdig produkt om ej annat anges All measures and other information refer to finished products unless otherwise not stated. | |
| | | | | ALF-120+120 w40 INFORMATION DRAWING | | Kund ordernr. Customer order no | |
| | | | | | | Ritn. nr. Draw. no. | Rev. |
| | | | | | | 1240195 | B |