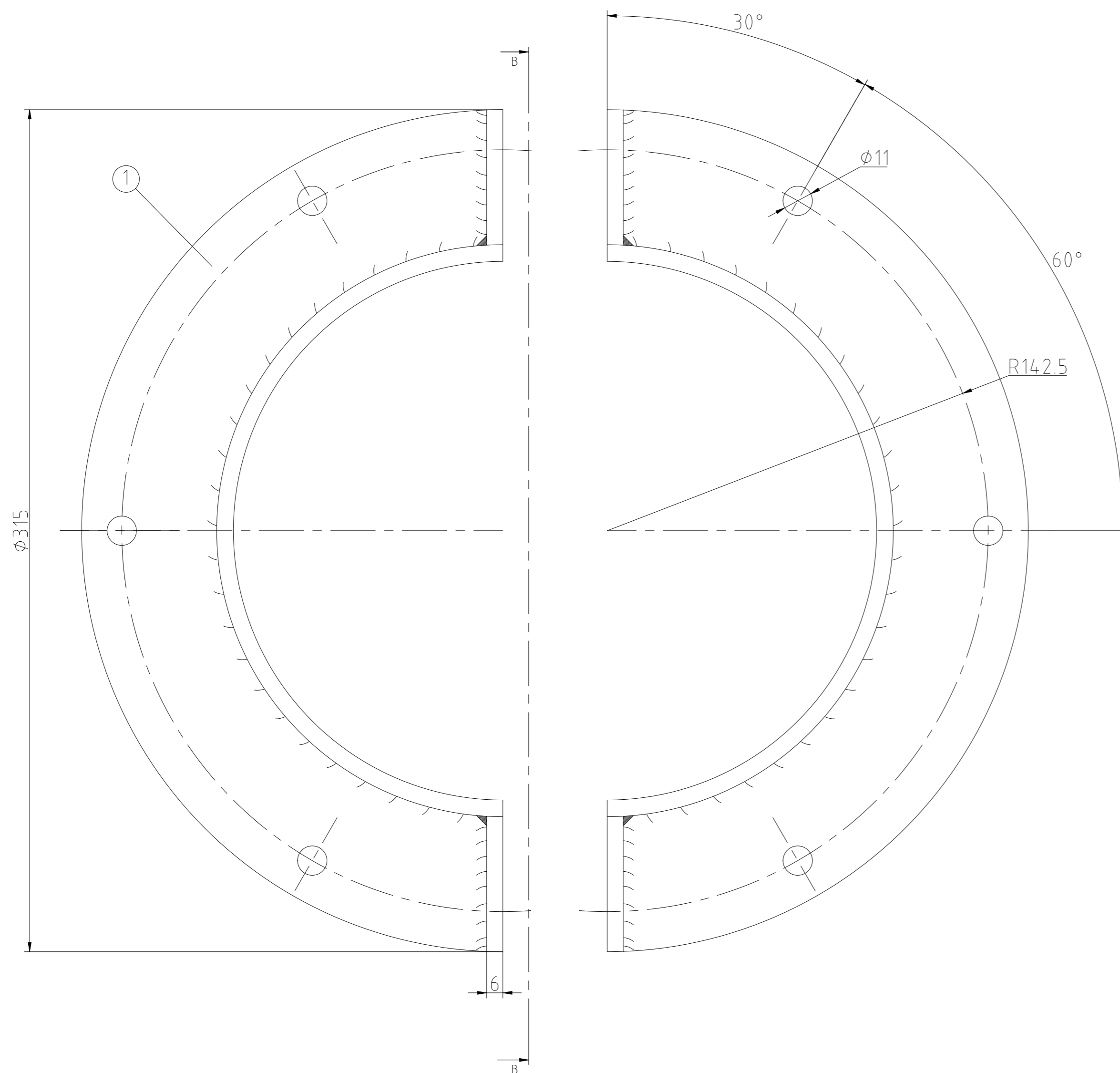
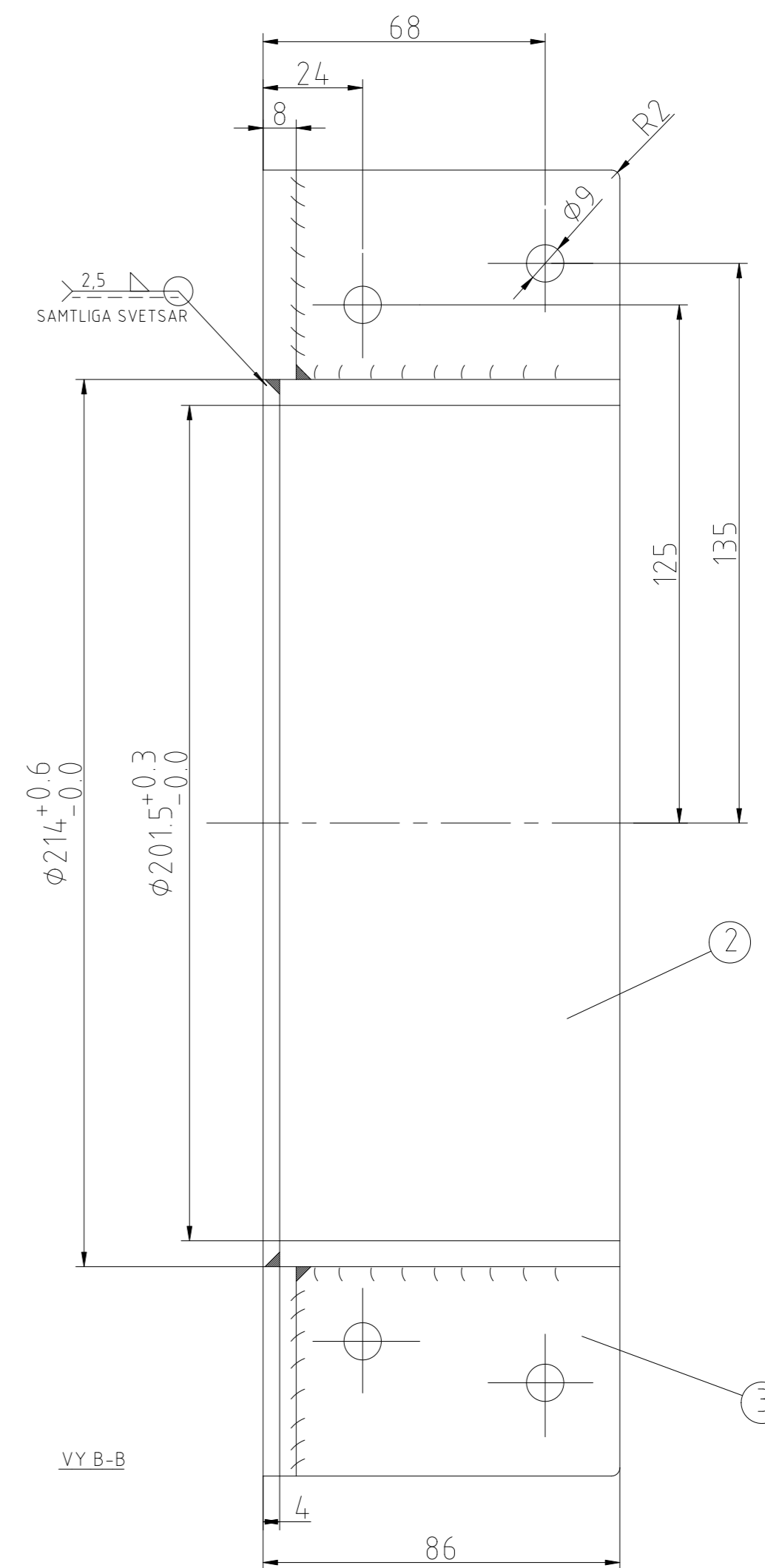


THIS DOCUMENT MUST NOT BE COPIED WITHOUT OUR WRITTEN PERMISSION, AND THE CONTENTS THEREOF MUST NOT BE IMPARTED TO A THIRD PARTY NOR BE USED FOR ANY UNAUTHORIZED PURPOSE. CONTRAVENTION WILL BE PROSECUTED.



No	Ändr. v	Örterings-ruta	Ändring eller meddelande	Ändr. v	Sign.	Godkänd
No	Rev./week	Orientation square	Revision or message.	Rev./week		Approved
01			REDRAWN IN AUTOCAD	9904	BO	TF
A-C			DRAWING FORM CHANGED, MATERIAL UPDATED	0949	BO	TF
D			CHANGED HOLE PATTERN FROM R132 TO R142,5	1326	AK	TF
E			CHANGED HOLE PATTERN FROM 8 HOLES TO 6	1835	JA	ML



3	4		S355, 316L, EN AW-6082	DRAW No: 140871
2	1		S355, 316L, EN AW-6082	DRAW No: 130910
1	2		S355, 316L, EN AW-6082	DRAW No: 1180045
Pos nr	Antal	Benämning	Best. nr. / Ritn. nr / Dimension / material	Note
Pos no	No	Title	Order no. / Draw. no. / Material	Note
Ritad	Kontr.	Granskad	Godkänd	Approv.
Drawn	Check	Reviewed	Approved	
BO	JA	AK	ML	
931209	180827	180827	180831	
Tolerans där ej annat anges Tolerance unless otherwise not stated		Smst. nr. Assembly drawing no.		Ersätter Replaces
ISO 13920 BF				Ersatt av Replaced of
Ytjämnhet där ej annat anges Surface finish otherwise not stated				Vikt Weight
Alla mått och uppgifter avser färdig produkt om ej annat anges All measures and other information refer to finished products unless otherwise not stated.				Kund ordernr. Customer order no
SFRB0-200				Ritn. nr. Draw. no.
				102097
				Rev. E

THIS IS A CERTIFICATE RELATED PRODUCT NO CHANGES WITHOUT REFERENCE TO THE AUTHORISED PERSON.

