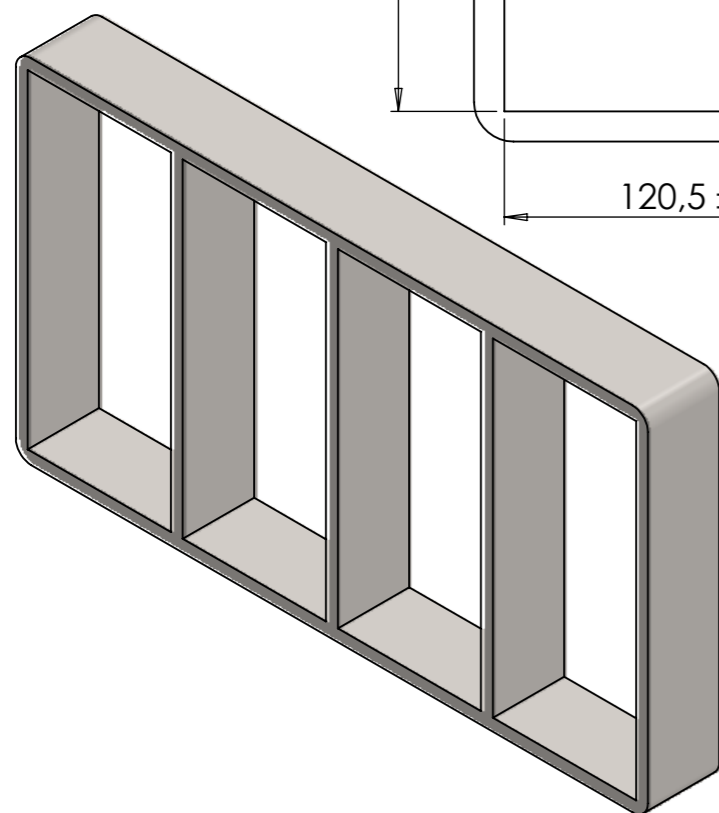
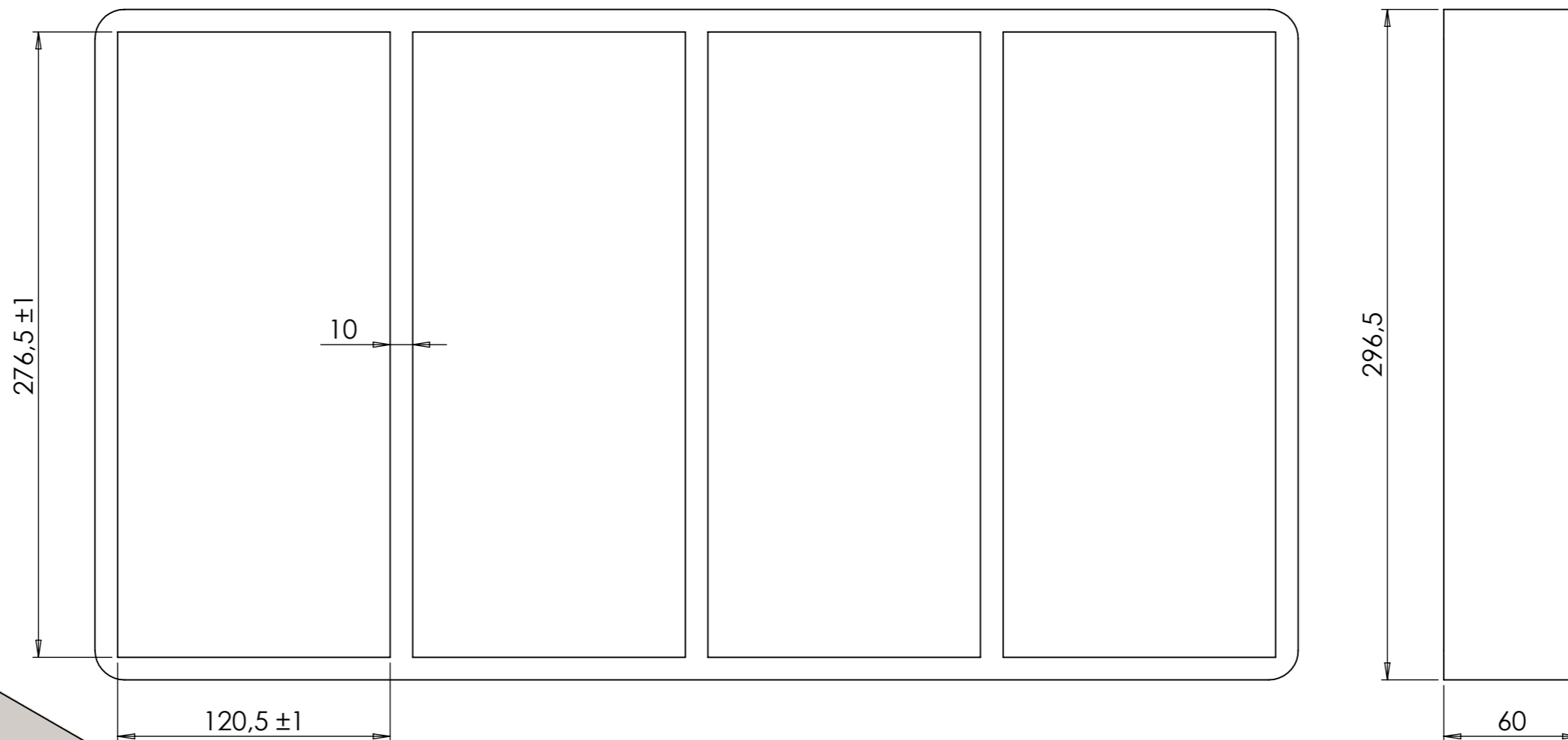
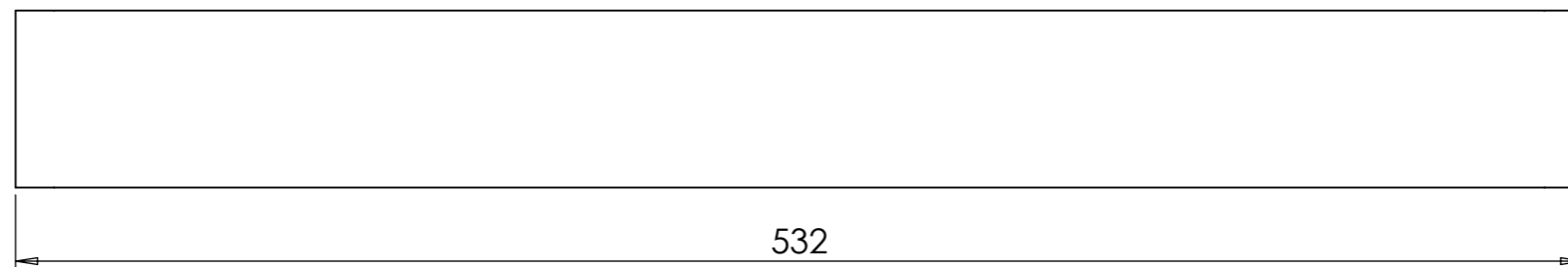


THIS DOCUMENT MUST NOT BE COPIED WITHOUT OUR WRITTEN PERMISSION, AND THE CONTENTS THEREOF MUST NOT BE IMPARTED TO A THIRD PARTY NOR BE USED FOR ANY UNAUTHORIZED PURPOSE. CONTRAVENTION WILL BE PROSECUTED.

| REVISIONS |             |            |           |
|-----------|-------------|------------|-----------|
| REV.      | DESCRIPTION | DATE       | SIGNATURE |
| A         |             | 2019-07-17 | JA        |



|                |                 |                      |                     |   |                                   |                                     |                |
|----------------|-----------------|----------------------|---------------------|---|-----------------------------------|-------------------------------------|----------------|
| Ritad<br>Drawn | Kontr.<br>Check | Granskad<br>Reviewed | Godkänd<br>Approved | Tolerans där ej annat anges<br>Tolerance unless otherwise not stated.<br>ISO 13920-BF   | Smst. nr.<br>Assembly drawing no. | Ersätter<br>Replaces                | E              |
| JA             | JA              | LS                   | BJ                  | Ytjämnhet där ej annat anges.<br>Surface finish otherwise not stated.   | Material                          | Ersatt av<br>Replaced of            | Vikt<br>Weight |
| 190717         | 190717          | 190717               | 190718              | Alla mått och uppgifter avser färdig produkt om ej annat anges.<br>All measures and other information refer to finished products unless otherwise not stated. |                                   | Kund ordernr.<br>Customer order no. |                |
|                |                 |                      |                     | RGS-8x4<br>INFORMATION DRAWING  |                                   | Ritn. nr.<br>Draw. no.              | Rev.           |
|                |                 |                      |                     |   |                                   | 1190236                             | A              |