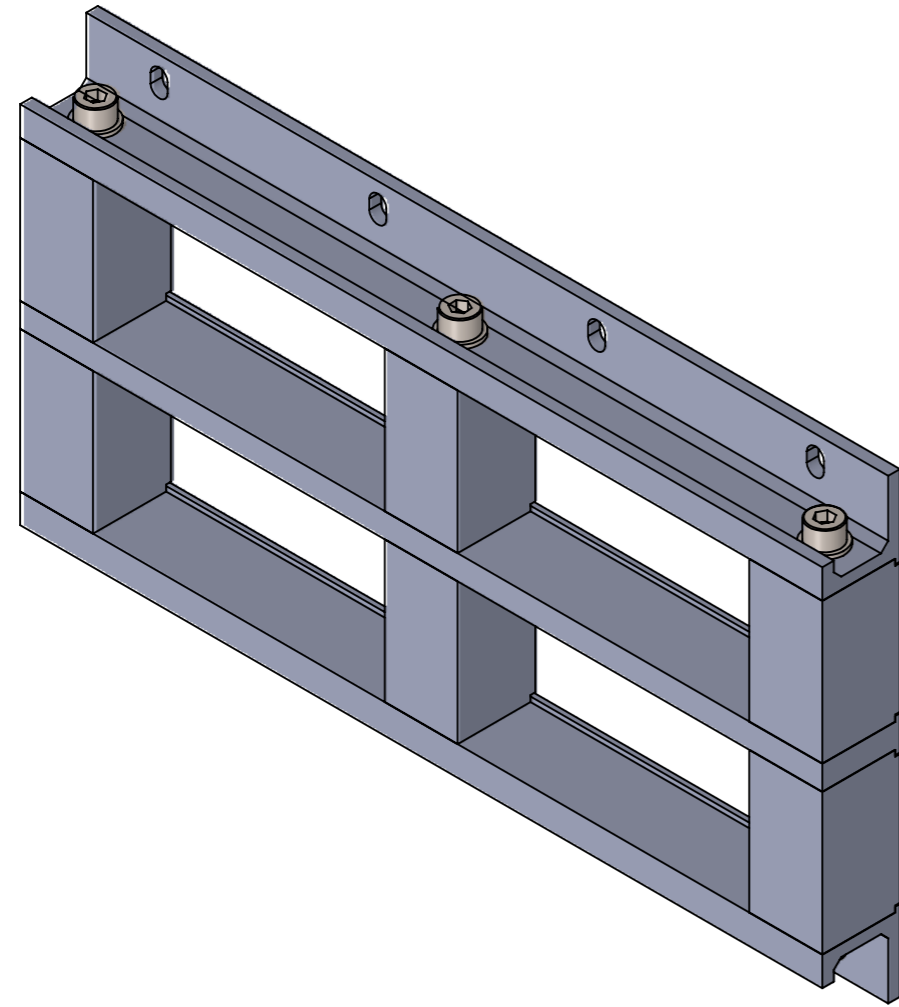
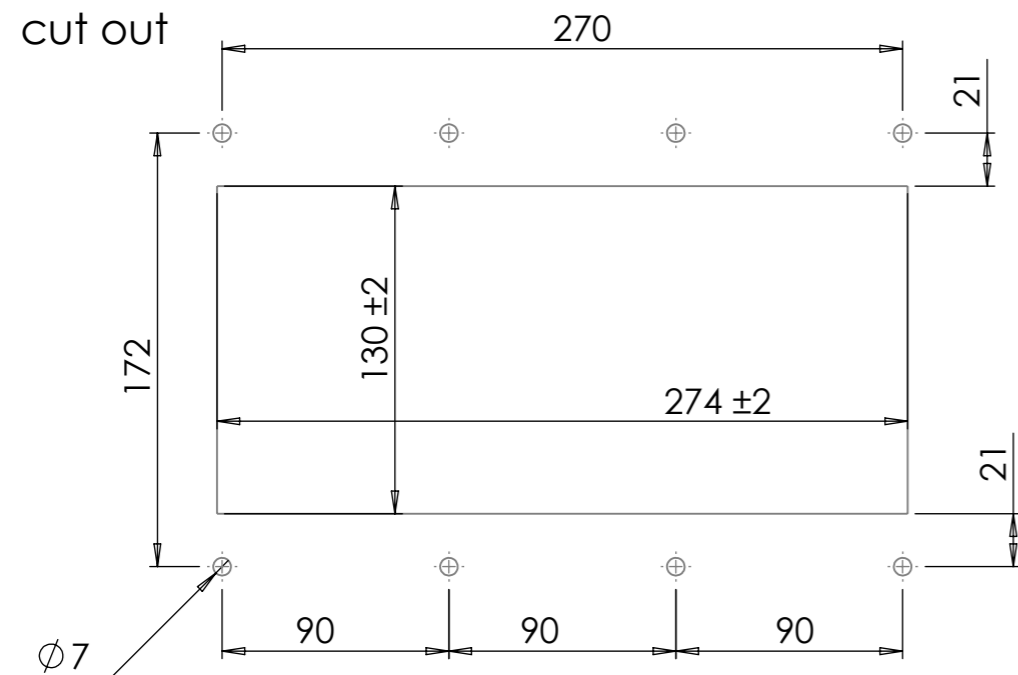
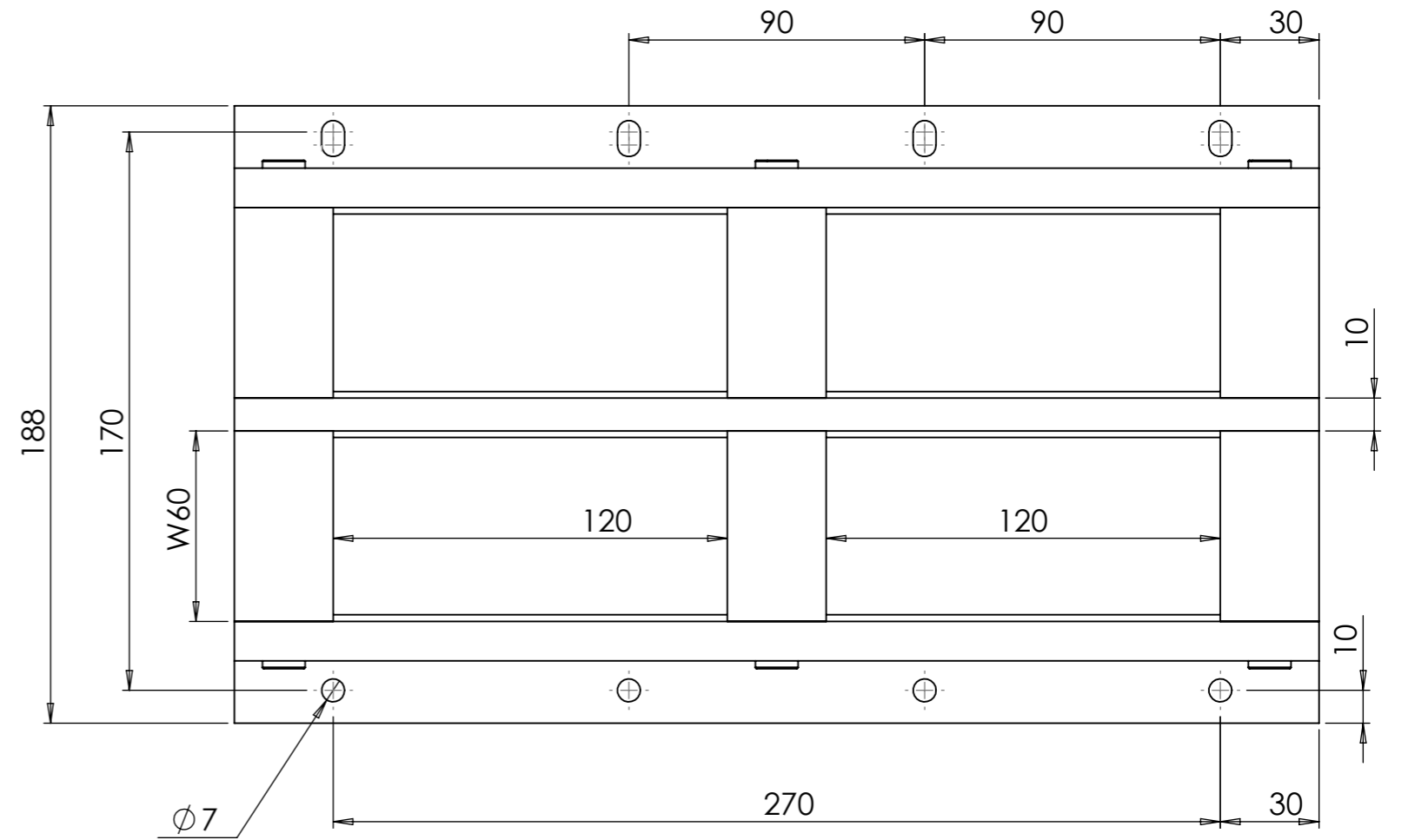
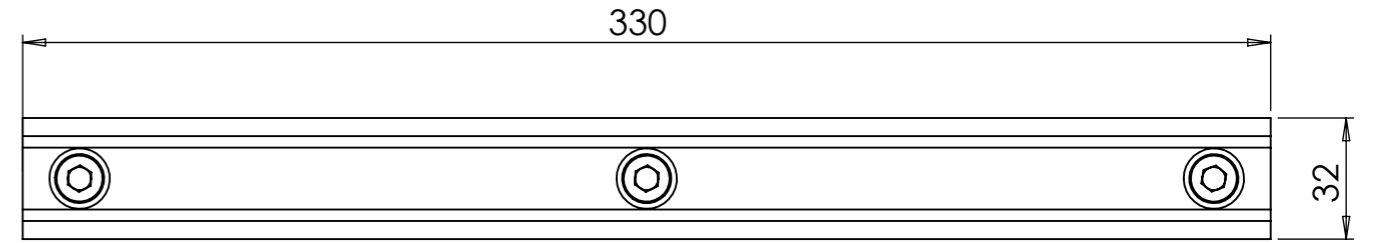


THIS DOCUMENT MUST NOT BE COPIED WITHOUT OUR WRITTEN PERMISSION, AND THE CONTENTS THEREOF MUST NOT BE IMPARTED TO A THIRD PARTY NOR BE USED FOR ANY UNAUTHORIZED PURPOSE. CONTRAVENTION WILL BE PROSECUTED.



REVISIONS			
REV.	DESCRIPTION	DATE	SIGNATURE
A		2024-05-24	SS
B	CUT OUT UPDATED	2024-09-03	SS



Ritad Drawn	Kontr. Check	Granskad Reviewed	Godkänd Approved	Tolerans där ej annat anges Tolerance unless otherwise not stated. ISO 2768 M	Smst. nr. Assembly drawing no. 124 0155	Ersätter Replaces	E
SS	SS	PB	ML	Ytjämnhet där ej annat anges. Surface finish otherwise not stated.	Material ALUMINIUM	Ersatt av Replaced of	Vikt Weight
24 04 18	24 09 03	24 09 03	24 09 30			Alla mått och uppgifter avser färdig produkt om ej annat anges All measures and other information refer to finished products unless otherwise not stated.	
				ALF-120+120x2 w60 INFORMATION DRAWING		Kund ordernr. Customer order no	
						Ritn. nr. Draw. no.	Rev.
						124 0165	B