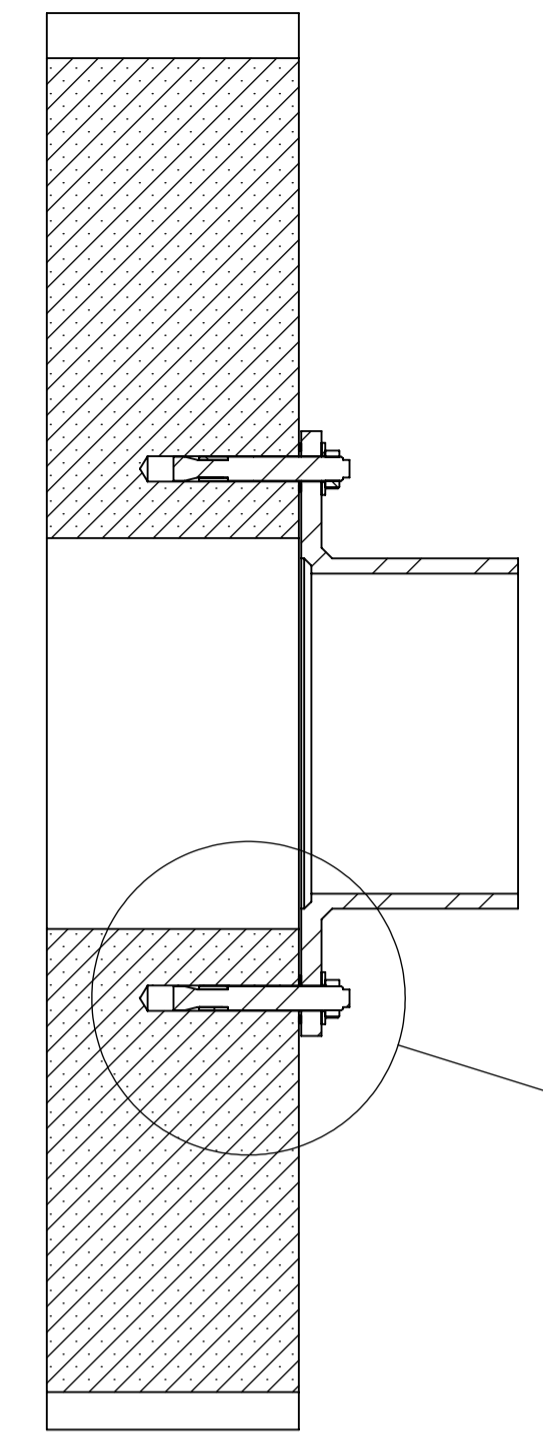
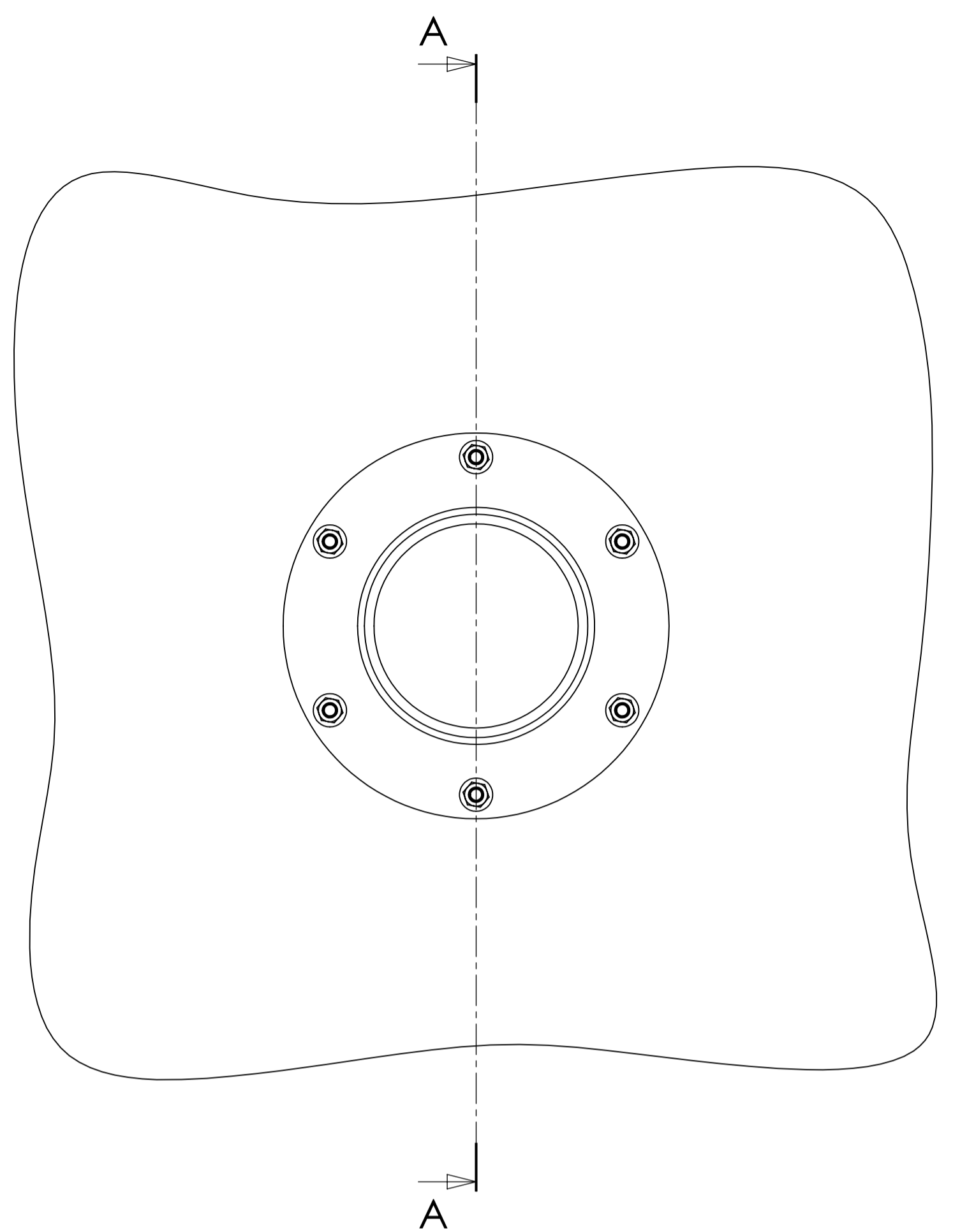
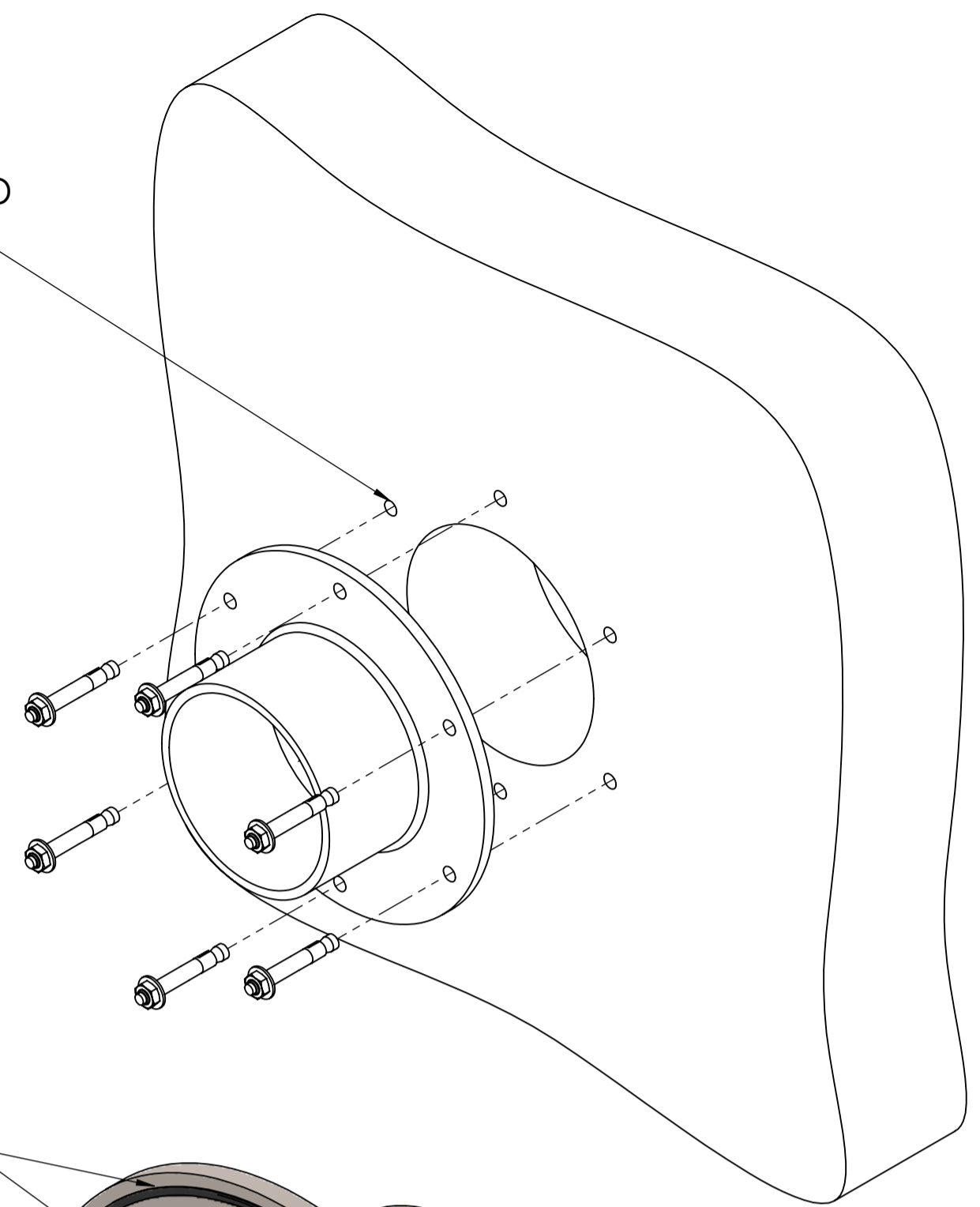


THIS DOCUMENT MUST NOT BE COPIED WITHOUT OUR WRITTEN PERMISSION AND THE CONTENTS SHALL NOT BE USED FOR ANY UNAUTHORIZED PURPOSE. CONTRAVENTION WILL BE PROSECUTED.

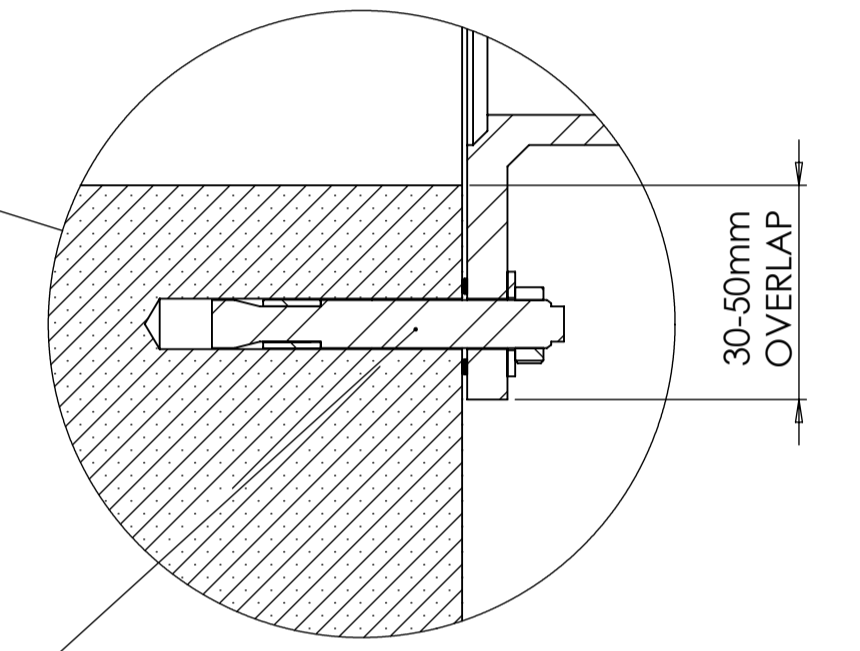
REVISIONS			
REV.	DESCRIPTION	DATE	SIGNATURE
A		2018-01-31	JA

HOLE PATTERN DRILLED TO MATCH SLEEVE



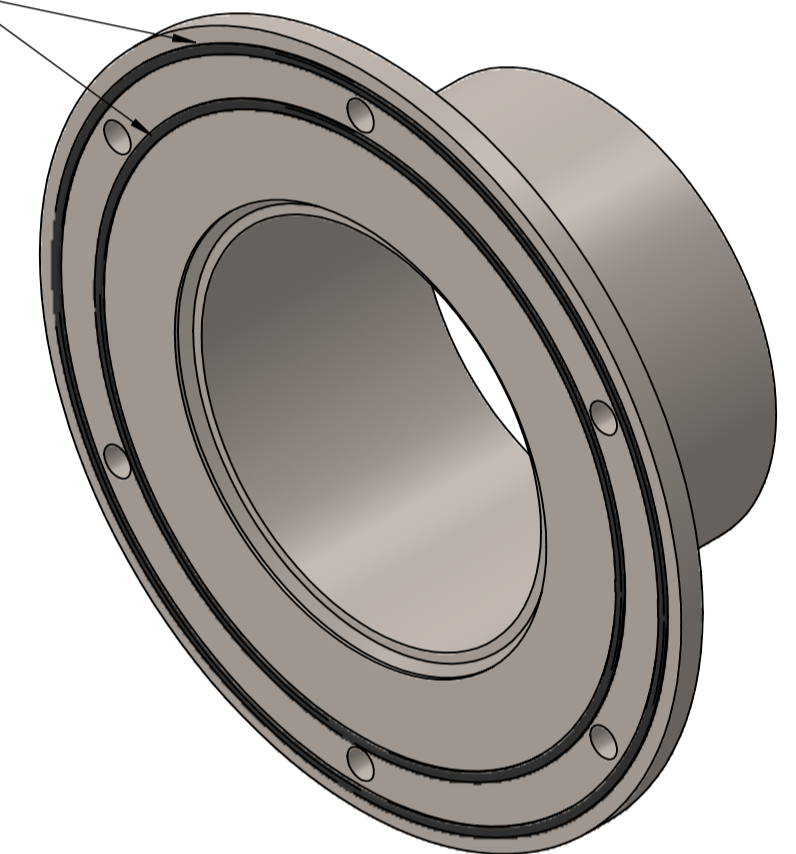
SECTION A-A

ANCHOR BOLT OR EQUIVALENT BOLT SUITABLE FOR WALL MATERIAL

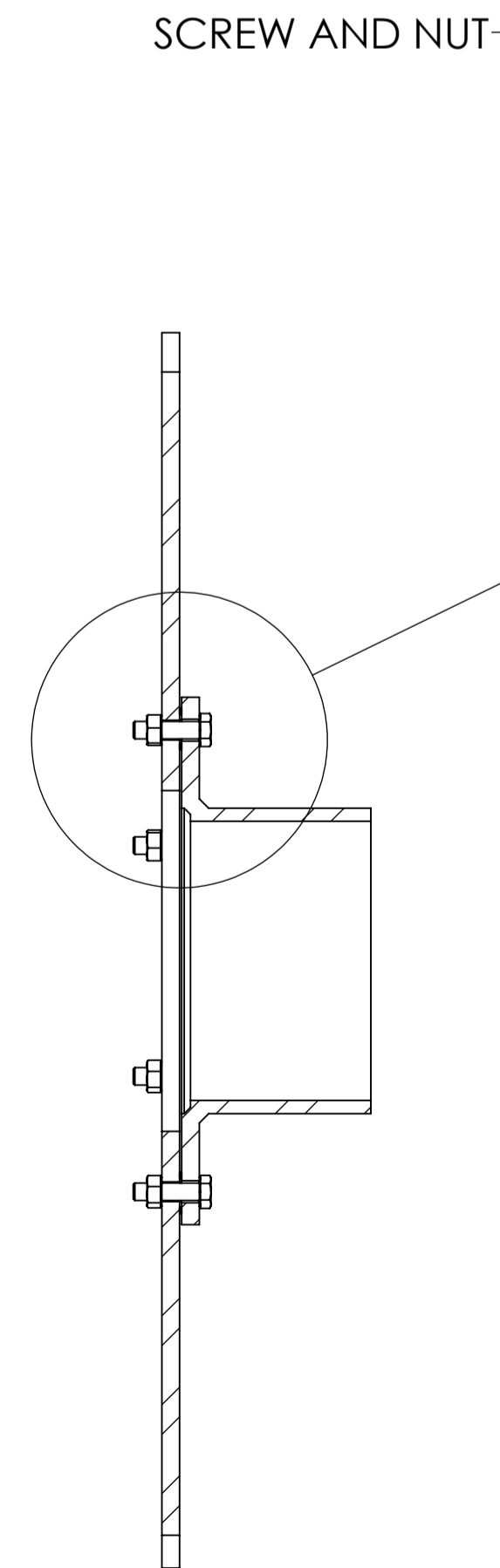
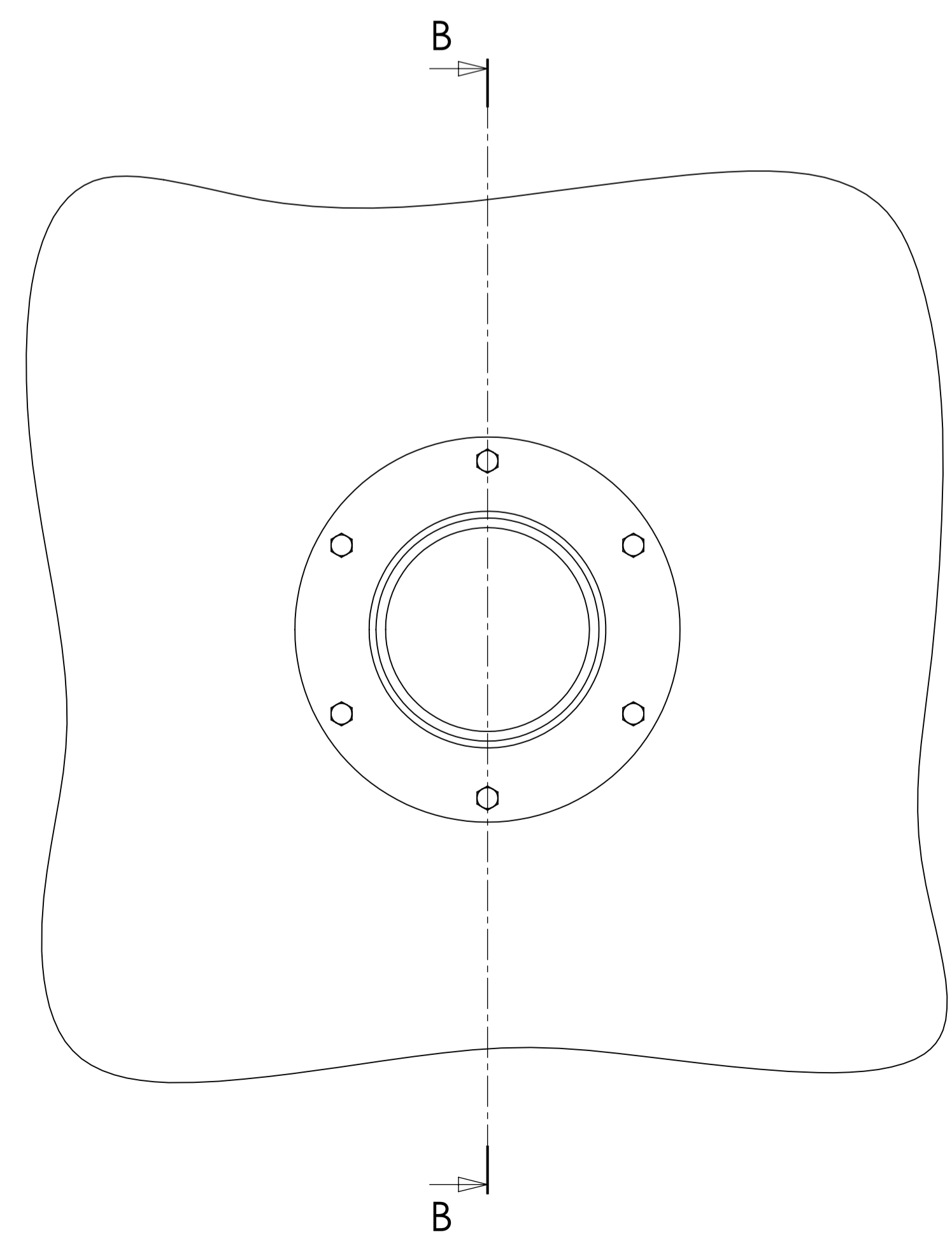
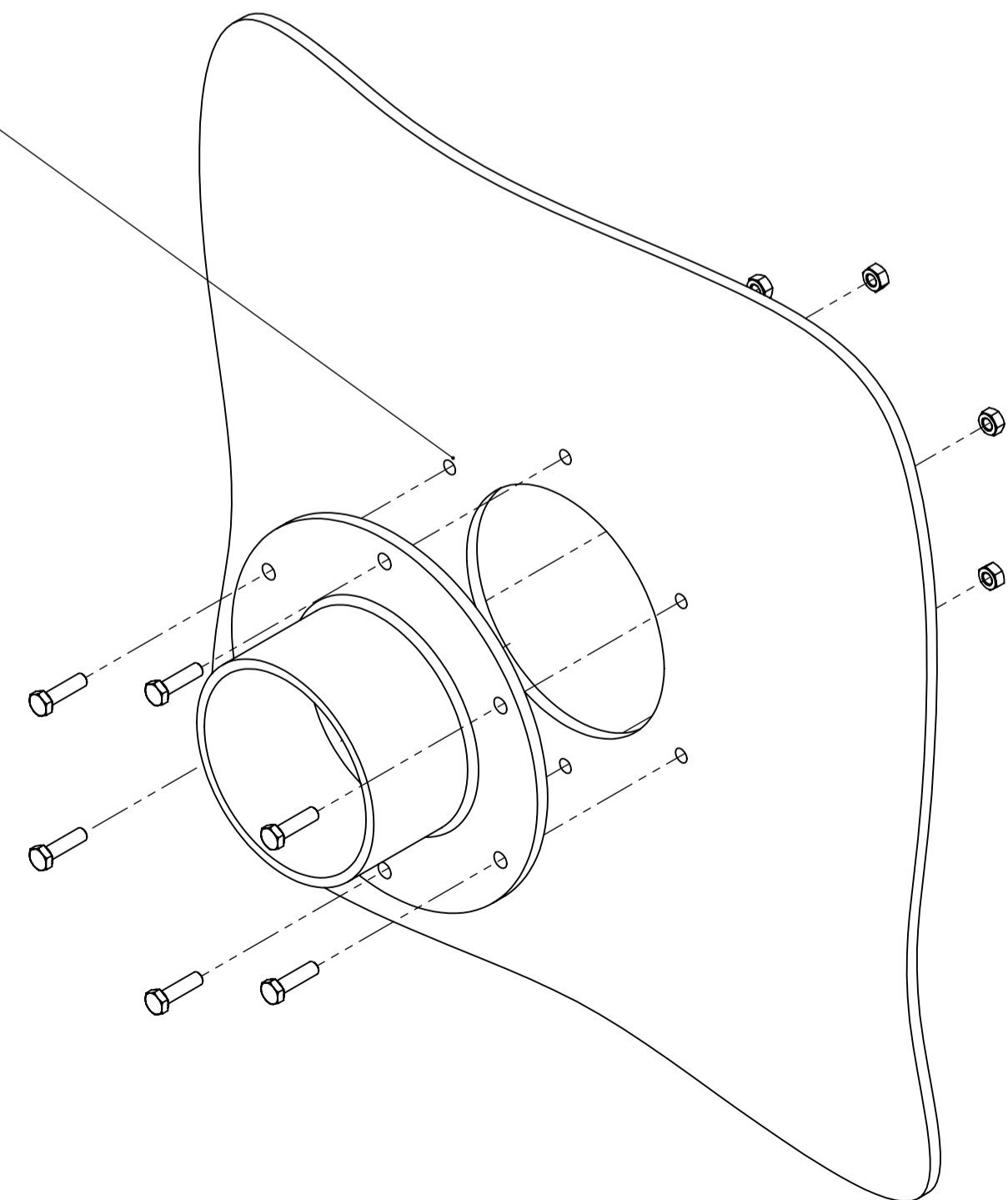


DETAIL C

TWO STRINGS OF SELANT

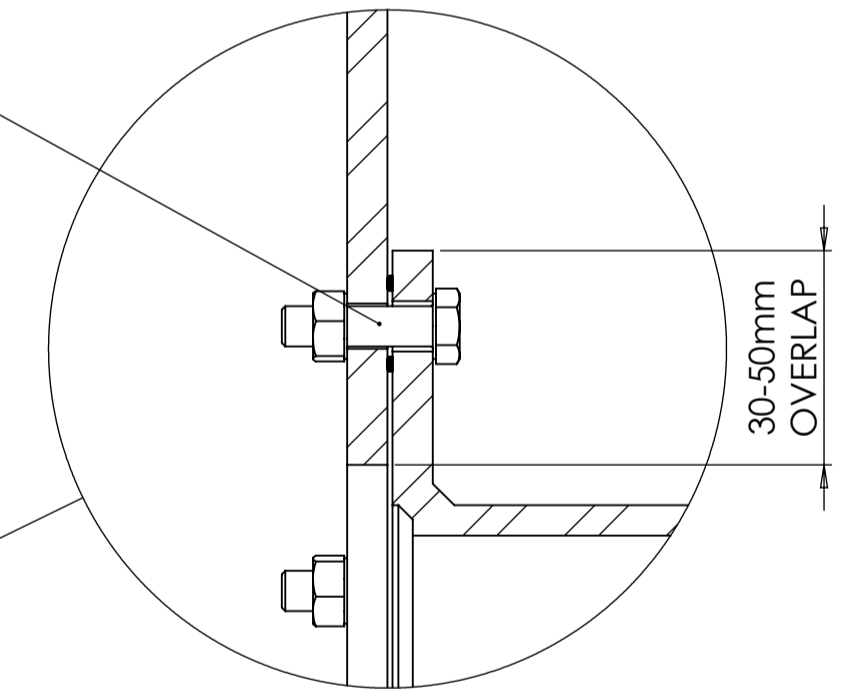


HOLE PATTERN DRILLED TO MATCH SLEEVE



SECTION B-B

SCREW AND NUT



DETAIL D

Rev.	Drawn	Check	Released	Approved	Tolerance	Unit	Weight
JA	JA	JF	BJ		Ytjämhet där ej annat anges Surface finish otherwise not stated	Material	
200826	200827	200827	200827				



INSTALLATION INSTRUCTION
SFRB SLEEVES

Rev.	Draw no.	Weight
1200334	A	