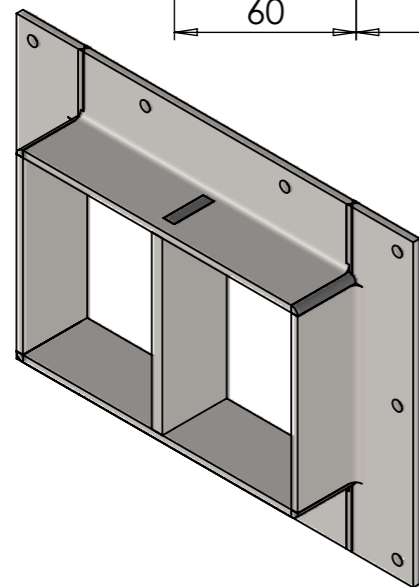
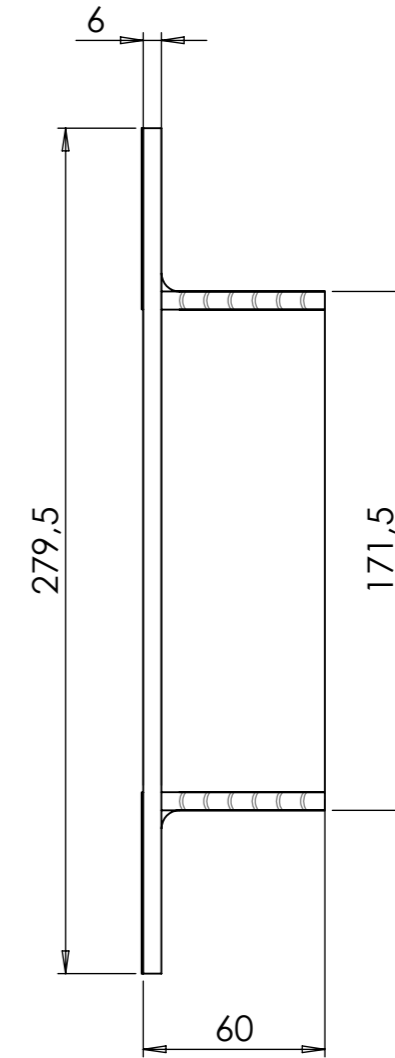
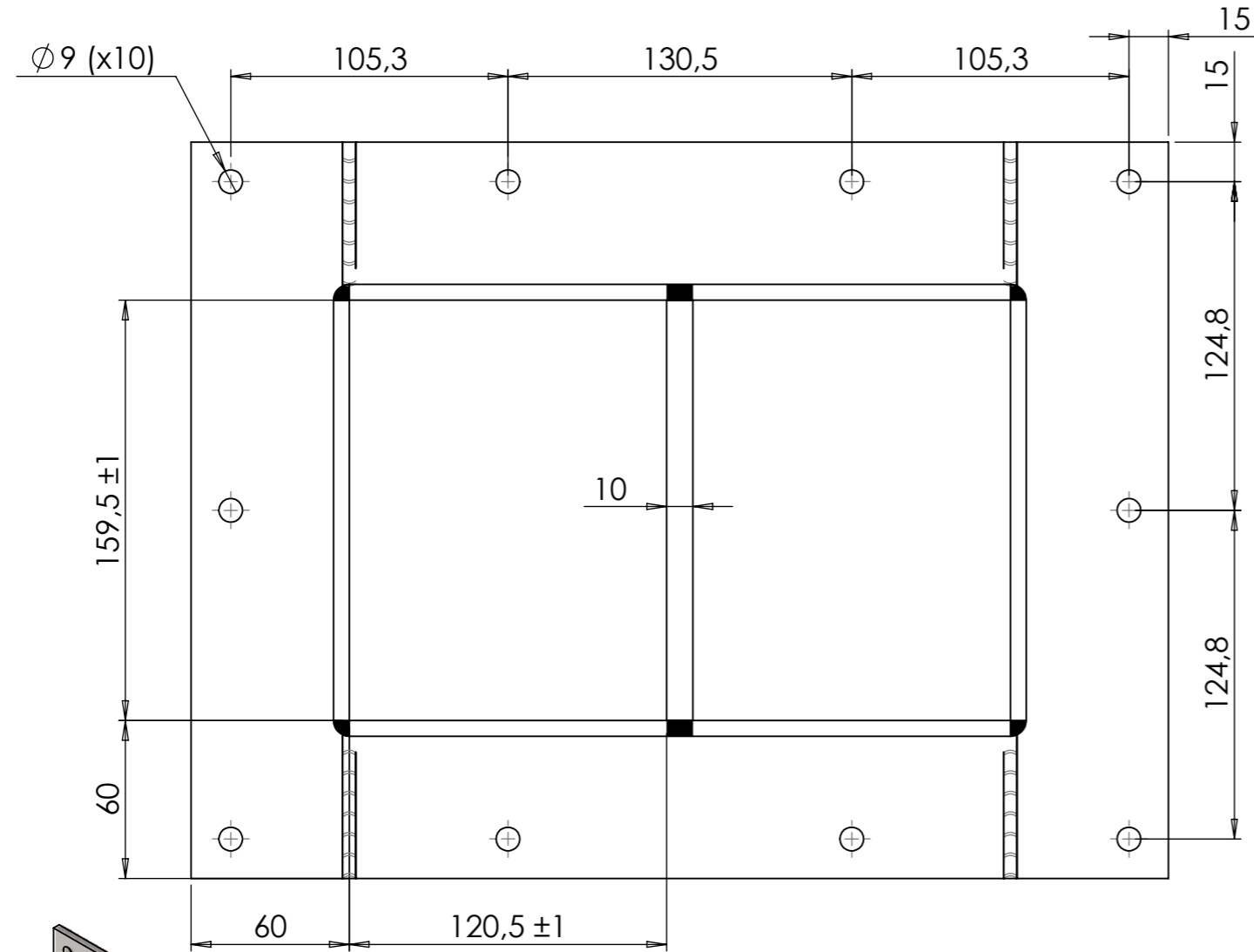
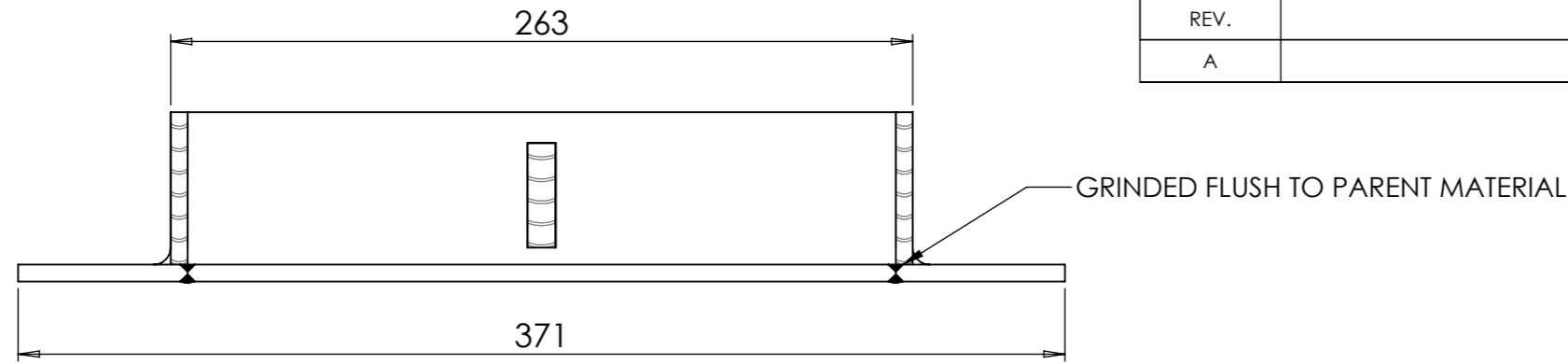


THIS DOCUMENT MUST NOT BE COPIED WITHOUT
 OUR WRITTEN PERMISSION, AND THE CONTENTS
 THEREOF MUST NOT BE IMPARTED TO A THIRD
 PARTY NOR BE USED FOR ANY UNAUTHORIZED
 PURPOSE. CONTRAVENTION WILL BE PROSECUTED.

| REVISIONS | | | |
|-----------|-------------|------------|-----------|
| REV. | DESCRIPTION | DATE | SIGNATURE |
| A | | 2019-12-04 | JA |



| | | | | | | | |
|----------------|-----------------|----------------------|---------------------|---|-----------------------------------|------------------------------------|----------------|
| Ritad Drawn | Kontr. Check | Granskad Reviewed | Godkänd Approved | Tolerans där ej annat anges Tolerance unless otherwise not stated. ISO 13920-CF | Smst. nr. Assembly drawing no. | Ersätter Replaces | E |
| JA | JA | LS | ML | Ytjämnhet där ej annat anges. Surface finish otherwise not stated. | Material | Ersatt av Replaced of | Vikt Weight |
| 191203 | 200123 | 200123 | 200123 | Alla mått och uppgifter avser färdig produkt om ej annat anges. All measures and other information refer to finished products unless otherwise not stated. | | Kund ordernr. Customer order no | |
| | | | | RGG-4x2 INFORMATION DRAWING | | Ritn. nr. Draw. no. | Rev. |
| | | | | | | 1190775 | A |