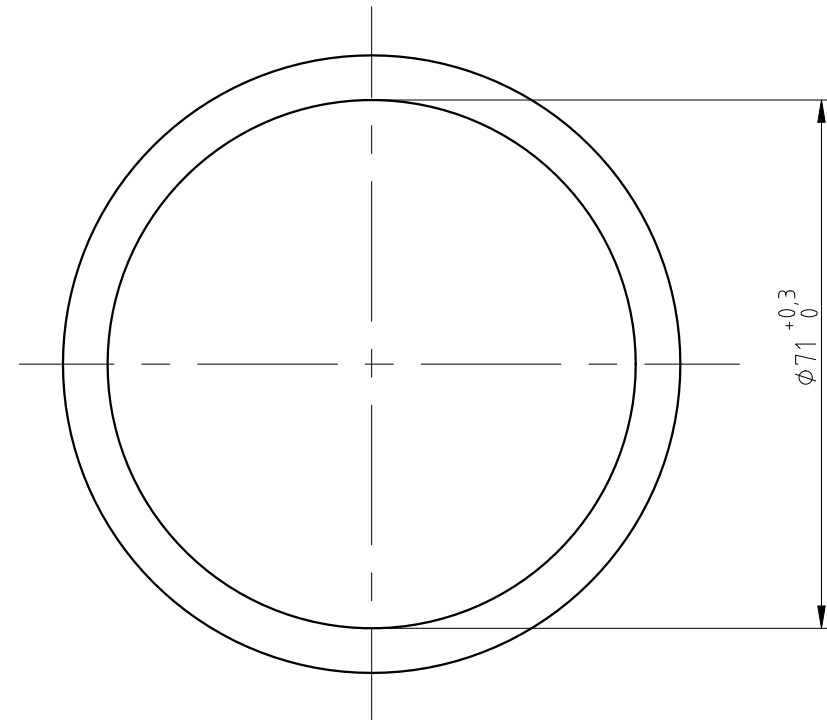
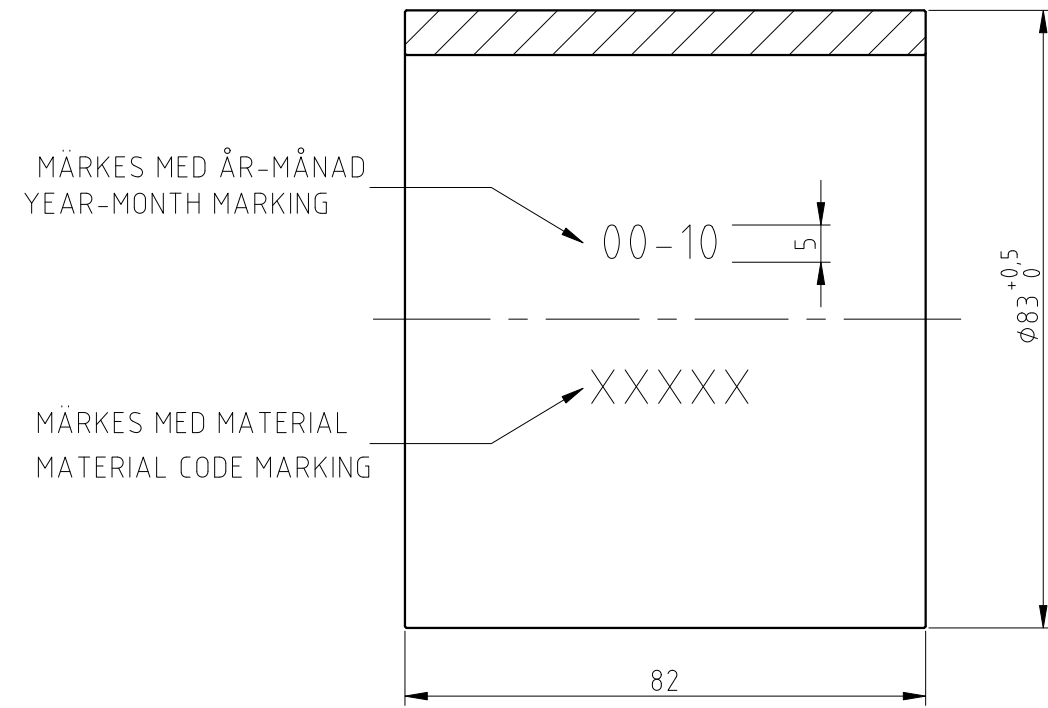


THIS DOCUMENT MUST NOT BE COPIED WITHOUT OUR WRITTEN PERMISSION, AND THE CONTENTS THEREOF MUST NOT BE IMPARTED TO A THIRD PARTY NOR BE USED FOR ANY UNAUTHORIZED PURPOSE. CONTRAVENTION WILL BE PROSECUTED.



Nr No	Orienterings- ruta Orientation square	Ändring eller meddelande Revision or message.	Ändr. v Rev./week	Sign.	Godkänd Approved
C		YEAR-MONTH MARKING ADDED	0042	BO	TF
D		MATERIAL CODE MARKING	0434	BO	TF
E-F		UP DATED TO CORRECT REV STATUS	0926	RH	
G		UPDATING MATERIAL	0937	BO	TF
H		UPDATING MATERIAL, ALUMINIUM SEE DRW 131083	0947	BO	TF
I		CHANGED MATERIAL, REMOVED RADIUS	1212	AK	TF
J		DIMENSION 70 CHANGED TO 82	2420	PB	ML



SKARPA KANTER BRUTNA  
SHARP EDGES BROKEN

WARNING: THIS IS A CERTIFICATE RELATED PRODUCT.  
ANY CHANGES ARE NOT PERMITTED WITHOUT REFERENCE  
TO THE AUTHORIZED PERSON.

Pos nr Pos no	Antal No.	Benämning Title				Best. nr./ Ritn. nr / Dimension / material Order no. / Draw. no. / Material		Note Note
Ritad Drawn	Kontr. Check	Granskad Reviewed	Godkänd Approved	Tolerans där ej annat anges Tolerance unless otherwise not stated.		Smst. nr. Assembly drawing no.	Ersätter Replaces	E
B0	PB	LS	ML	Ytjämnhet där ej annat anges Surface finish otherwise not stated.			Ersatt av Replaced of	Vikt Weight
931207	240513	240513	240513	Ra 3,2			Alla mått och uppgifter avser färdig produkt om ej annat anges All measures and other information refer to finished products unless otherwise not stated.	
				PIPE SLEEVE S-70		Kund ordernr. Customer order no.		
						Ritn. nr. Draw. no.	Rev.	
						103322	J	