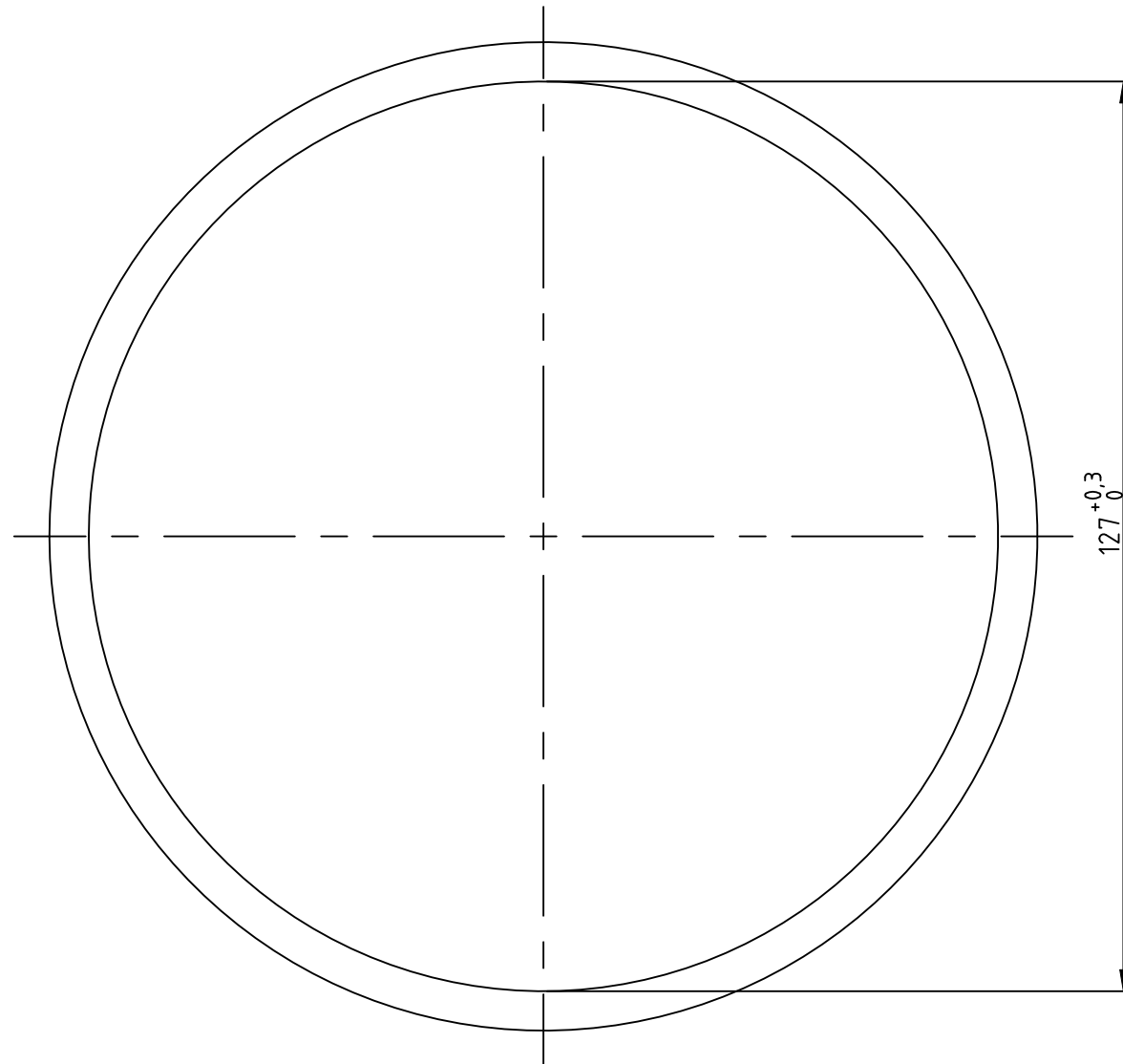
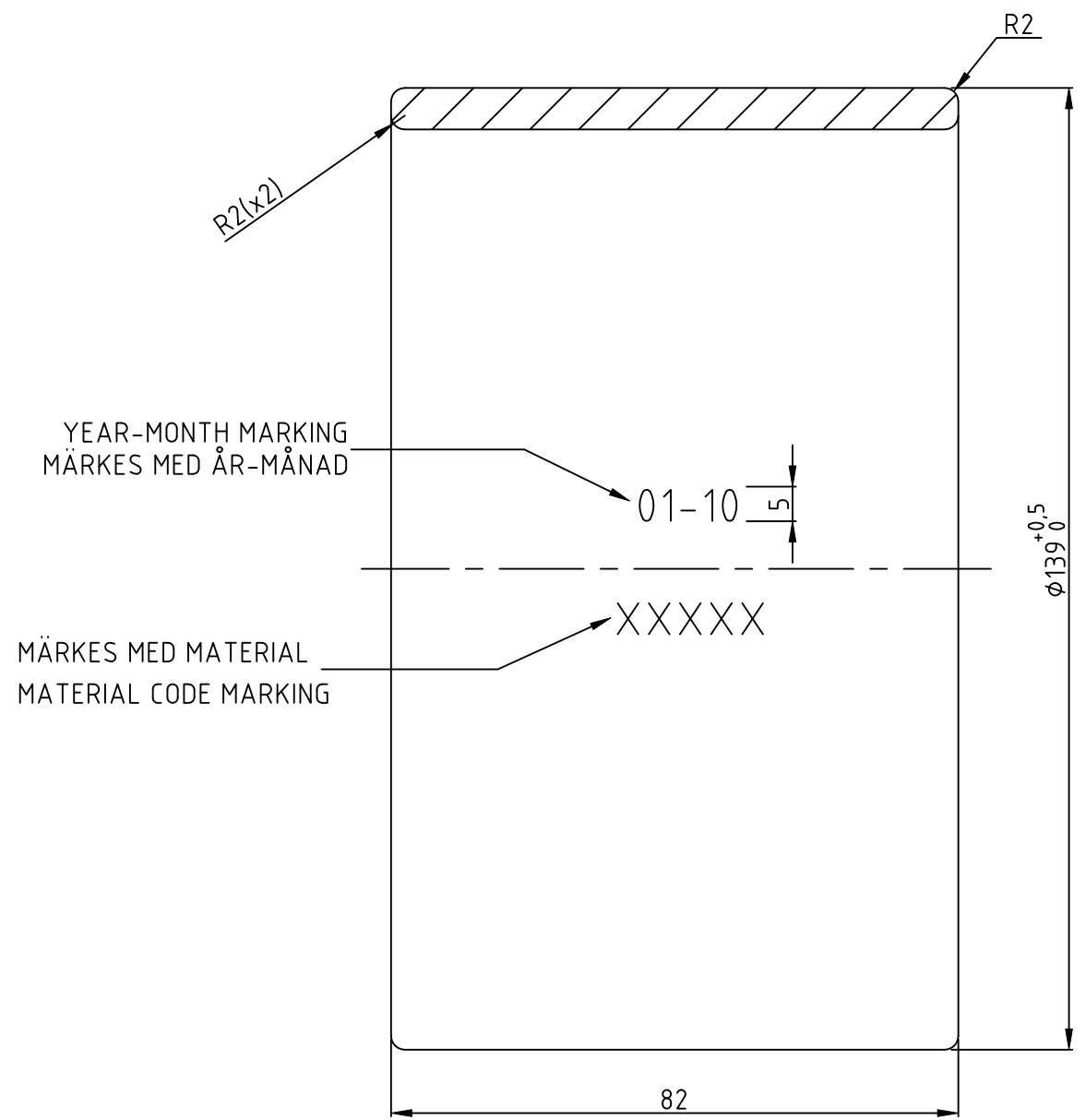


THIS DOCUMENT MUST NOT BE COPIED WITHOUT OUR WRITTEN PERMISSION, AND THE CONTENTS THEREOF MUST NOT BE IMPARTED TO A THIRD PARTY NOR BE USED FOR ANY UNAUTHORIZED PURPOSE. CONTRAVENTION WILL BE PROSECUTED.



Nr No	Orienterings- ruta Orientation square	Ändring eller meddelande Revision or message.	Ändr. v Rev./week	Sign.	Godkänd Approved
A		FÖR PRODUKTION	9838	RH	
B		MATERIAL & YEAR-MONTH CODE MARKING	0434	BO	TF
C-D		INCREASED LENGTH FROM 70 TO 82, ADDED ATEX TEXT	1213	AK	TF



WARNING: THIS IS A CERTIFICATE RELATED PRODUCT.
ANY CHANGES ARE NOT PERMITTED WITHOUT REFERENCE
TO THE AUTHORIZED PERSON.

Pos nr Pos no	Antal No.	Benämning Title		Best. nr./ Ritn. nr / Dimension / material Order no. / Draw. no. / Material		Note Note
Ritad Drawn	Kontr. Check.	Godkänd Approv.	Kopierad Copied	Tolerans där ej annat anges Tolerance unless otherwise not stated.	Smst. nr. Assembly drawing no.	Ersätter Replaces
				ISO 2768 M		E
				Ytjämnhet där ej annat anges Surface finish otherwise not stated.		Skala Scale
						Vikt Weight
980915	120326	120328				Alla mått och uppgifter avser färdig produkt om ej annat anges All measures and other information refer to finished products unless otherwise not stated.
MCT Brattberg AB S-37192 KARLSKRONA SWEDEN TEL: +46 455 45160				PIPE SLEEVE S-125		Kund ordernr. Customer order no
						Ritn. nr. Draw. no.
						130859
						Rev. D