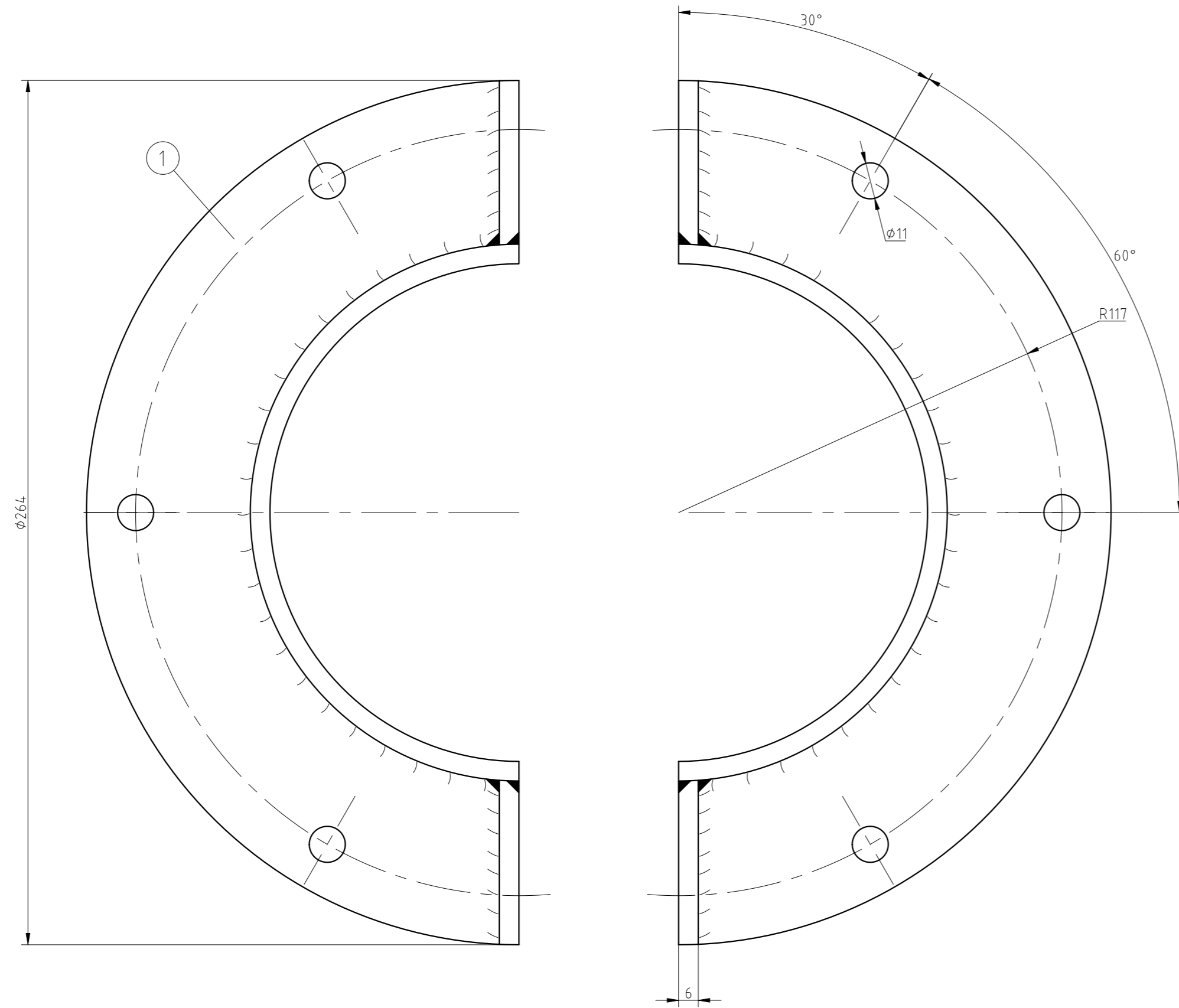
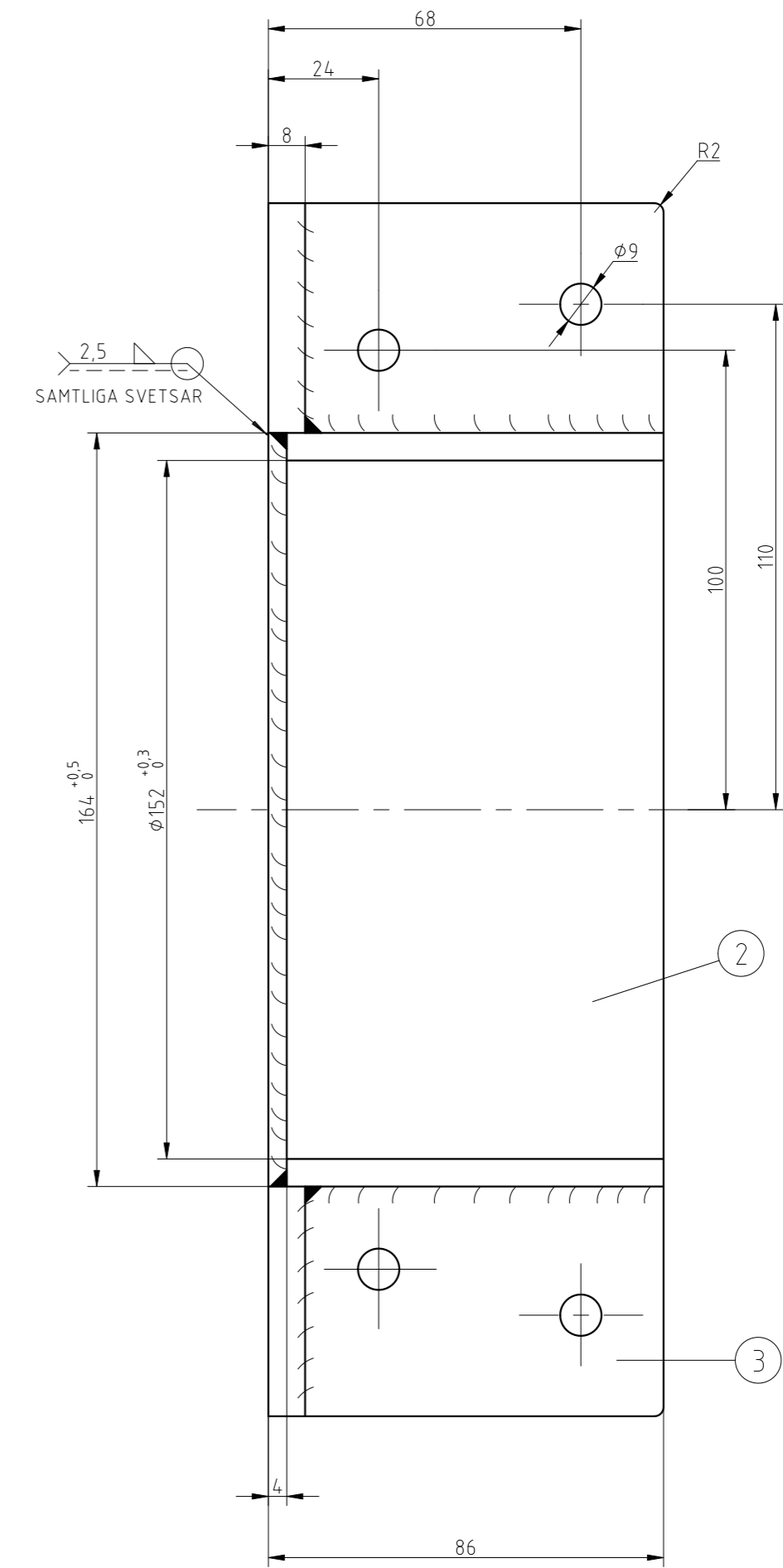


THIS DOCUMENT MUST NOT BE COPIED WITH-  
 OUT OUR WRITTEN PERMISSION, AND THE CON-  
 TENTS THEREOF MUST NOT BE IMPARTED TO A  
 THIRD PARTY NOR BE USED FOR ANY UNAUTHOR-  
 ISED PURPOSE. CONTRAVENTION WILL BE PROS-  
 ECUTED.



No	Ändring eller meddelande	Ändr. v	Sign.	Godkänd
No	Revision or message.	Rev./week		Approved
01	REDRAWN IN AUTOCAD	9904	BO	TF
A-C	DRAWING FORM CHANGED. MATERIAL UPDATED	0939	BO	TF
D	CHANGED HOLE PATTERN FROM R107 TO R117	1326	AK	TF
E	CHANGED HOLE PATTERN FROM 8 HOLES TO 6	1837	AK	BJ



Pos nr	Antal	Benämning	Best. nr./ Ritn. nr / Dimension / material	Note
Pos no	No.	Title	Order no. / Draw no. / Material	Note
3	4	PLATE	S355, 316L, EN AW-6082	DRAW No: 140871
2	1	SLEEVE	S355, 316L, EN AW-6082	DRAW No: 130902
1	2	FLANGE	S355, 316L, EN AW-6082	DRAW No: 1180253
Ritad	Kont.	Godkänd	Godkänd	E
Drawn	Check	Reviewed	Approved	
BO		AK	LS	BJ
931209		180911	180911	180911
<b>MCT</b> <b>BRATTBERG</b>			SFRB0-150	Ersätter Replaces E
Tolerans där ej annat anges Tolerance unless otherwise not stated. ISO 13920 BF			Smt. nr. Assembly drawing no.	Vikt Weight
Ytjämnhet där ej annat anges Surface finish otherwise not stated.			Alla mått och uppgifter avser färdig produkt om ej annat anges All measures and other information refer to finished product's unless otherwise not stated.	Kund ordernr. Customer order no.
			Ritn. nr. Draw no.	Rev. E
			102096	

THIS IS A CERTIFICATE RELATED PRODUCT NO CHANGES WITHOUT REFERENCE TO THE AUTHORISED PERSON.