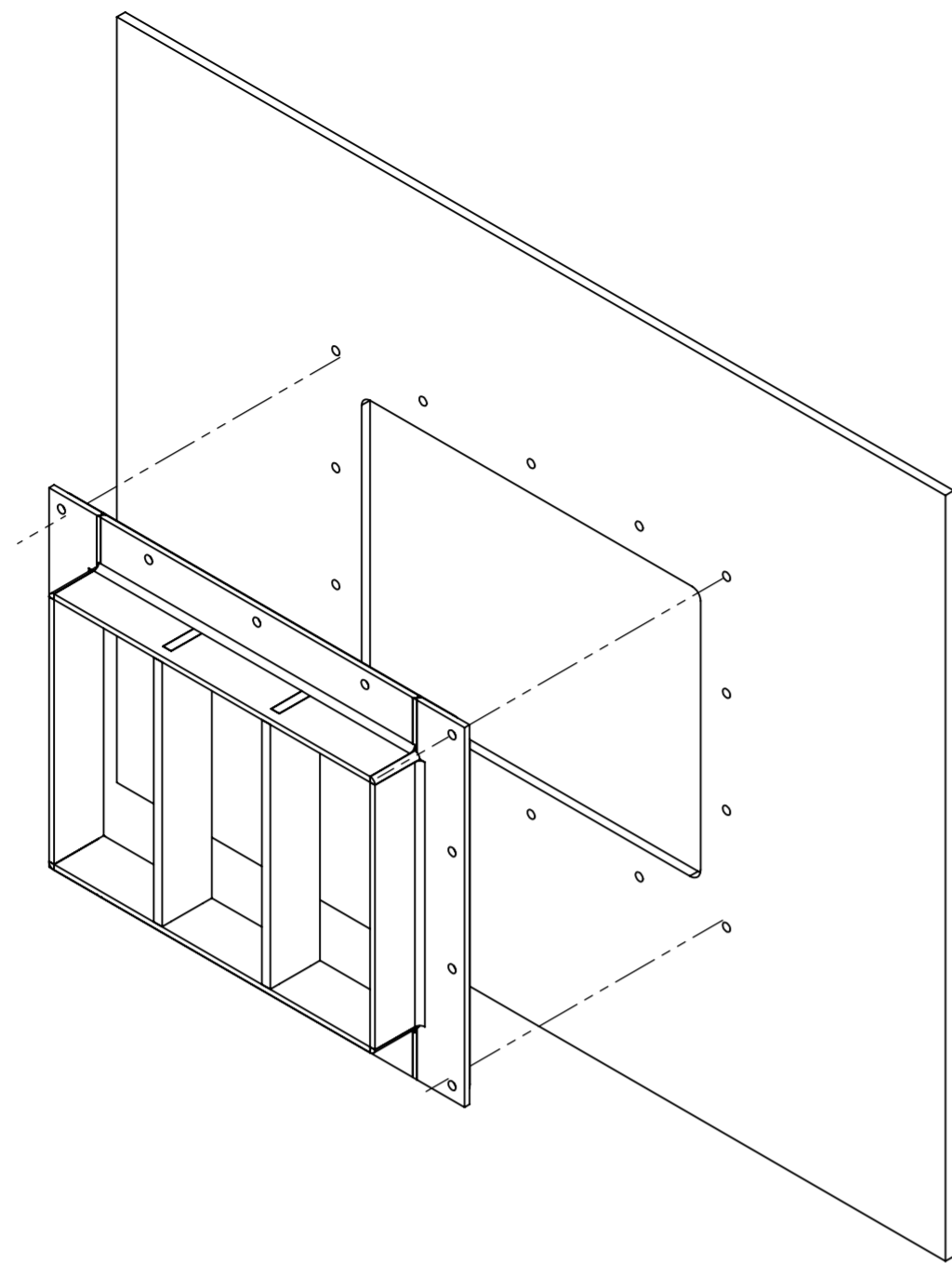
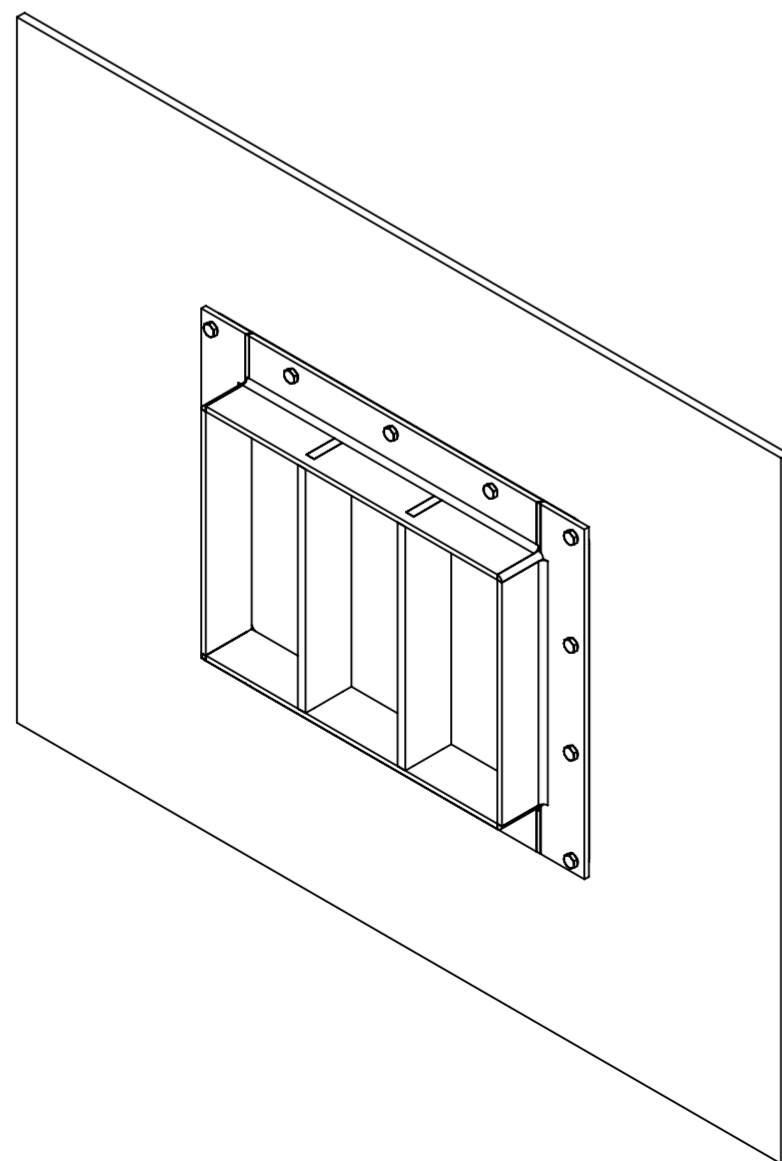


THIS DOCUMENT MUST NOT BE COPIED WITHOUT OUR WRITTEN PERMISSION, AND THE CONTENTS THEREOF MUST NOT BE IMPARTED TO A THIRD PARTY NOR BE USED FOR ANY UNAPPROVED PURPOSE. CONTRAVENTION WILL BE PROSECUTED.

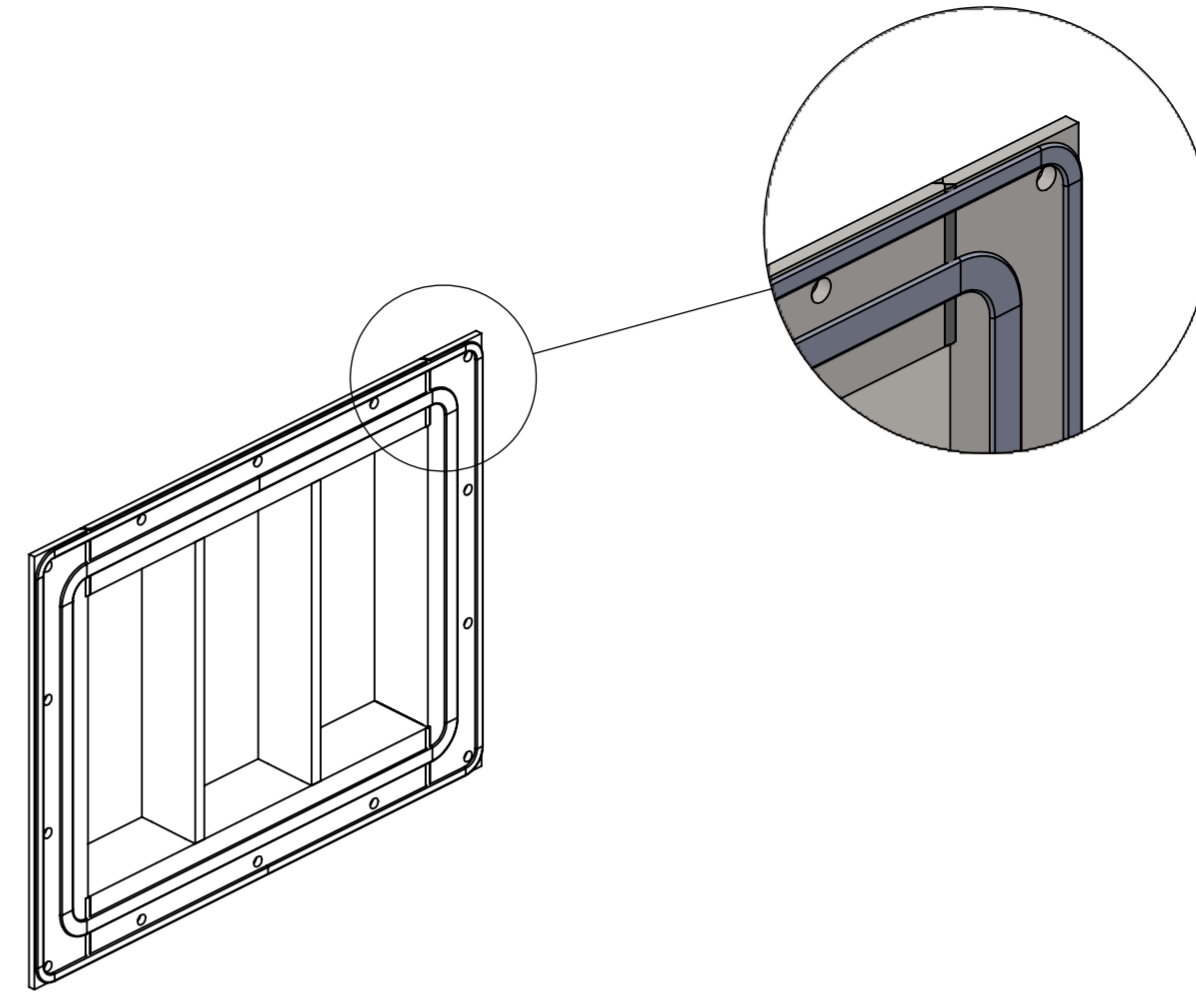


1. Position the frame to the steel plate, mark and drill hole pattern to match the frame.

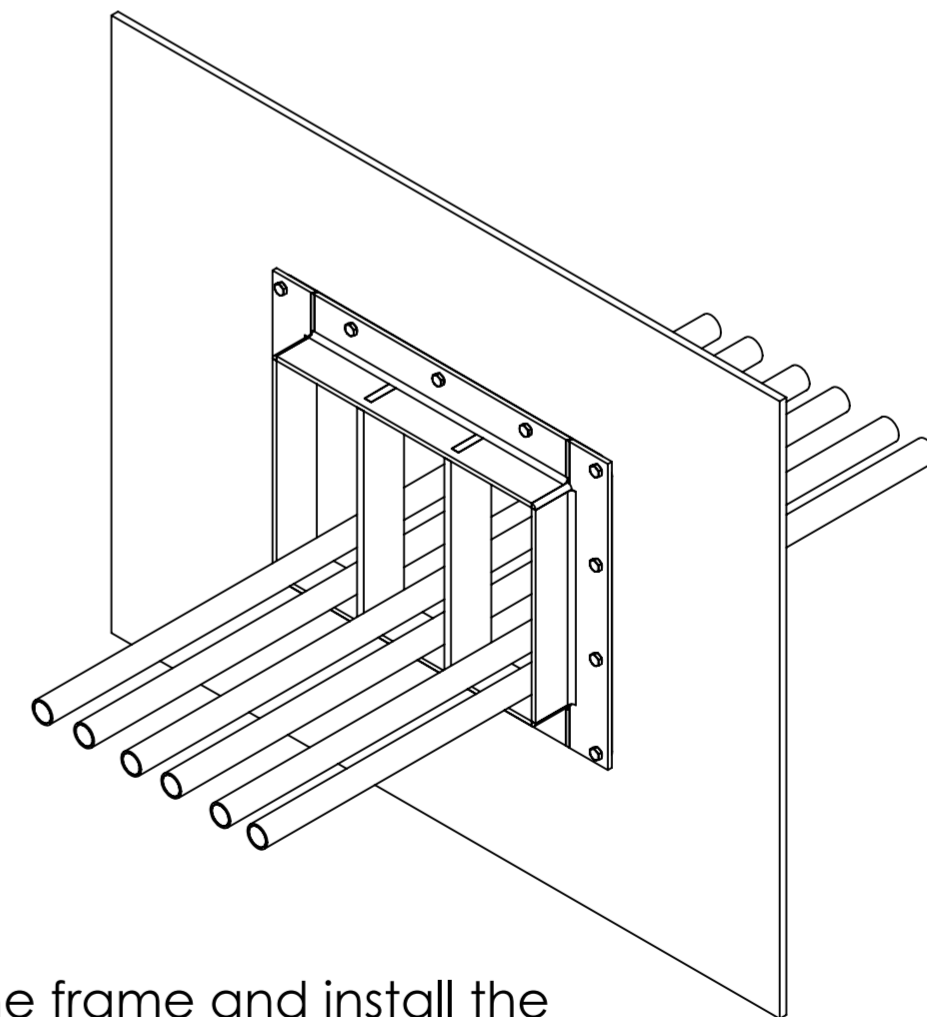


3. Install the frame to the steel plate with M8 bolts, tighten to 20 Nm.


REVISIONS			
REV.	DESCRIPTION	DATE	SIGNATURE
A		2024-02-02	AK



2. Apply two strings of sealant to the frame.



4. Pull cables/pipes thru the frame and install the MCT Brattberg sealing.

Ritad Drawn	Kontr. Check	Granskad Reviewed	Godkänd Approved	Tolerans där ej annat anges Tolerance unless otherwise not stated.	Smsl. nr. Assembly drawing no.	Ersätter Replaces	E
AK	AK	LS	BJ	Ytjämnhet där ej annat anges. Surface finish otherwise not stated.	Material	Ersatt av Replaced of	Vikt Weight
24.02.02	24.02.02	24.02.02	24.02.02			Alla mått och uppgifter avser färdig produkt om ej annat anges. All measures and other information refer to finished products unless otherwise not stated.	
						Kund ordernr. Customer order no.	Rev.
						Ritn. nr. Draw. no.	1240045

RGG STEEL PLATE
INSTALLATION DRAWING