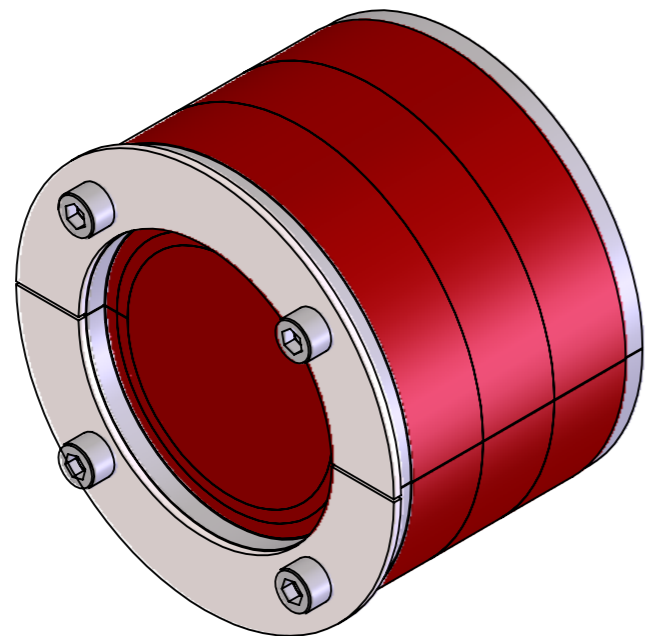
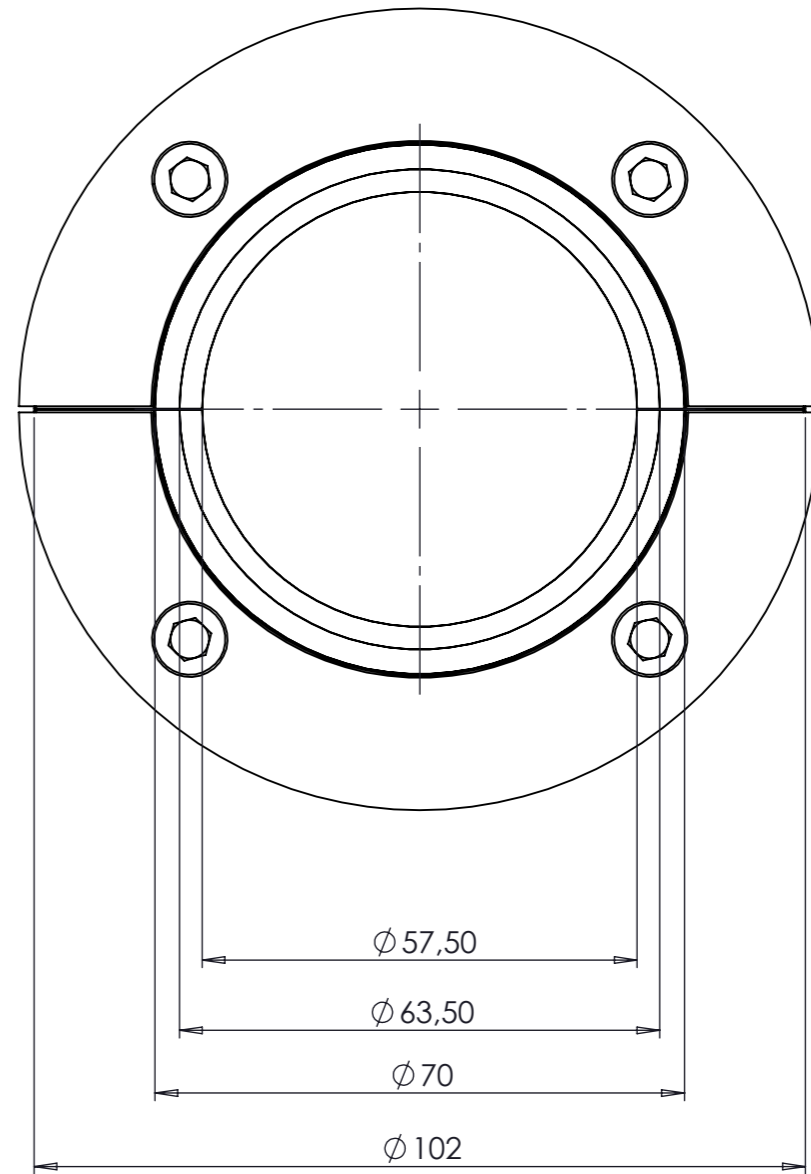
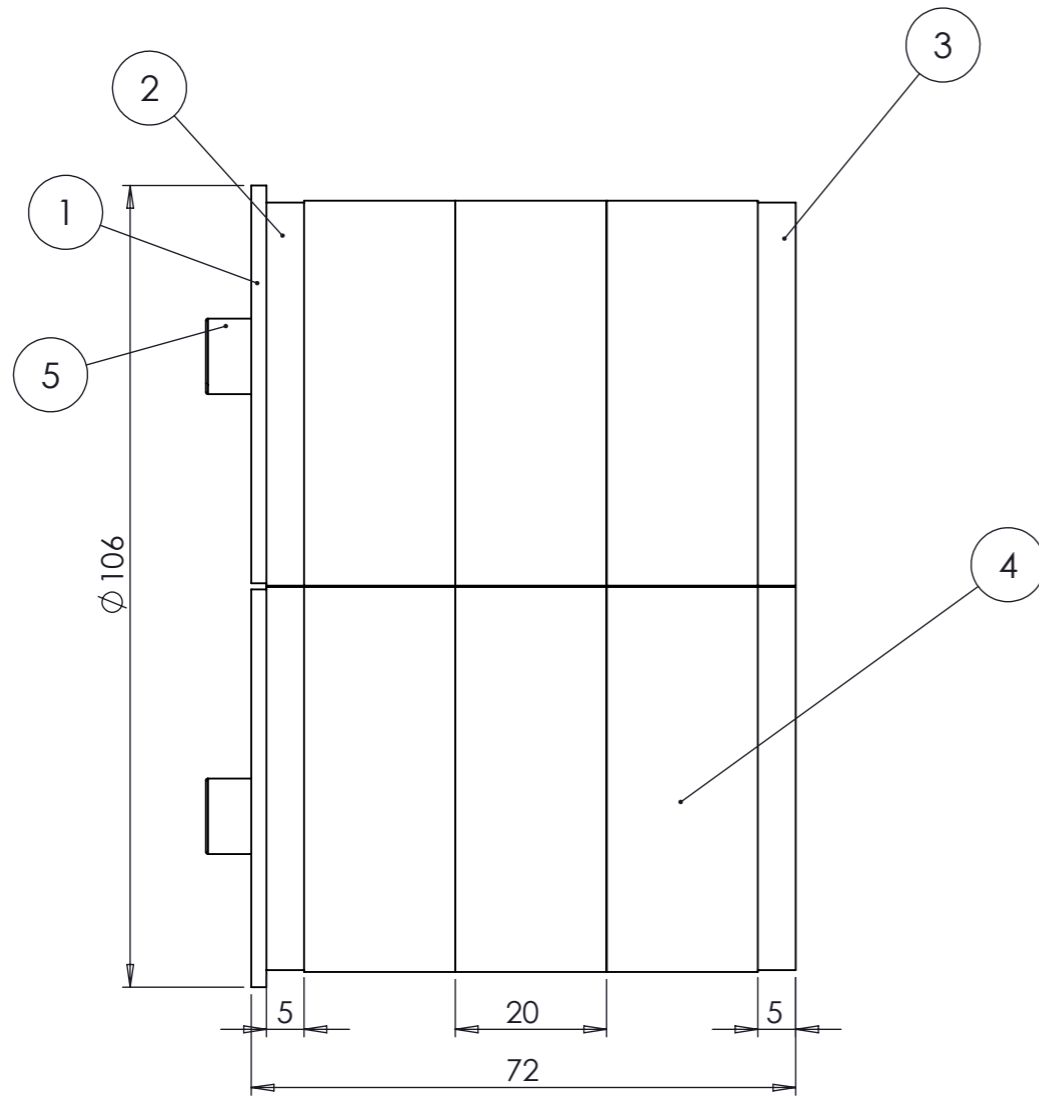


THIS DOCUMENT MUST NOT BE COPIED WITH-  
 OUT OUR WRITTEN PERMISSION, AND THE CON-  
 TENTS THEREOF MUST NOT BE IMPARTED TO A  
 THIRD PARTY NOR BE USED FOR ANY UNAUTHOR-  
 ISED PURPOSE. CONTRAVENTION WILL BE PROS-  
 ECUTED.



REVISIONS			
REV.	DESCRIPTION	DATE	SIGNATURE
A	FOR MANUFACTURING	2012-09-05	AK
B	ADDED CAPTURE PLATE	2017-09-06	JA

ITEM NO.	DESCRIPTION	DRAWING NUMBER	QTY.
1	CAPTURE PLATE	316L 2mm	1
2	FRONT PLATE	1100863	2
3	REAR PLATE	1100863	2
4	RUBBER SEAL	1100864	3
5	ISO 4762 M6 x 70 --- 24N		4

Ritad Drawn	Kontr. Check	Granskad Reviewed	Godkänd Approved	Tolerans där ej annat anges Tolerance unless otherwise not stated.	Smst. nr. Assembly drawing no.	Ersätter Replaces	E
AK	AK	LS	ML	Ytjämnhet där ej annat anges Surface finish otherwise not stated.		Ersatt av Replaced of	Vikt Weight 1,2 Kg
120905	180831	180831	180831			Alla mått och uppgifter avser färdig produkt om ej annat anges All measures and other information refer to finished products unless otherwise not stated.	
				SR-102		Kund ordernr. Customer order no	
						Ritn. nr. Draw. no.	Rev.
						1120443	B