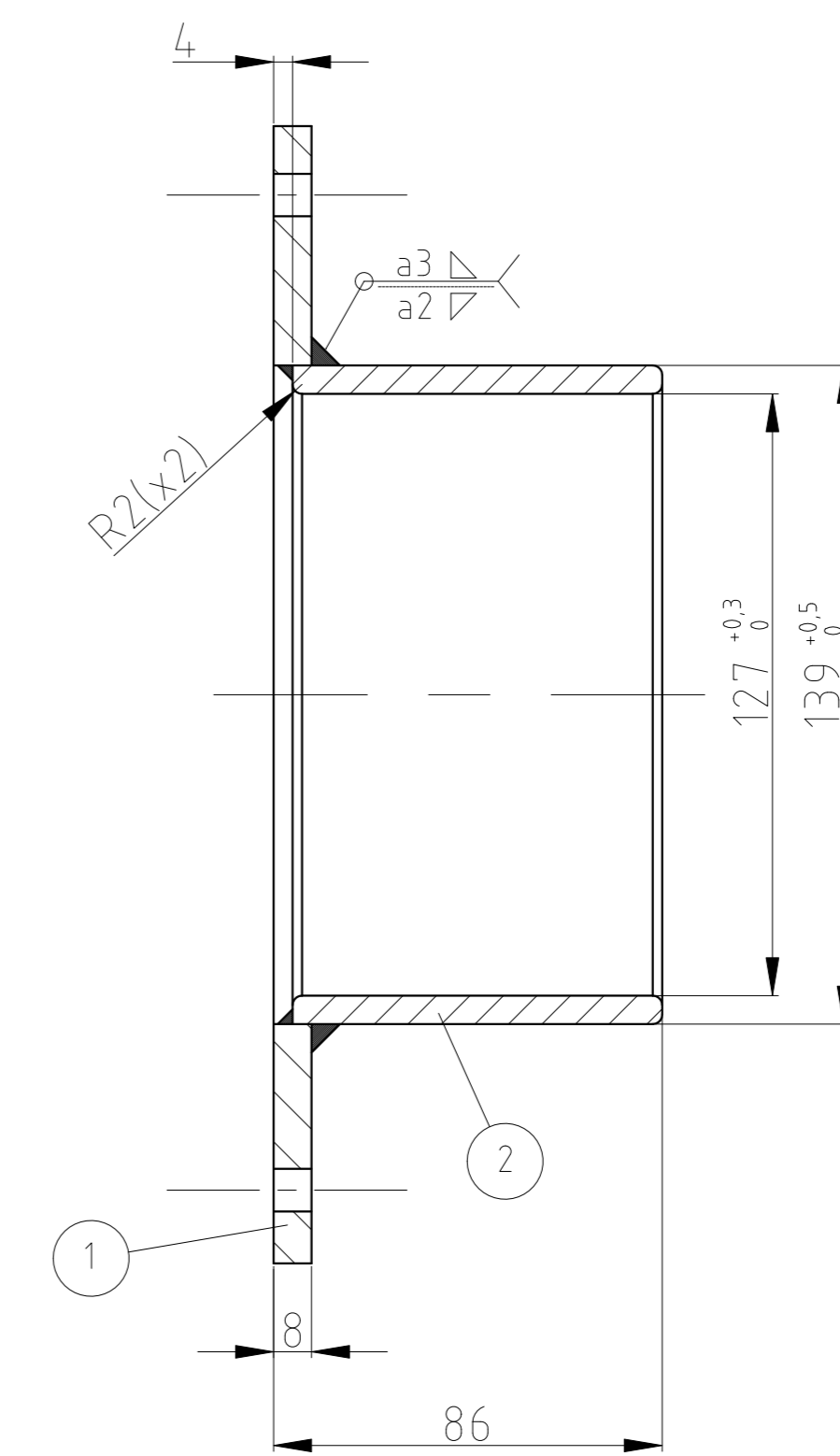
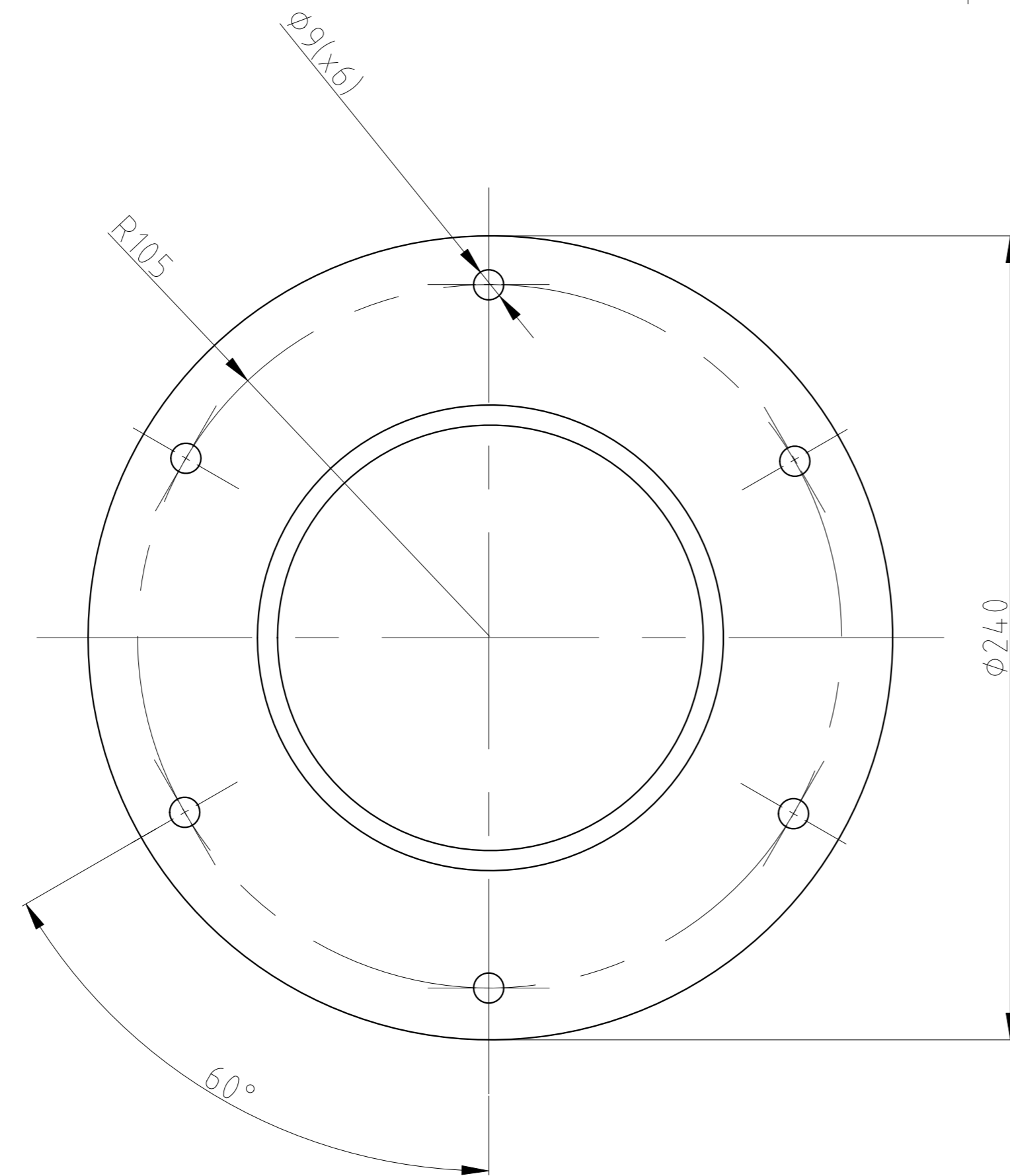


THIS DOCUMENT MUST NOT BE COPIED WITHOUT OUR WRITTEN PERMISSION, AND THE CONTENTS THEREOF MUST NOT BE IMPARTED TO A THIRD PARTY NOR BE USED FOR ANY UNAUTHORIZED PURPOSE. CONTRAVENTION WILL BE PROSECUTED.

Nr No	Orientingsruta Orientation square	Ändring eller meddelande Revision or message.	Ändr. v Rev./week	Sign.	Godkänd Approved
A-B		CHANGED HOLE PATTERN AND TOTAL LENGTH	1243	AK	TF



2	1	S-125	DRAW NO:130859		
1	1	FLANGE	DRAW NO:1060474		
Pos nr Pos no	Antal No.	Benämning Title		Best. nr./ Ritn. nr / Dimension / material Order no. / Draw. no. / Material	Note Note
Ritad Drawn	Kontr. Check	Granskad Reviewed	Godkänd Approved	Tolerans där ej annat anges Tolerance unless otherwise not stated. ISO 13920 CF	Smst. nr. Assembly drawing no.
RH	AK	JF	TF	Ersätter Replaces	E
061026	121026	121030	121030	Ersatt av Replaced of	Vikt Weight
Ytjämnhet där ej annat anges Surface finish otherwise not stated.				Alla mått och uppgifter avser färdig produkt om ej annat anges All measures and other information refer to finished products unless otherwise not stated.	
				Kund ordernr. Customer order no	
				SFRB-125	
Ritn. nr. Draw. no.				Rev.	
1060473				B	