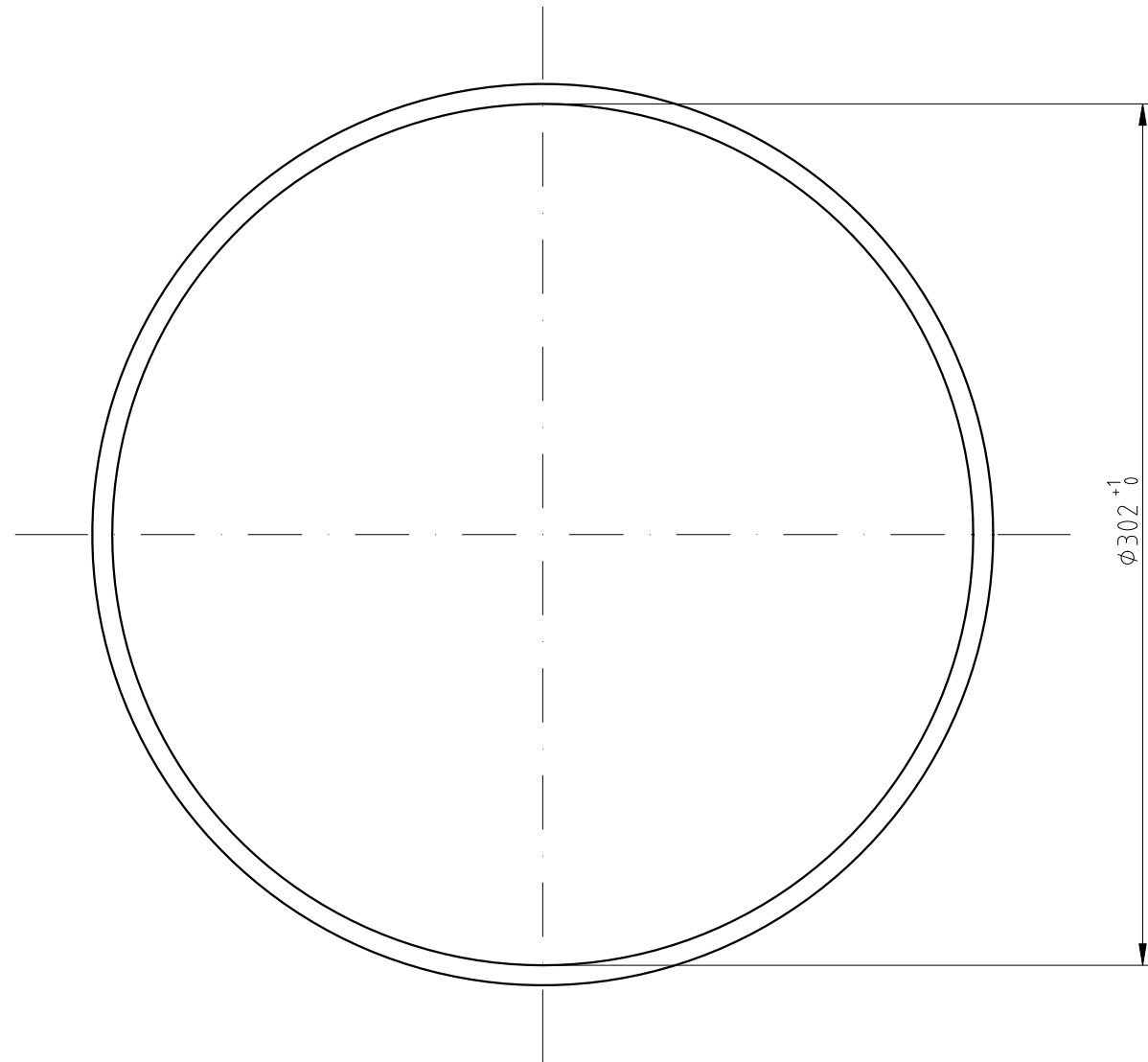
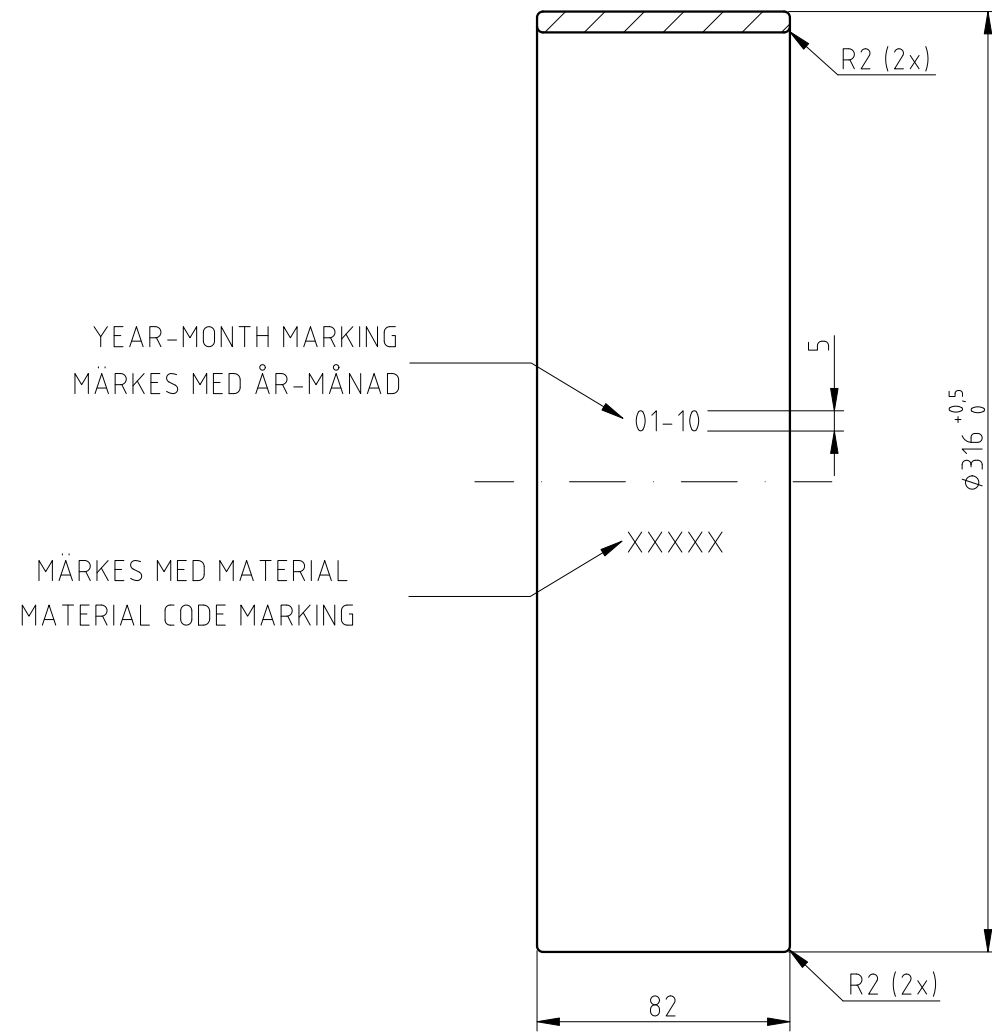


THIS DOCUMENT MUST NOT BE COPIED WITHOUT OUR WRITTEN PERMISSION, AND THE CONTENTS THEREOF MUST NOT BE IMPARTED TO A THIRD PARTY NOR BE USED FOR ANY UNAUTHORIZED PURPOSE. CONTRAVENTION WILL BE PROSECUTED.



Nr No	Orienterings- ruta Orientation square	Ändring eller meddelande Revision or message.	Ändr. v Rev./week	Sign.	Godkänd Approved
A		FÖR PRODUKTION	9532	BO	
B		RÖR DIM. INFÖRD	9620	RH	AM5/96
C		FAS BORTTAGEN	9736	BO	
D		YEAR-MONTH MARKING ADDED	0143	RH	TF
E		MATERIAL CODE MARKING	0434	BO	TF
F-G		BYTE AV RITRAM, MATERIAL UPPDATERAT	0935	BO	TF
H		ÄNDRAT BENÄMNING	1213	AK	TF
I		DIMENSION 85 CHANGED TO 82	2420	PB	ML



Pos nr Pos no	Antal No.	Benämning Title				Best. nr. / Ritn. nr / Dimension / material Order no. / Draw. no. / Material		Note Note
Ritad Drawn	Kontr. Check.	Granskad Reviewed	Godkänd Approved	Tolerans där ej annat anges Tolerance unless otherwise not stated.		Smst. nr. Assembly drawing no.	Ersätter Replaces	E
				ISO 2768m		110088	Ersatt av Replaced of	Vikt Weight
BO	PB	LS	ML	Ytjämnhet där ej annat anges Surface finish otherwise not stated.			Alla mått och uppgifter avser färdig produkt om ej annat anges All measures and other information refer to finished products unless otherwise not stated.	
941115	240513	240513	240513				Kund ordernr. Customer order no.	
				PIPE SLEEVE S-300			Ritn. nr. Draw. no.	Rev.
							130446	1