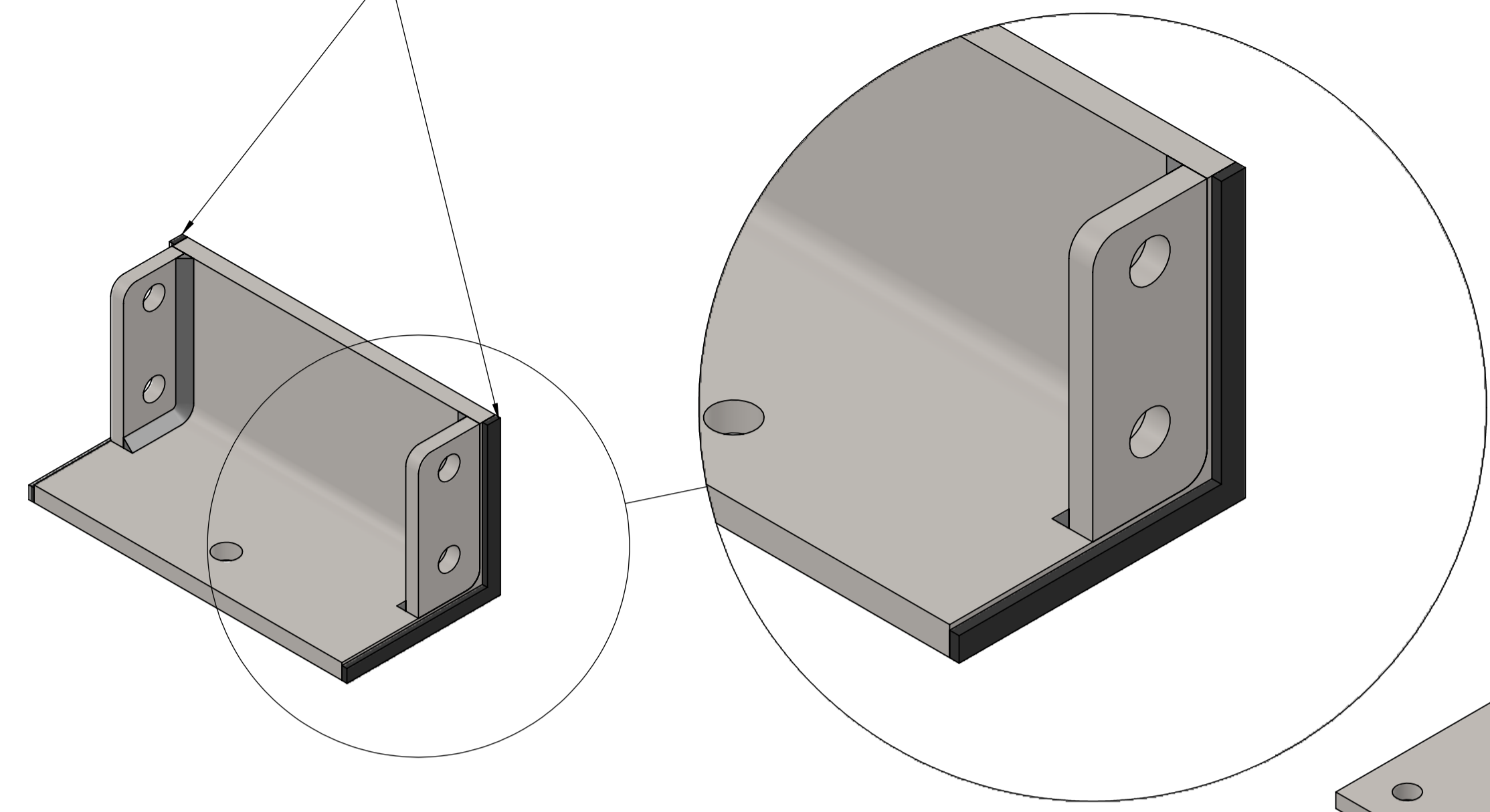


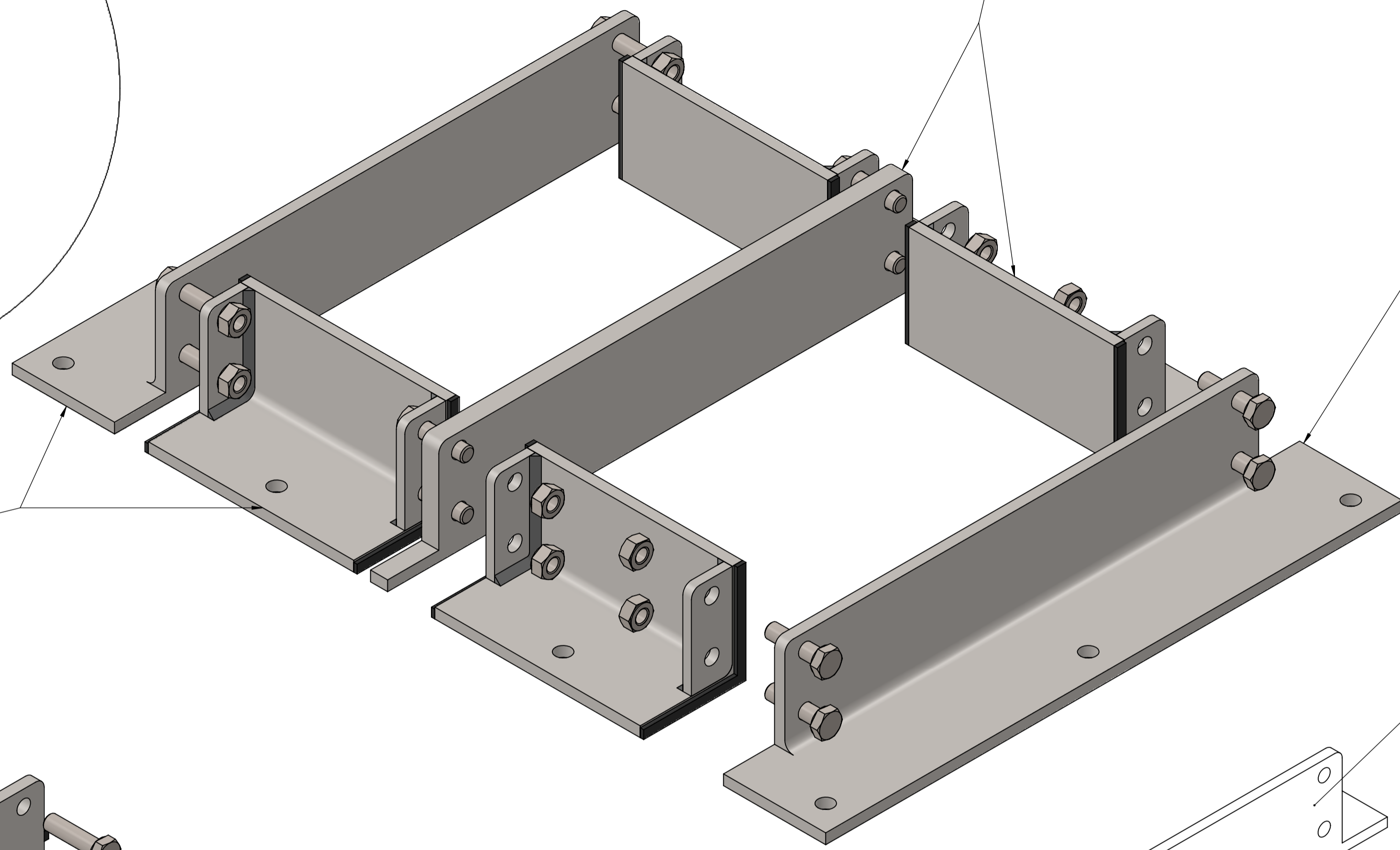
THIS DOCUMENT MUST NOT BE COPIED WITHOUT OUR WRITTEN PERMISSION AND THE CONTENTS PARTY MAY BE USED FOR ANY UNAUTHORIZED PURPOSE. CONTRAVENTION WILL BE PROSECUTED.

| REVISIONS |             |            |           |
|-----------|-------------|------------|-----------|
| REV.      | DESCRIPTION | DATE       | SIGNATURE |
| A         |             | 2021-02-26 | JA        |

1: CUT THE GASKET WITH A SHARP KNIFE AND ATTACH THE GASKET ON BOTH SIDES OF ALL THE RGG-END THAT IS GOING TO BE USED IN THE WANTED CONFIGURATION THE SAME WAY AS IN PICTURE BELOW.

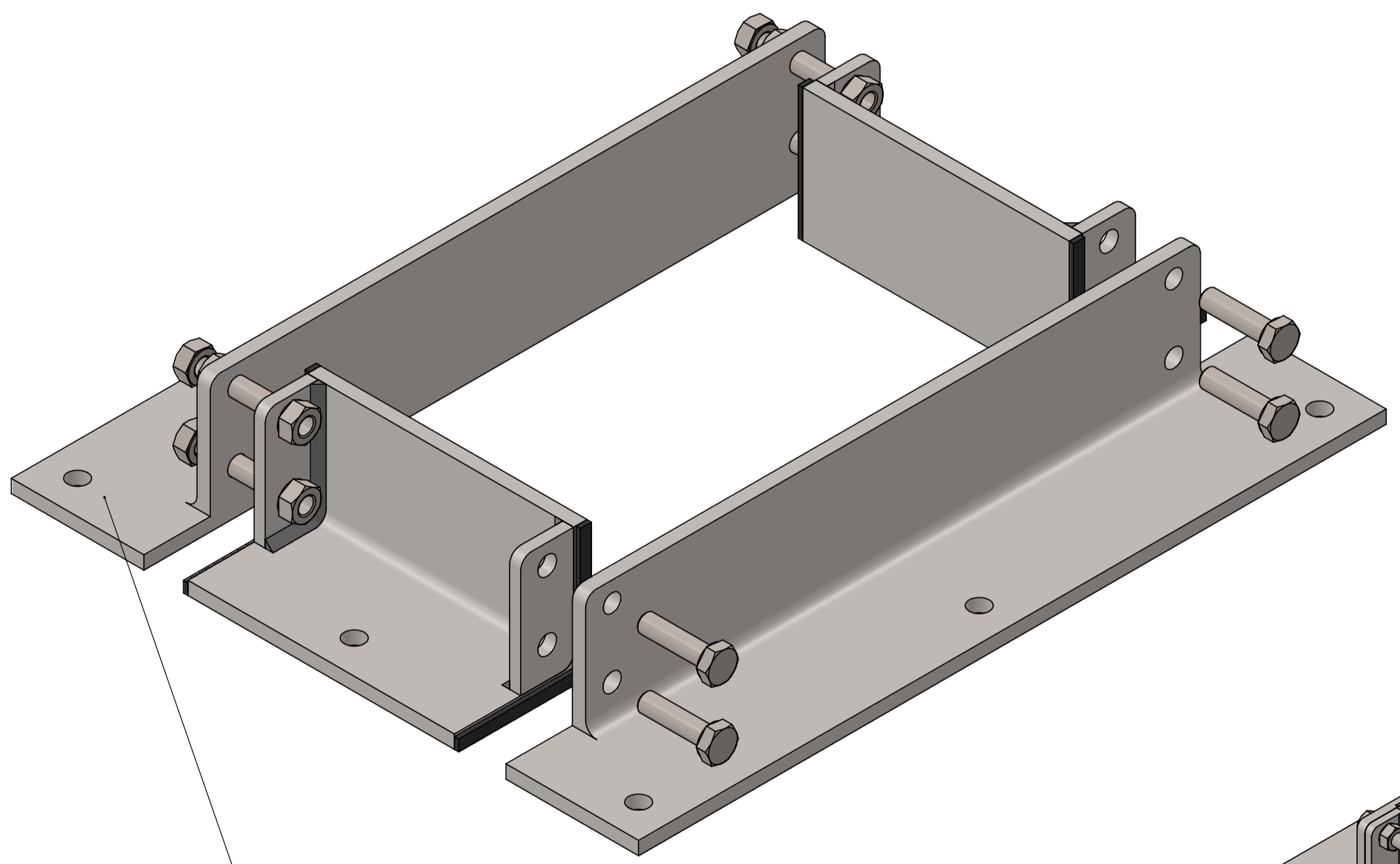


3: SCREW ON RGG-PARTITION AND TWO RGG-END UNTIL WANTED NUMBER OF FRAMES IS ACHIEVED.



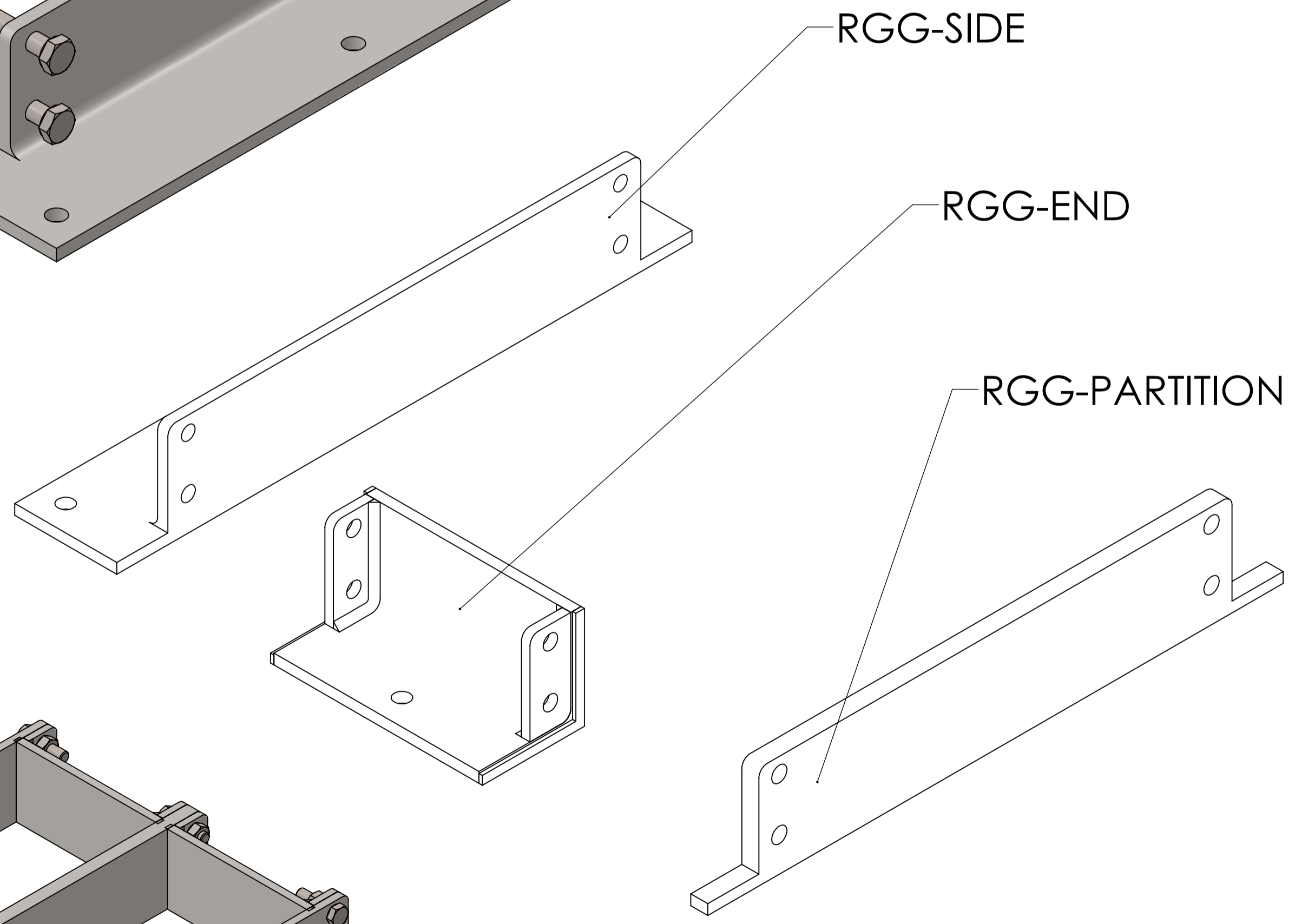
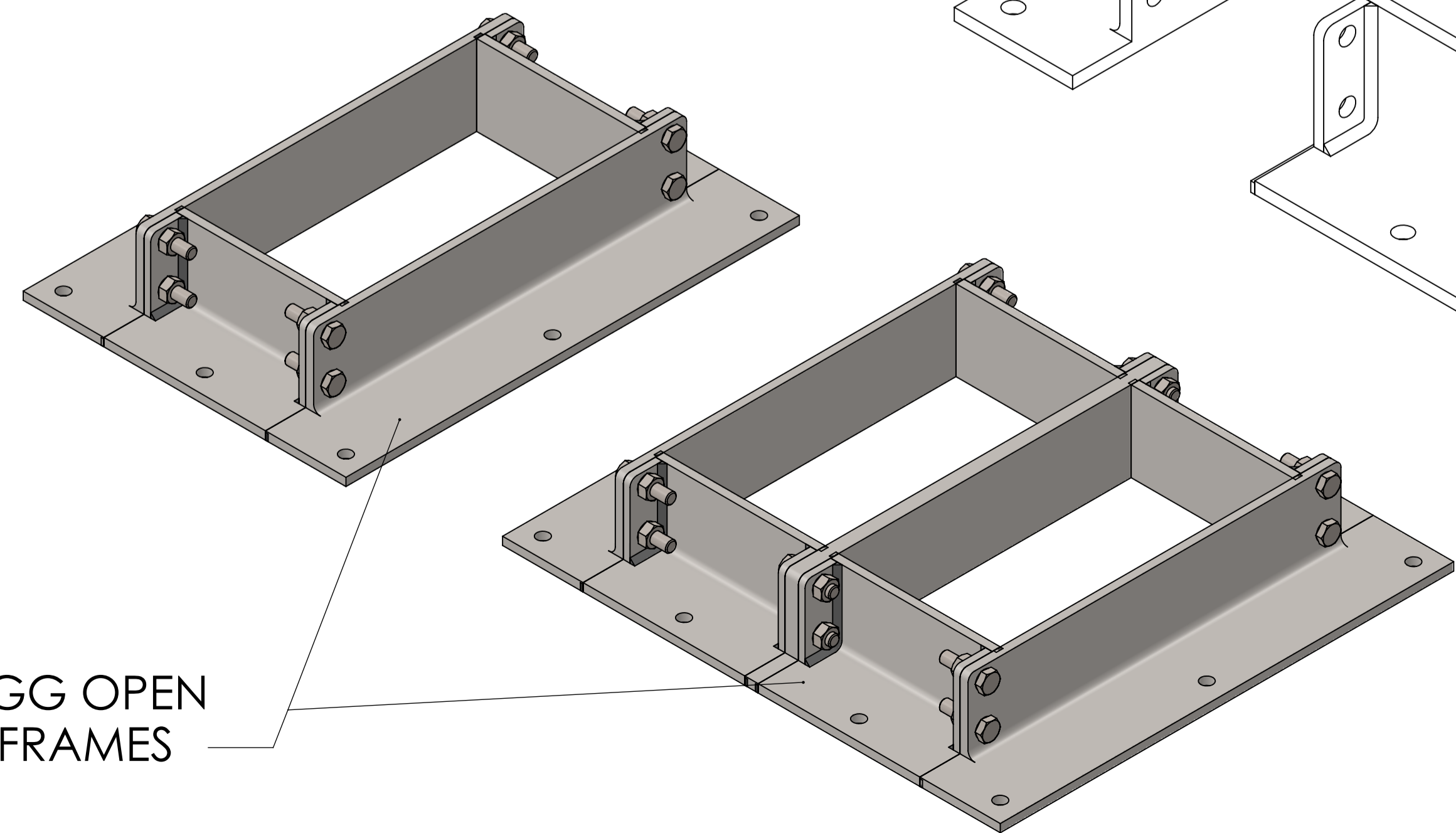
4: FINISH WITH A RGG-SIDE

2: SCREW THE RGG-SIDE TO THE TWO RGG-END



IF A SINGLE FRAME IS WANTED DO STEP 1: AND 2: THEN JUMP TO STEP 4:

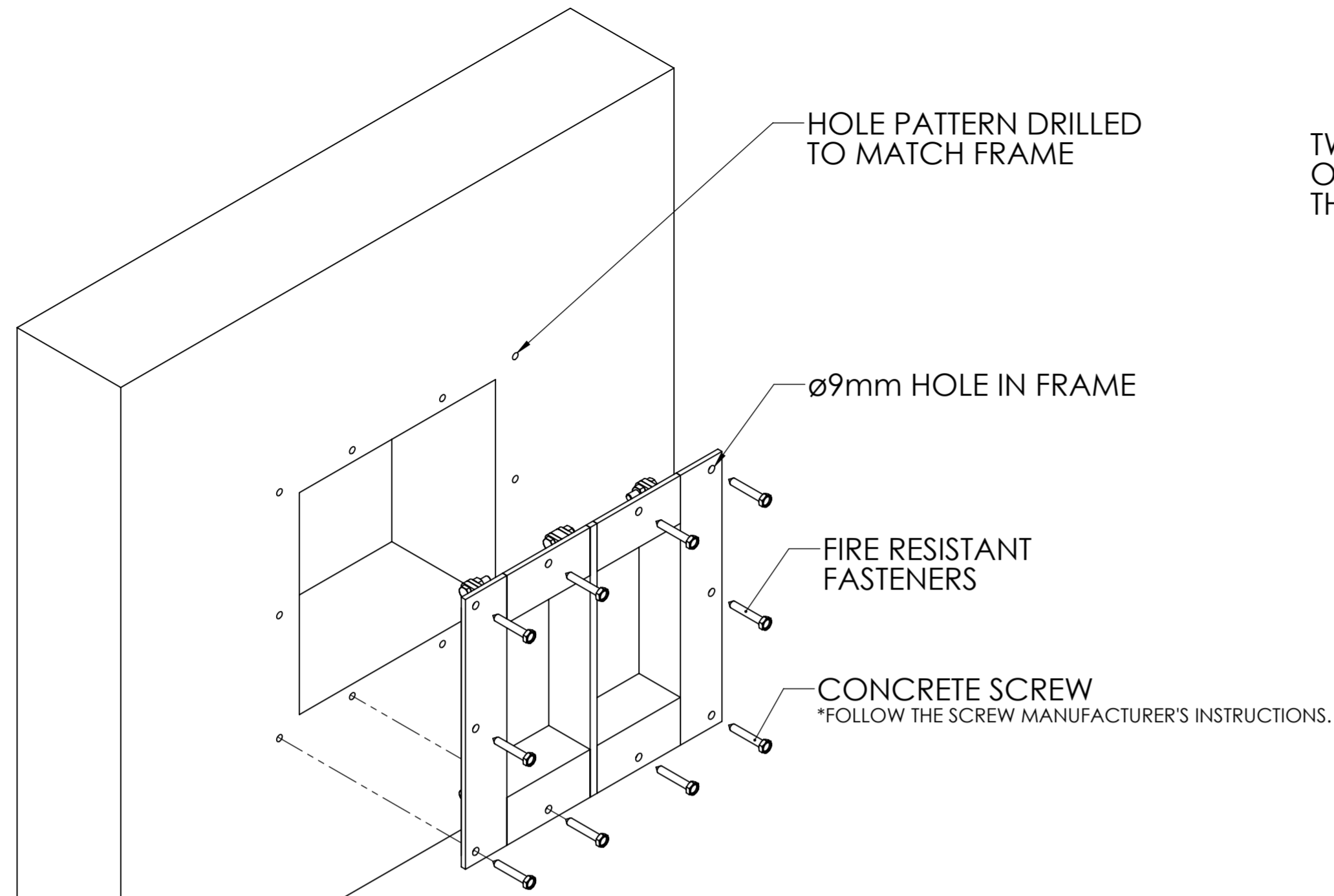
FINISHED ASSEMBLED RGG OPEN IN EXAMPLE x1 AND x2 FRAMES



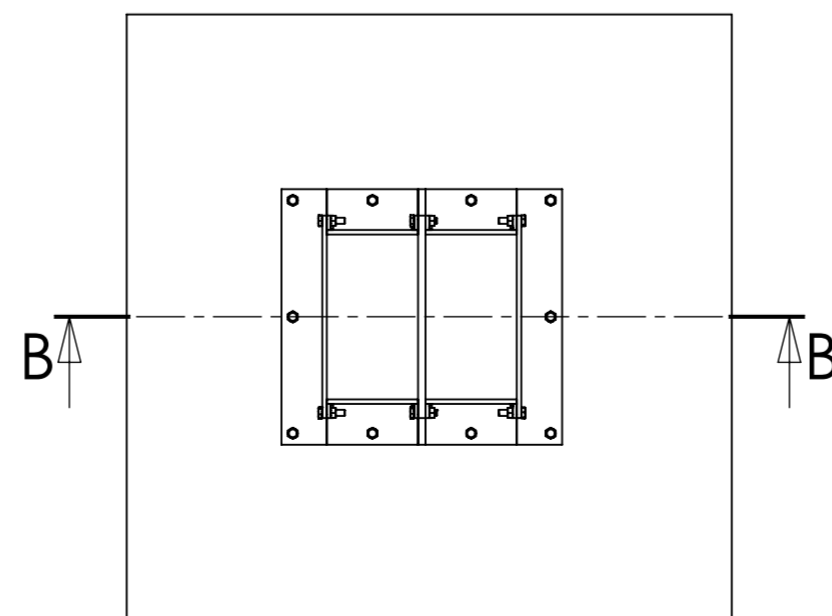
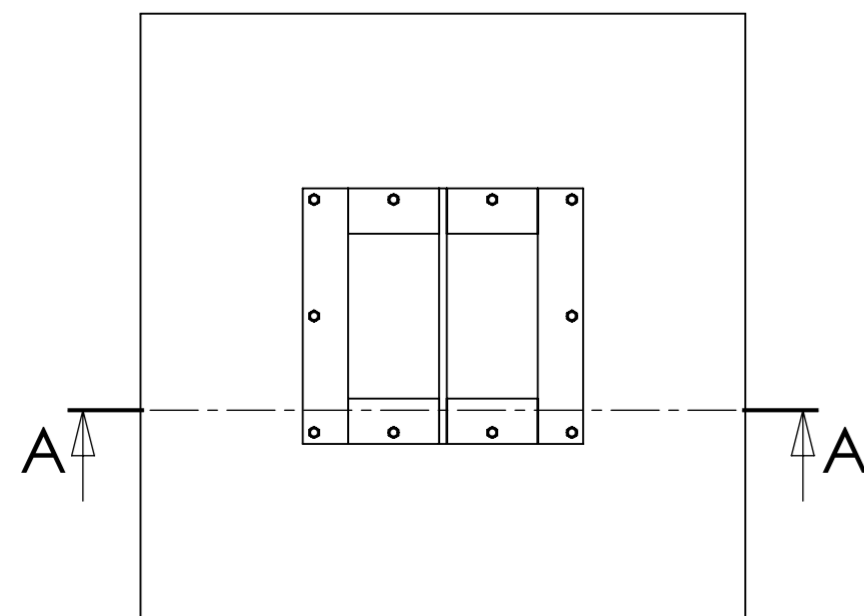
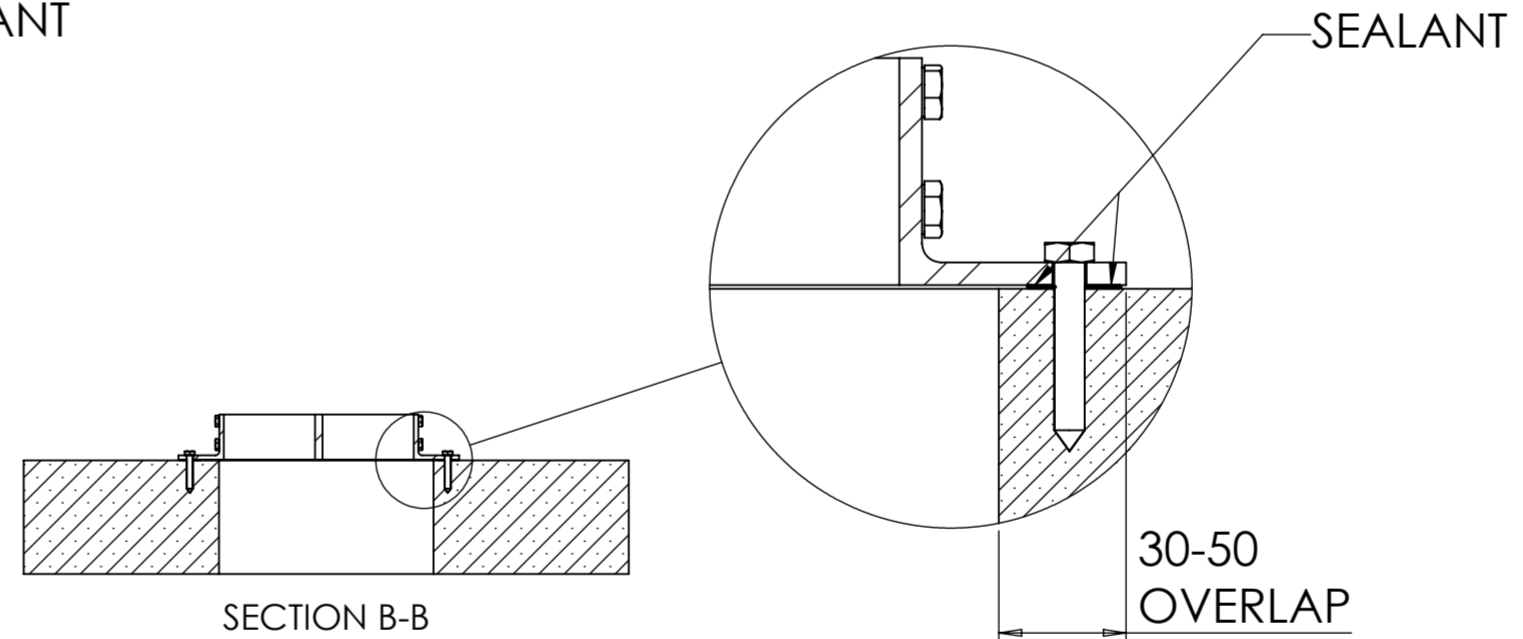
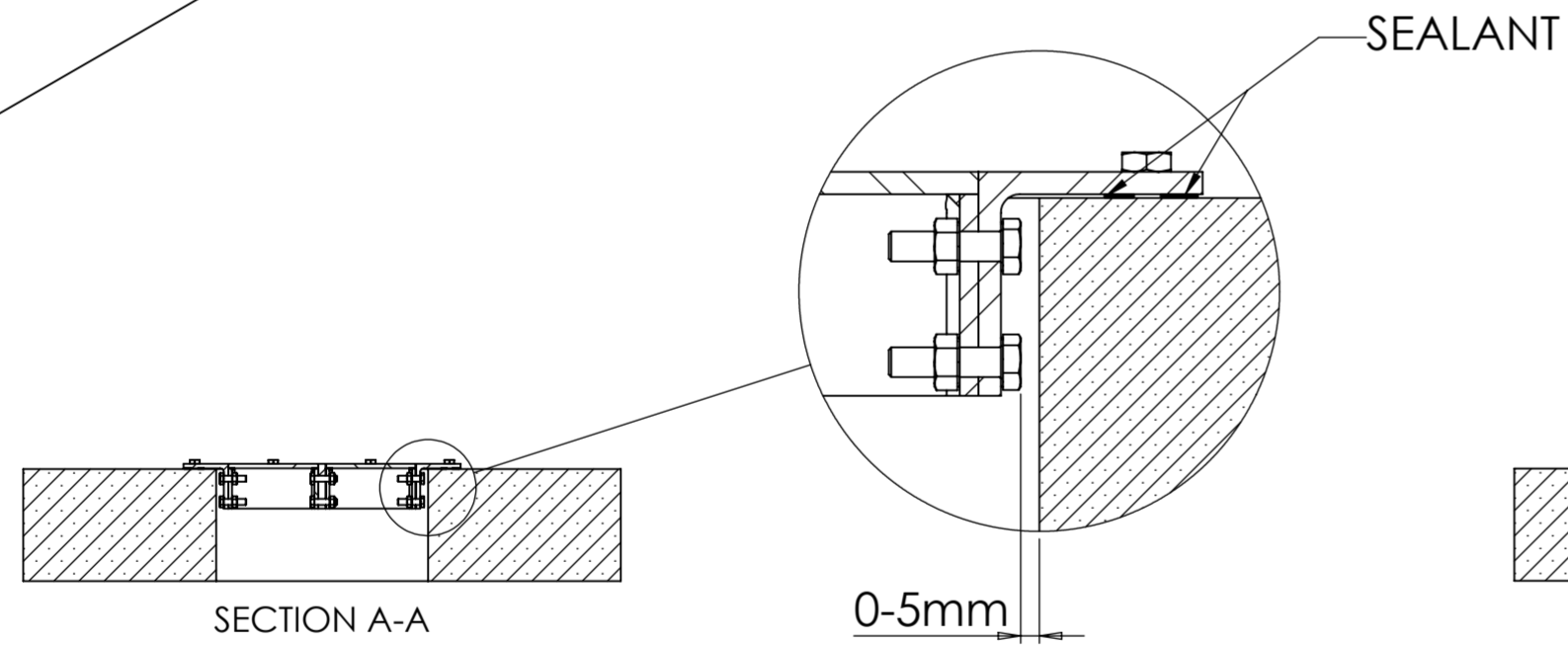
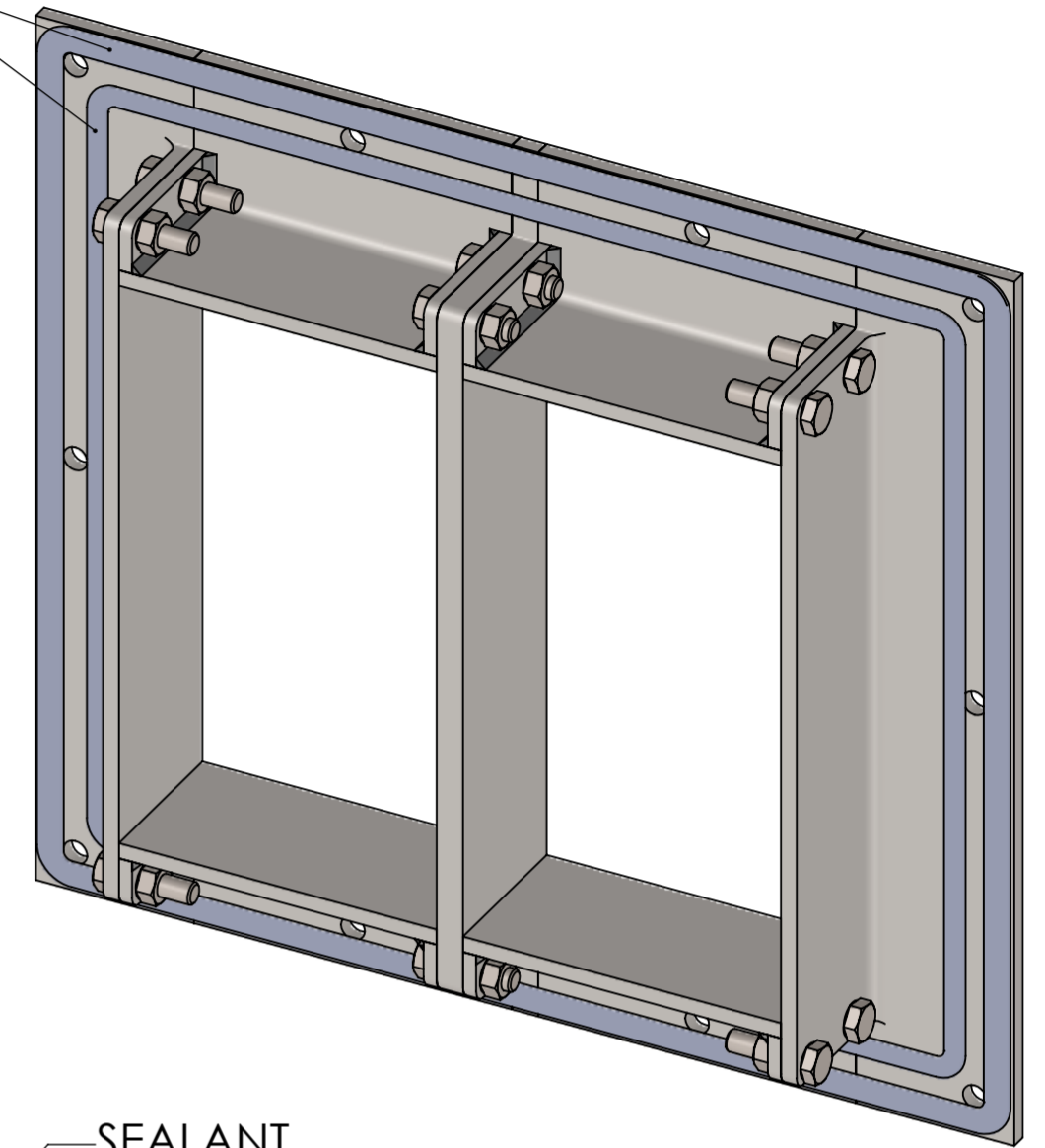
| Rev. Draw. | Rev. Desc. | Rev. Desc. | Rev. Desc. | Rev. Desc. | Tolerans där ej annat anges<br>Tolerance unless otherwise not stated | Småt. nr.<br>Assembly drawing no. | Erst. nr.<br>Replaces         | Erst. av<br>Replaced of  | Vikt<br>Weight         |
|------------|------------|------------|------------|------------|--|-----------------------------------|-------------------------------|--|------------------------|
| JA         | JA         | BJ         | LS         |            | Ytjämnhet där ej annat anges<br>Surface finish otherwise not stated  | Material                          |                               | Alla mått och uppgifter avser färdig produkt om ej annat anges<br>All measures and other information refer to finished products unless otherwise not stated. |                        |
| 210225     | 210623     | 210628     | 210628     |            |  |                                   |                               | Kund ordernr.<br>Customer order no.  |                        |
|            |            |            |            |            |  |                                   | ASSEMBLY INSTRUCTION<br>RGG-0 |  | Bitr. nr.<br>Draw. no. |
|            |            |            |            |            |  |                                   | 1210068                       | A  |                        |

THIS DOCUMENT MUST NOT BE COPIED WITHOUT OUR WRITTEN PERMISSION, AND THE CONTENTS THEREOF MUST NOT BE IMPARTED TO A THIRD PARTY WITHOUT OUR WRITTEN PERMISSION. THIS DOCUMENT IS NOT TO BE USED FOR ANY UNAPPROVED PURPOSE. CONTRAVENTION WILL BE PROSECUTED.

| REVISIONS |             |            |           |
|-----------|-------------|------------|-----------|
| REV.      | DESCRIPTION | DATE       | SIGNATURE |
| A         |             | 2022-06-20 | JA        |



TWO STRINGS OF SEALANT ON THE SIDE THAT IS FACING THE WALL / FLOOR



|                |                 |                      |                     |   |                                   |                                    |                |
|----------------|-----------------|----------------------|---------------------|---|-----------------------------------|------------------------------------|----------------|
| Ritad<br>Drawn | Kontr.<br>Check | Granskad<br>Reviewed | Godkänd<br>Approved | Tolerans där ej annat anges<br>Tolerance unless<br>otherwise not stated   | Smsl. nr.<br>Assembly drawing no. | Ersätter<br>Replaces               | E              |
| JA             | JA              | AK                   | BJ                  | Ytjämnhet där ej annat anges.<br>Surface finish otherwise not stated  | Material                          | Ersatt av<br>Replaced of           | Vikt<br>Weight |
| 220504         | 220620          | 220620               | 220620              | Alla mått och uppgifter avser färdig produkt om ej<br>annat anges.<br>All measures and other information refer to<br>finished products unless otherwise not stated. |                                   | Kund ordernr.<br>Customer order no |                |
|                |                 |                      |                     | BOLTING INSTRUCTION<br>RGG-0<br>CONCRETE WALL   |                                   | Ritn. nr.<br>Draw. no.             | Rev.           |
|                |                 |                      |                     |   |                                   | 1220174                            | A              |