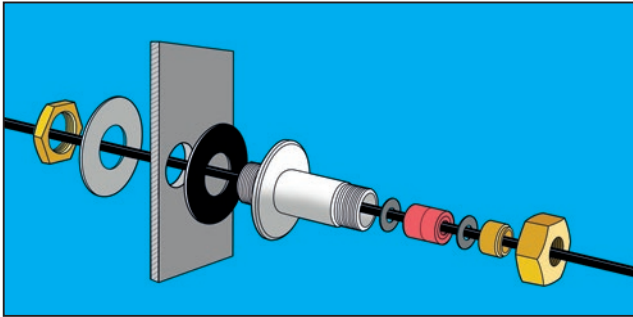
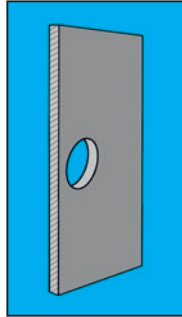


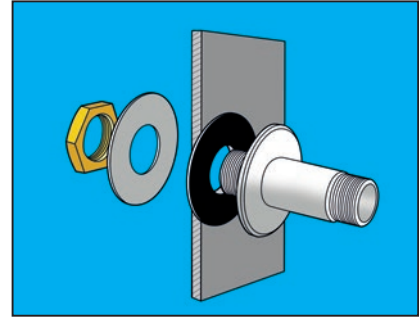
Deck and bulkhead Installation Guide



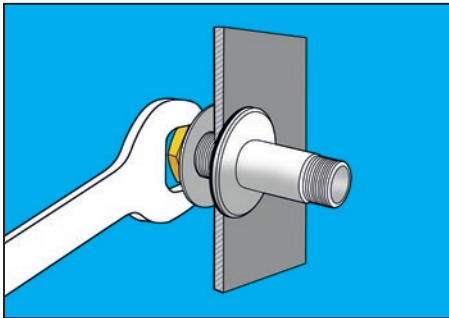
Standard Gland parts.



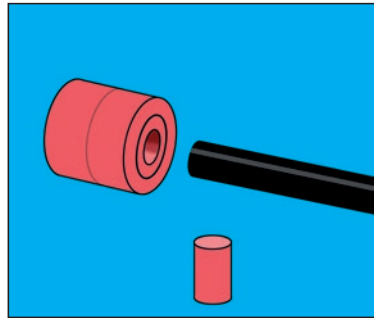
1 Clearance hole = Thread diameter + 2 mm max.



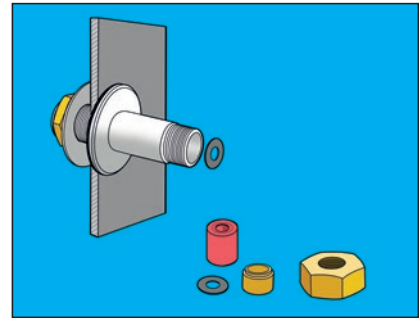
2 Fit the gasket and washer.



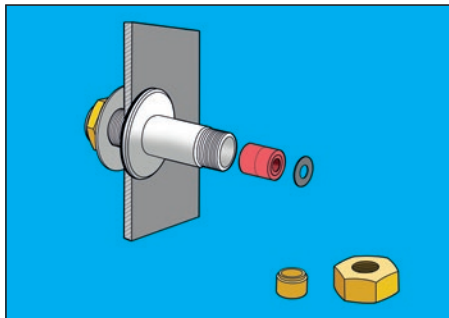
3 Tighten the lock nut.



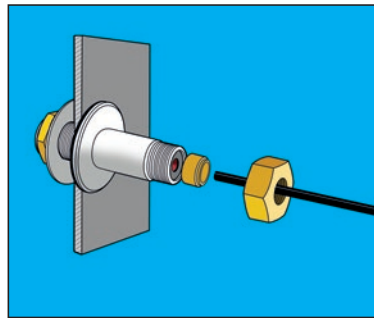
4 Remove the minimum number of rings to allow cable to pass through the seal.



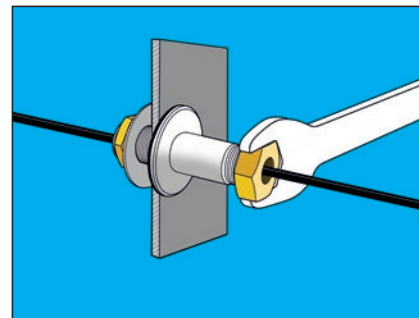
5 Size the first washers to cable and insert it if required.



6 Push seal into place.



7 Size the second washer to the cable and insert it to the cable if required



8 Push cable through assembled gland and tighten nut.

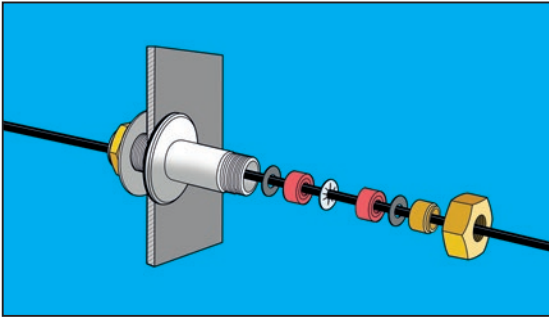
Glands may be welded to the deck / Bulkhead.

First remove electroplating from the edges of flange to create a clean surface.

It is recommended that a full weld is completed around the Gland on both sides of the Deck / Bulkhead.

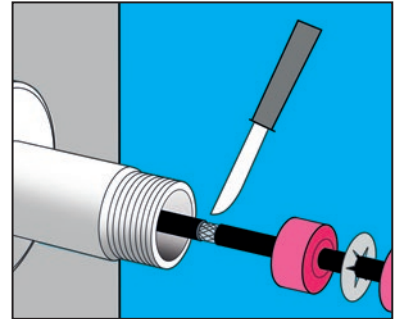
No Gasket/External washer or Locknut are required.

Remove any paint and debris from the bulkhead/deck between steel-washer and gland, make sure the surface is clean prior to installation to ensure continuity.

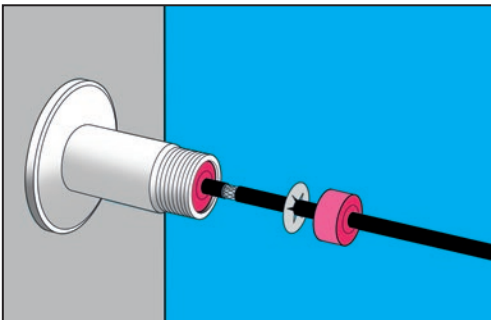


EMC Conversion parts.

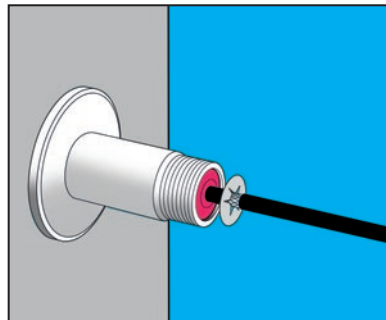
See figure 1-3 on the left page and then continue on this page, figure 4-11.



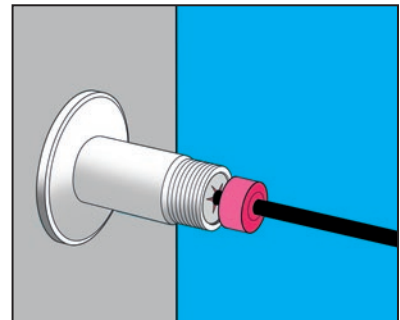
4 Pull cable through gland and carefully trim 5 mm of outer sheath.



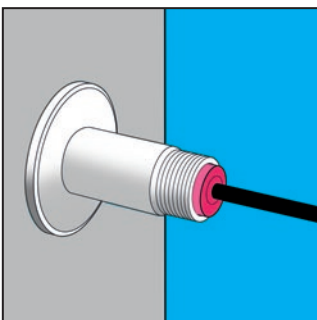
5 Push first piece of seal into place.



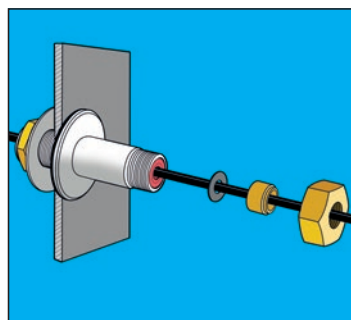
6 Slide EMC piece over cable until contacts with cable braid.



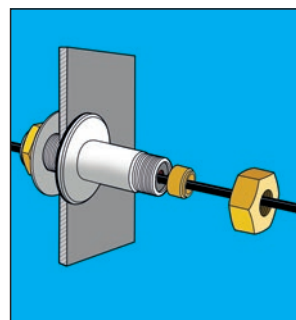
7 Slice 2nd piece of seal over cable.



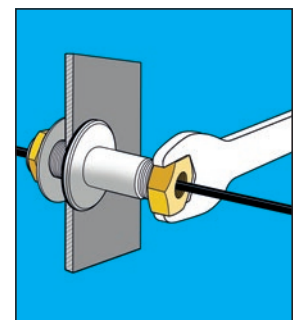
8 Carefully push complete seal and cable back into gland maintaining EMC contact.



9 Carefully push complete seal and cable back into gland maintaining EMC contact.



10 Size the second washer to the cable and insert it to the gland if required



11 Push cable through assembled gland and tighten nut.

Glands may be welded to the deck / Bulkhead.
 First remove electroplating from the edges of flange to create a clean surface.
 It is recommended that a full weld is completed around the Gland on both sides of the Deck / Bulkhead.
 No Gasket/External washer or Locknut are required.