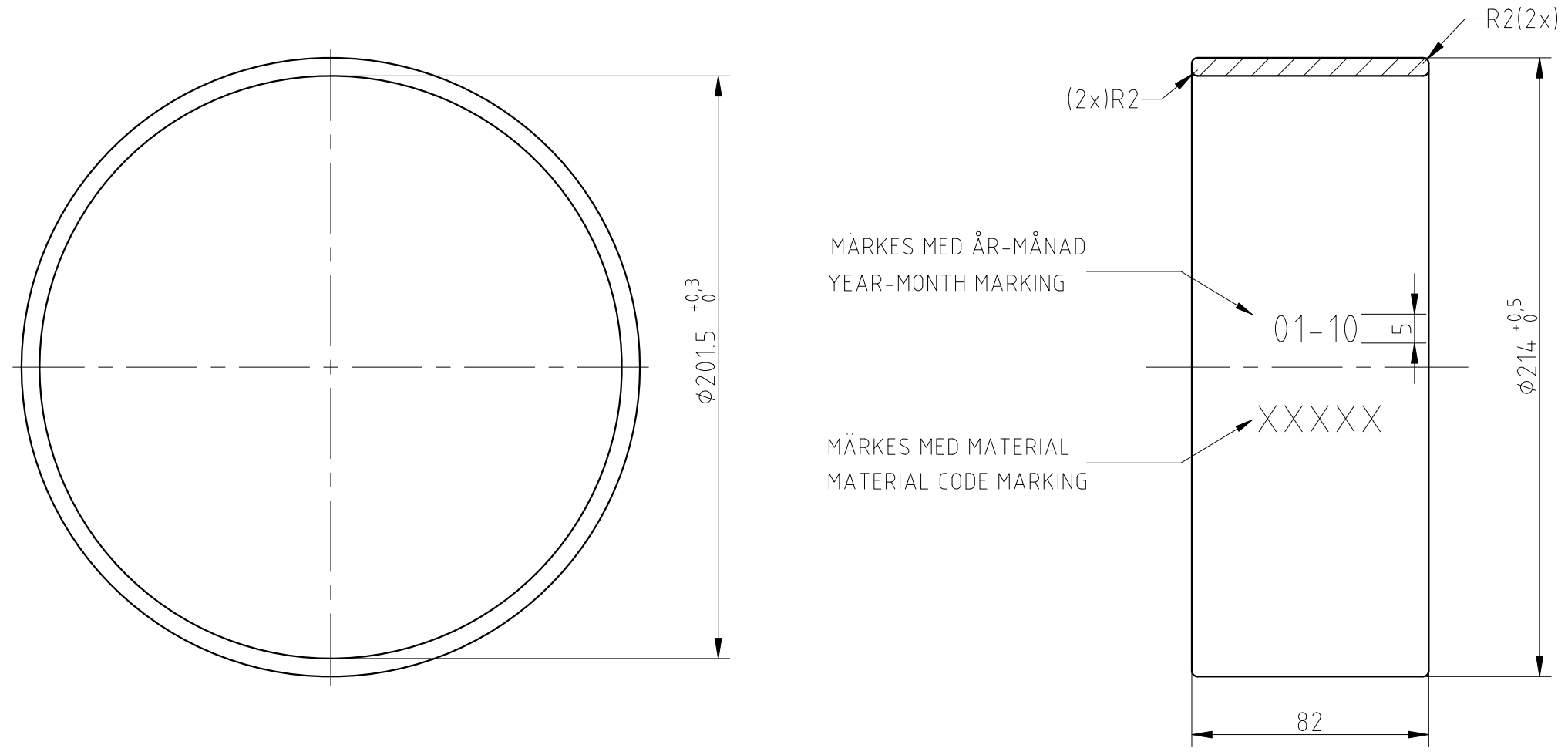


THIS DOCUMENT MUST NOT BE COPIED WITHOUT OUR WRITTEN PERMISSION, AND THE CONTENTS THEREOF MUST NOT BE IMPARTED TO A THIRD PARTY NOR BE USED FOR ANY UNAUTHORIZED PURPOSE. CONTRAVENTION WILL BE PROSECUTED.

Nr No	Orienterings- ruta Orientation square	Ändring eller meddelande Revision or message.	Ändr. v Rev./week	Sign.	Godkänd Approved
B		YEAR-MONTH MARKING ADDED	0143	RH	TF
C		MATERIAL CODE MARKING	0434	BO	TF
D-E		REVIEW LETTER CORRECTED	0711	BO	TF
F		ATEX TEXT ADDED	0805	BO	TF
G		MATERIAL UPDATED	0949	BO	TF
H		CHANGED MATERIAL AND DESIGNATION	1213	AK	TF



WARNING: THIS IS A CERTIFICATE RELATED PRODUCT.
 ANY CHANGES ARE NOT PERMITTED WITHOUT REFERENCE
 TO THE AUTHORIZED PERSON.

Pos nr Pos no	Antal No.	Benämning Title		Best. nr./ Ritn. nr / Dimension / material Order no. / Draw. no. / Material		Note Note
Ritad Drawn	Kontr. Check.	Granskad Reviewed	Godkänd Approved	Tolerans där ej annat anges Tolerance unless otherwise not stated.	Smst. nr. Assembly drawing no.	Ersätter Replaces
BO	AK	TF	TF	ISO 2768m		Ersatt av Replaced of
990209	120326	120328	120328	Ytjämnhet där ej annat anges Surface finish otherwise not stated.		Vikt Weight
				Ra 3,2		Alla mått och uppgifter avser färdig produkt om ej annat anges All measures and other information refer to finished products unless otherwise not stated.
				PIPE SLEEVE S-200		Kund ordernr. Customer order no.
						Ritn. nr. Draw. no.
						130910
						H