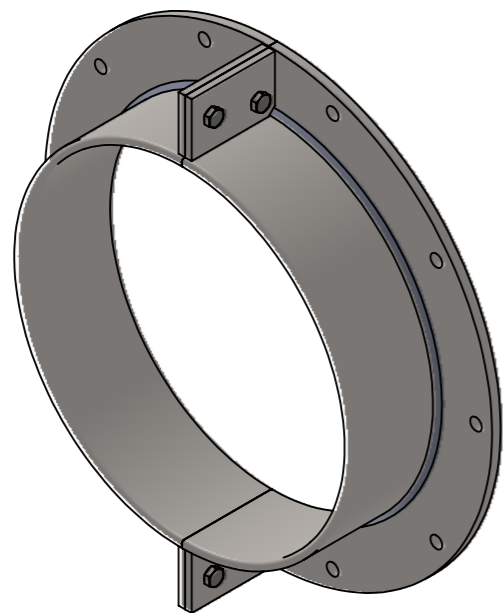
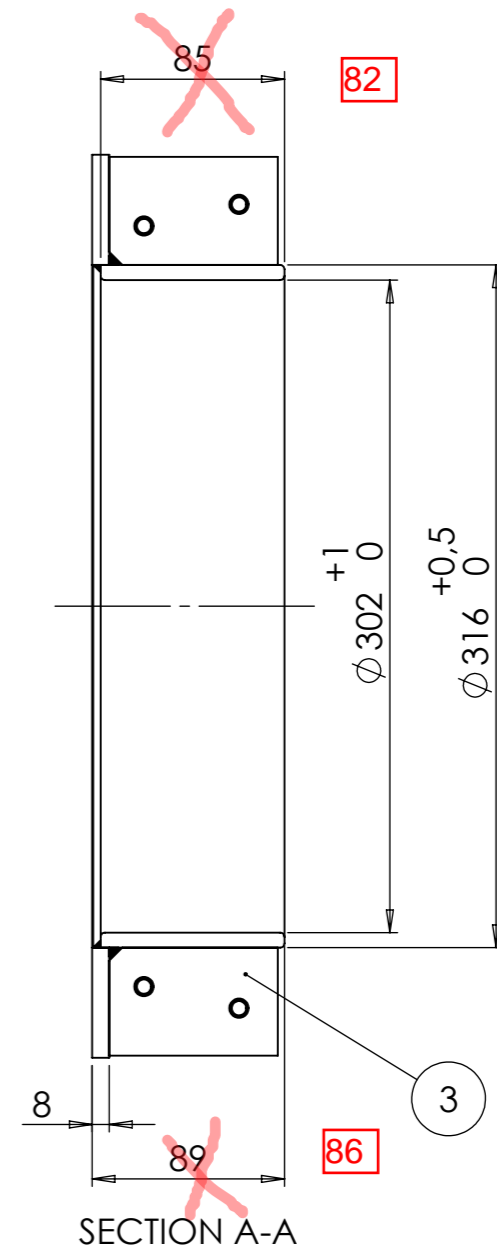
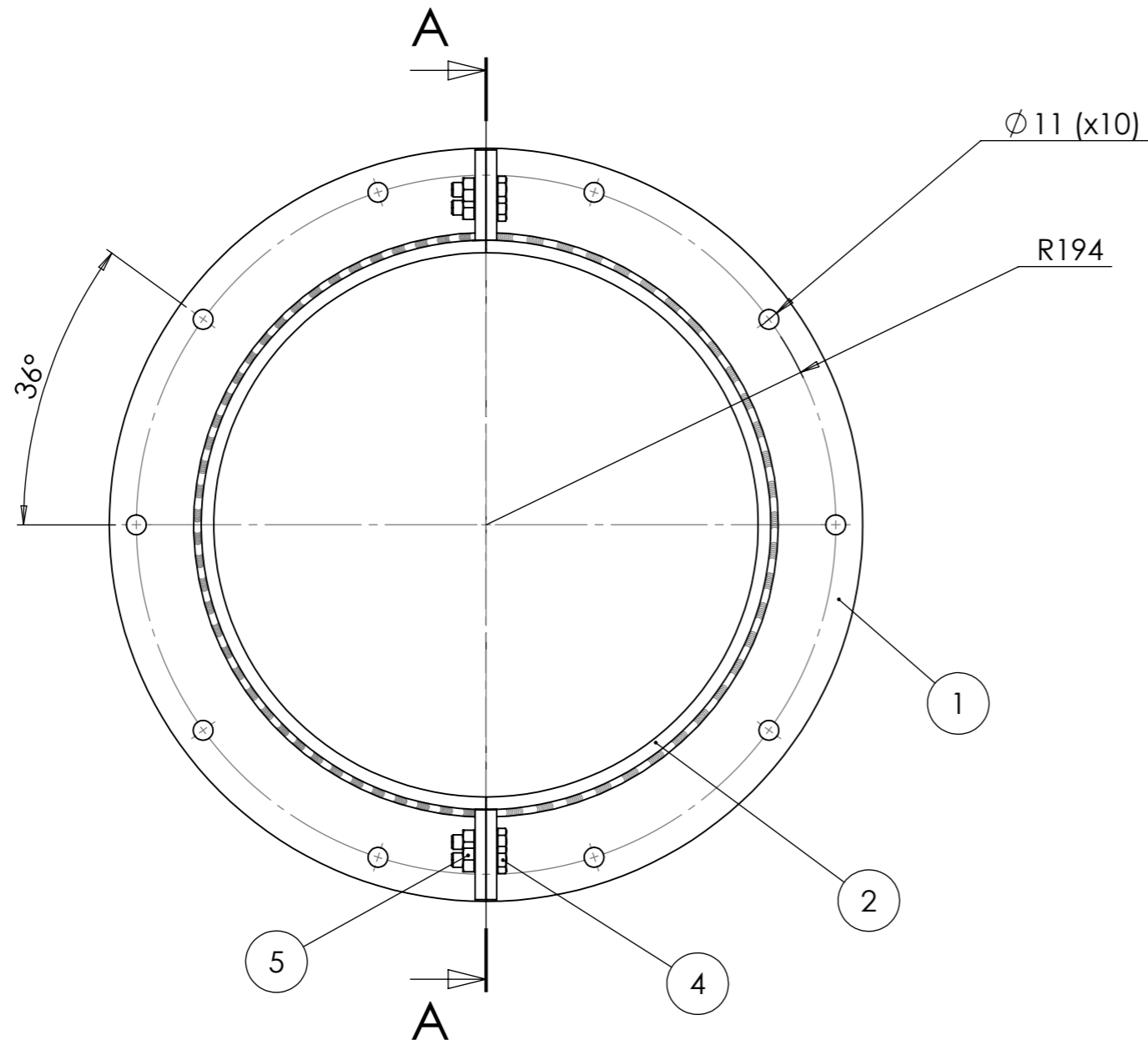


THIS DOCUMENT MUST NOT BE COPIED WITHOUT OUR WRITTEN PERMISSION, AND THE CONTENTS THEREOF MUST NOT BE IMPARTED TO A THIRD PARTY NOR BE USED FOR ANY UNAUTHORIZED PURPOSE. CONTRAVENTION WILL BE PROSECUTED.

| REVISIONS | | | |
|-----------|-------------|------------|-----------|
| REV. | DESCRIPTION | DATE | SIGNATURE |
| A | | 2020-04-08 | JA |



| ITEM NO. | TITLE | DRAW. No. / DESCRIPTION / MATERIAL | QTY. |
|--|-----------------|------------------------------------|---|
| 1 | FLANGE | 1200156 | 1 |
| 2 | PIPE SLEEVE-300 | 130446 | 1 |
| 3 | PLATE | 140871 | 4 |
| 4 | SCREW | ISO 4017 - M8 x 25 | 4 |
| 5 | NUT | ISO 4032 - M8 | 4 |
| Ritad Drawn | Kontr. Check | Granskad Reviewed | Godkänd Approved |
| JA | JA | LS | ML |
| 2004.07 | 2004.08 | 2004.14 | 2004.14 |
| Tolerans där ej annat anges Tolerance unless otherwise not stated. | | Smst. nr. Assembly drawing no. | Ersätter Replaces |
| ISO 13920-BF | | | 110086 |
| Ytjämnhet där ej annat anges. Surface finish otherwise not stated. | | Material | Vikt Weight |
| | | | 8,9 KG |
| SFRBO-300 | | | Alla mått och uppgifter avser färdig produkt om ej annat anges. All measures and other information refer to finished products unless otherwise not stated. |
| Kund ordernr. Customer order no | | | |
| Ritn. nr. Draw. no. | | | Rev. |
| 1200157 | | | A |

