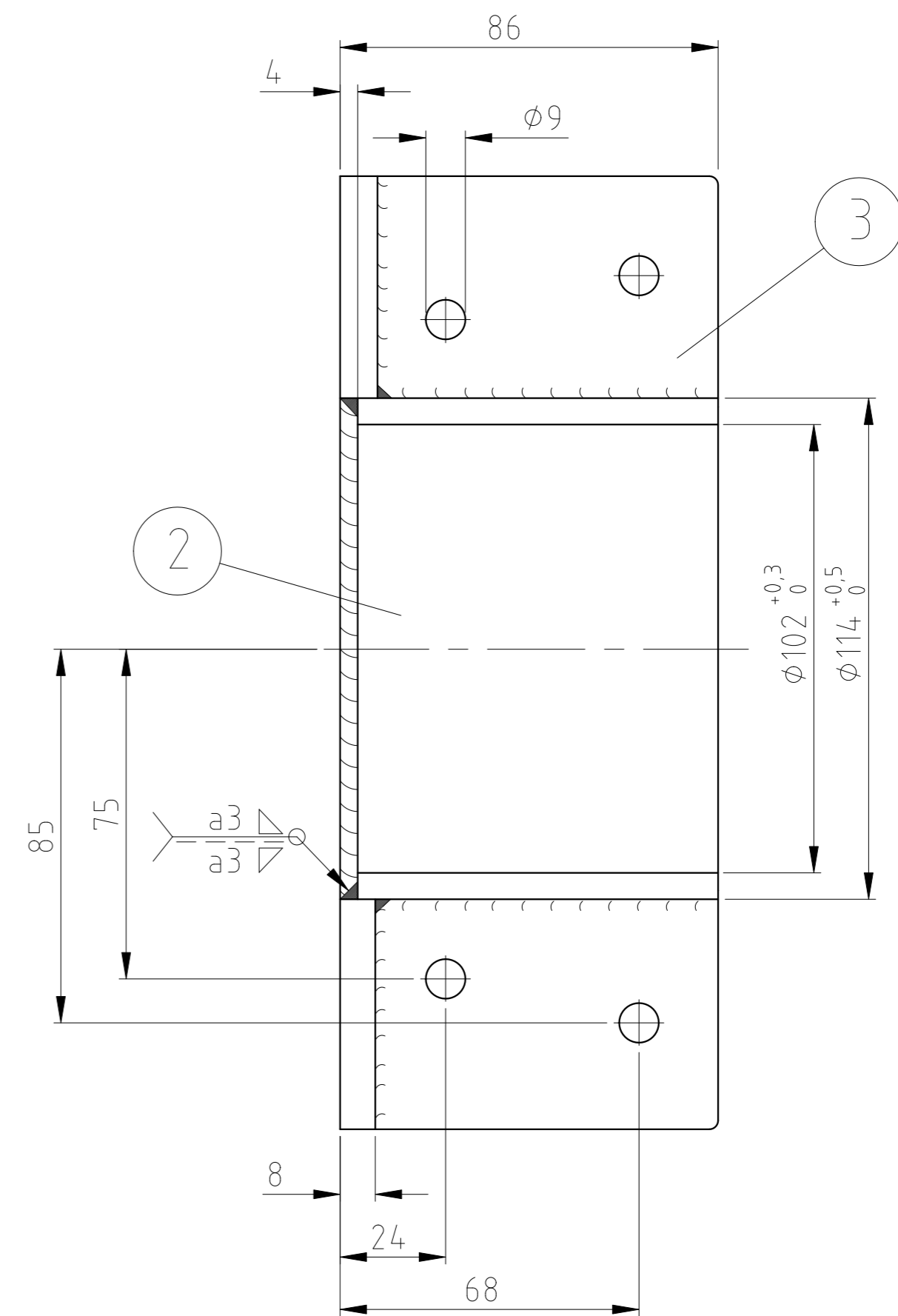
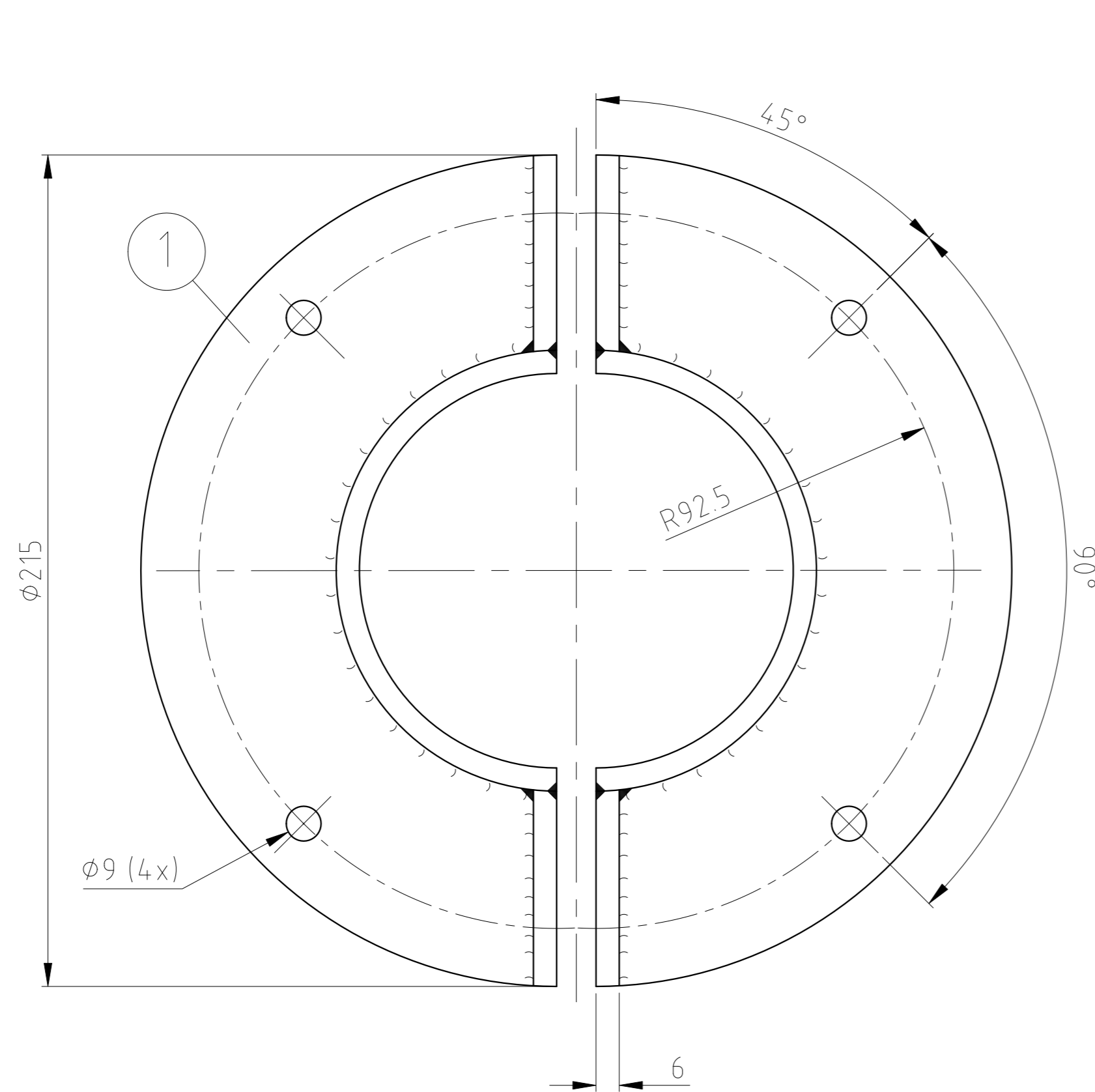


THIS DOCUMENT MUST NOT BE COPIED WITH-
 OUT OUR WRITTEN PERMISSION, AND THE CON-
 TENTS THEREOF MUST NOT BE IMPARTED TO A
 THIRD PARTY NOR BE USED FOR ANY UNAUTHOR-
 ISED PURPOSE. CONTRAVENTION WILL BE PROS-
 ECUTED.



| Nr No | Ändrings- ruta Orientation square | Ändring eller meddelande Revision or message. | Ändr. v Rev./week | Sign. | Godkänd Approved |
|----------|--|--|----------------------|-------|---------------------|
| A | | CHAMFER CANCELLED | 9736 | BO | TF |
| B | | FLANGE DIAMETER CHANGED FROM $\phi 175$ $\phi 215$ | 9945 | BO | TF |
| C-D | | DRAWING FORM CHANGED, MATERIAL UPDATED | 0937 | BO | TF |
| E | | CHANGED HOLE PATTERN, INCR. LENGTH FROM 73 | 1327 | AK | TF |
| F | | CHANGED HOLE PATTERN AND FROM 6 TO 4 HOLES | 1839 | JA | LS |

| | | | | |
|---|---|--------|------------------------|------------------|
| 3 | 4 | PLATE | S355, 316L, EN AW-6082 | DRAW No: 140871 |
| 2 | 1 | SLEEVE | S355, 316L, EN AW-6082 | DRAW No: 103320 |
| 1 | 1 | FLANGE | S355, 316L, EN AW-6082 | DRAW No: 1180251 |

| Pos nr Pos no | Antal No. | Benämning Title | | Best. nr./ Ritn. nr / Dimension / material Order no. / Draw. no. / Material | | Note Note |
|------------------|-----------------|----------------------|---------------------|--|-----------------------------------|--|
| Ritad Drawn | Kontr. Check | Granskad Reviewed | Godkänd Approved | Tolerans där ej annat anges Tolerance unless otherwise not stated. | Smst. nr. Assembly drawing no. | Ersätter Replaces |
| BO | JA | LS | ML | ISO 13920 BF | | Ersatt av Replaced of |
| 960403 | 180924 | 180924 | 180926 | Ytjämnhet där ej annat anges Surface finish otherwise not stated. | | Vikt Weight |
| | | | | SFRBO-100 | | Alla mått och uppgifter avser färdig produkt om ej annat anges All measures and other information refer to finished products unless otherwise not stated. |
| | | | | | | Kund ordernr. Customer order no |
| | | | | | | Ritn. nr. Draw. no. |
| | | | | | | 103331 |
| | | | | | | Rev. F |

THIS IS A CERTIFICATE RELATED PRODUCT NO CHANGES WITHOUT REFERENCE TO THE AUTHORISED PERSON.

MCT
BRATTBERG